

SP-TL26 Thermal Label Printer Use's Manual

VER 1.01



Beijing Spirit Technology Development Co., Ltd

www.sprt-printer.com

Content

Precautions	1
Safety Precautions	1
Precautions for use	1
Storage Precautions	2
Chapter 1 Printer Appearance and Model	3
1.1 Appearance	3
1.2 Model	4
Chapter 2 Performance Characteristics	5
2.1 Printing Specification	5
2.2 Paper Roll	5
2.3 Print Character	5
2.4 Physical Parameters	6
2.5 Environmental Parameters	6
2.6 Other Specification	6
Chapter 3 Operation Instruction	6
3.1 Operation steps	6
3.1.1 Paper loading	6
3.1.2 Replacing the rubber roller	7
3.2 Basic functions instruction	8
3.2.1 Power on	8
3.2.2 Power off	8
3.2.3 Self test	8
3.2.4 Paper feed (manual paper feed)	9
3.2.5 Hexadecimal printing	9
3.2.6 Printer parameter settings	9
3.2.7 Factory reset	10
3.2.8 Calibration sensor setting	10
3.2.9 Program upgrade	11
3.2.10 DHCP Function Setup (SP-TL26UE)	11
3.3 Interface connection and Printing	11
3.3.1 Power Interface	11
3.3.2 USB Connection	12
3.3.3 Ethernet Connection	12
3.3.5 Cash Drawer Interface	14
3.4 Buzzer Description	14
3.5 Indicator Light Description	14
Chapter 4 Other Information	15
4.1 Development Manual	15
4.2 Cleaning and Maintenance	15
Appendix A	16

Precautions

Please read this chapter carefully before using the printer!

Safety Precautions

- ◆ Do not touch the print head and its connecting parts to avoid burns or damage to the print head due to static electricity.
- ◆ If the printer emits smoke, smells or makes abnormal noises, please turn off the printer immediately and cut off the power supply. Continued use may cause fire. At the same time, please contact the seller or the Smart Customer Service Center as soon as possible to inquire about the solution to the problem.
- ◆ Do not disassemble the machine by yourself. Improper repairs are dangerous and will void your supplier's warranty.
- ◆ Please use the power adapter provided by the supplier or conforming to the specifications. Improper power adapters can damage the printer and cause a fire.
- ◆ Prevent foreign objects from entering the printer, so as not to damage the machine components, which may even lead to fire and accidents.
- ◆ If water or other liquids flow into the printer, please cut off the power immediately, and contact the dealer or the Smart Customer Service Center as soon as possible to ask for the solution to the problem. Continued use may cause a fire.

Precautions for use

- ◆ The printer should not be immersed in water or exposed to rain, otherwise the printer may be damaged.
- ◆ Do not open the paper compartment cover during printing, otherwise the printer may not work properly.
- ◆ When using the USB interface to print, do not unplug the USB cable during the printing process,

otherwise the print data may be incomplete. When using Bluetooth to print, the distance should not exceed 10 meters during the printing process, otherwise it may cause garbled characters to be printed or unable to print.

- ◆ Although the printer can work stably at 0°C to 50°C, high ambient temperature (45°C) or too low ambient temperature (5°C) will result in reduced print quality.
- ◆ Excessive ambient humidity (above 85% relative humidity) or too low ambient humidity (below 20% relative humidity) will result in reduced print quality.
- ◆ Using poor-quality printing paper or printing paper that has been stored for a long time may reduce the printing quality and even damage the printer.
- ◆ When the printer prints labels, it is required that the labels do not exceed the maximum designed by the printer, otherwise the printer may not work properly.

Storage Precautions

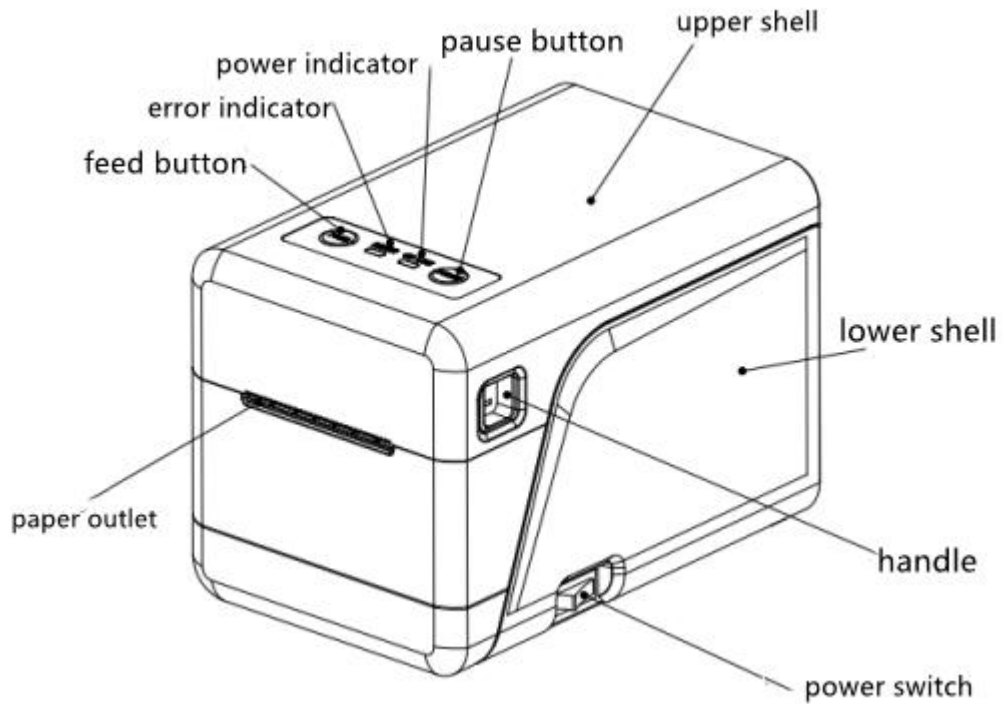
- ◆ The printer should be stored in an environment with a temperature of -20°C to 60°C and a relative humidity of 10% to 90%.

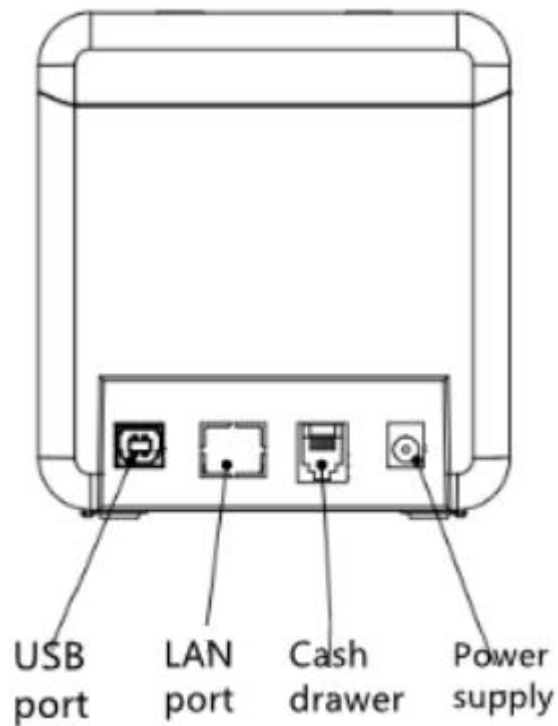
Statement

This is a Class A product, which may cause radio interference in a living environment. In this case, the user may be required to take practical measures for the interference.

Chapter 1 Printer Appearance and Model

1.1 Appearance





SP-TL26 Outlook

1.2 Model

Model	Description	Printing density
SP-TL26U	Support USB, cash drawer port	8dots/mm, 384dots/line
SP-TL26UE	Support USB, cash drawer port and LAN	
SP-TL26UBTD M	Support USB, cash drawer port and bluetooth(BLE)	

Chapter 2 Performance Characteristics

2.1 Printing Specification

Printing Method: Thermal line

Paper Width: 32mm--50mm (Lining paper)

Effective Printing Width: 48mm

Max. Label size: 48x90mm

Min. Label size: 30x30mm

Label Gap: 2-3mm

Resolution: 8dots/mm (203dpi)

Printing Speed: 127mm/s (Max)

Reliability:

TPH life: thermal label paper 30km

Working condition:

* ASCII: 12x24dots, 50 lines every time, intermittent repeat printing.

* Thermal label paper

2.2 Paper Roll

Paper Thickness: Label Paper: 0.12mm~0.15mm

2.3 Print Character

·GB18030(Chinese) , GB12345(traditional Chinese)

·ASCII: 12x24 and 9x17 dot matrix

·International character set and Code page: 12x24 and 9x17 dot matrix

·Self-defined character and figure;

·1D barcode: UPCA, EAN13, EAN8, CODE39, ITF25, CODABAR, CODE93,

CODE 128

·2D barcode: QR CODE

2.4 Physical Parameters

Dimension: 185(L)X116(W)X125(H)mm

Physical Weight: 747g (excluding roll paper)

Paper Roll Diameter: ≤80mm

Interface: USB, Bluetooth, Ethernet

2.5 Environmental Parameters

Operating Temp: 0°C~50°C

Operating Humidity: 10%~80%

Storage Temp: -20°C~60°C

Storage Humidity: 10%~90%

2.6 Other Specification

Paper Loading Method: please refer to details in 3.1.1 Paper Roll Installation.

Printing Control Command: TSPL command set.

(Refer to<SP-TL26 Printer Command Manual >for details).

Power Supply: DV12V±5%, 2A.

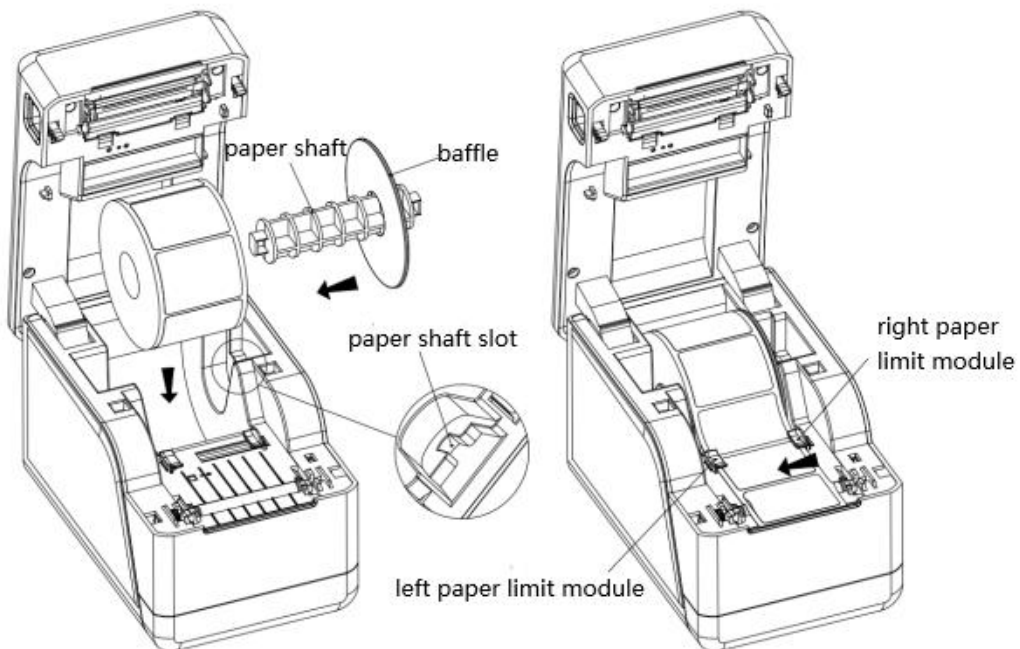
Chapter 3 Operation Instruction

3.1 Operation steps

3.1.1 Paper loading

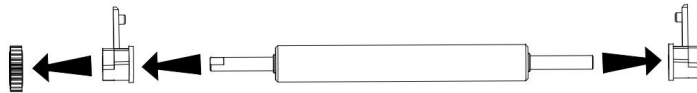
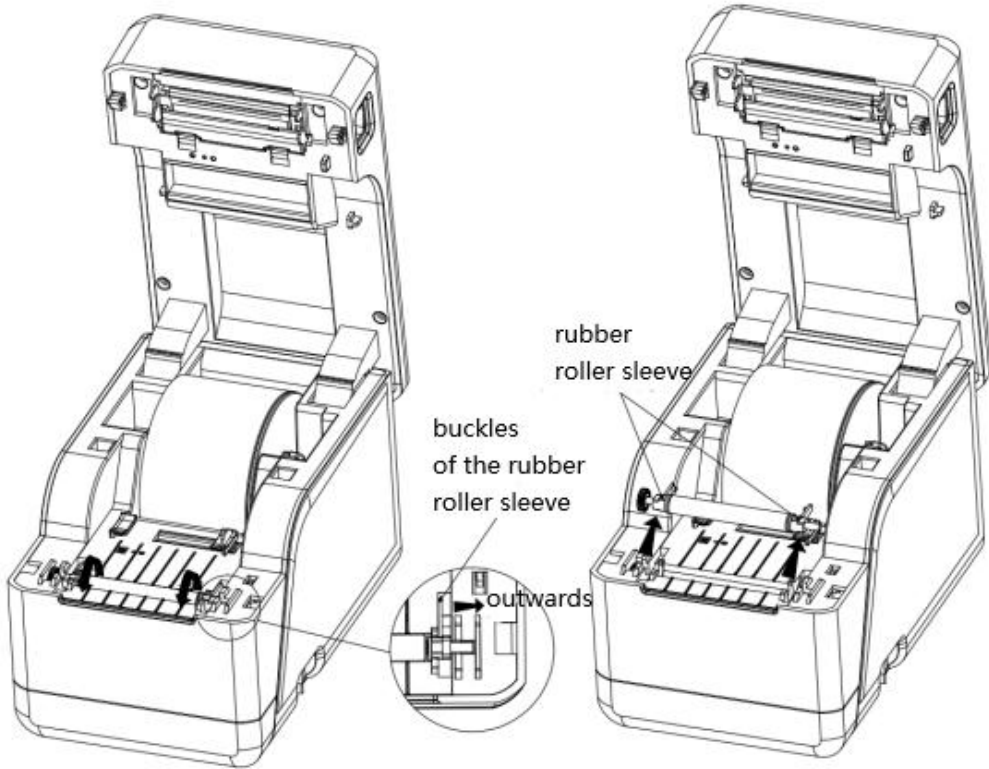
1. Open the paper cover and remove the paper shaft.
2. Pass the paper shaft through the core of the paper roll, and flick the baffle on the right side of the paper roll. Note that the thermal side of the paper is facing the print head.

3. Pull out part of the paper and put the paper roll into the paper shaft slot which inside the paper compartment, turn the baffle to place the paper roll on the left, place the protruding paper into the channel of the paper limit modules. Then flick the right paper limit module to close to the paper and confining the paper in the passages of the two paper limit module, which can make the paper slide smoothly, and the paper also will not sway freely during the printing process.
4. When close the paper cover, minimize the length of label paper which left outside. It can reduce the waste of the paper roll.



3.1.2 Replacing the rubber roller

1. Open the upper cover, press the buckles of the rubber roller sleeve outwards from the left and right sides, after releasing the buckle, rotate it in the direction shown in the figure and take out the rubber roller assembly in parallel upward.
2. Manually remove the gears and sleeve from both sides, and replace with new rubber rollers. The direction of the sleeve remains unchanged, and the assembly can be reversed according to the above steps.



3.2 Basic functions instruction

3.2.1 Power on

Press“-” side of the power button on the right side of the printer to power on. You'll hear a alarm ”didi” when the printer start working.

3.2.2 Power off

Press “0” side of the power button on the right side of the printer to power off.

3.2.3 Self test

User can print Self test anytime to make sure the right setting and working mode of printers.

Following are the steps to print Self test:

- 1.Please make sure the printer is power off , press and hold **【FEED】** button then power on the

printer.

2. Release **【FEED】** when you hear the alarm “didi” then you can get self test page.

3.2.4 Paper feed (manual paper feed)

In the power-on state, use the label paper, press **【FEED】** button, the printer forwards the paper to find the label gap and stop, if it is not the label paper, then it will forward the paper and stop after forwarding 4 inches (about 202 mm), and report lack of paper error. **【FEED】** key defaults to the paper forwarding button, which can be blocked or switched to the printing button by commands.

3.2.5 Hexadecimal printing

The hexadecimal printing function is to print out the data received from the host computer with hexadecimal numbers and their corresponding characters to facilitate debugging applications.

Enter into Hexadecimal Printing mode: Under power off status, press **【FEED】** and **【PAUSE】** buttons then power on. Release the two buttons when you hear the alarm “didi”. “Hexadecimal Dump” will be printed out which means the printer entered into Hexadecimal Printing mode.

Exit hexadecimal Printing mode: Power off printer or press **【FEED】** 3 times to exit Hexadecimal Printing model. When “***Completed***” is printed means the printer exit the Hexadecimal Printing mode successfully.

3.2.6 Printer parameters settings

The printer parameters can be set by two ways: Set by buttons or by setting tool.

By buttons

a. Make sure the printer is power off, press and hold **【FEED】** and **【PAUSE】** buttons and power on. After hearing the alarm “didi”, release **【FEED】** button and keep press **【PAUSE】**, then press **【FEED】** 2 times, “Parameter setup mode” will be printed out which means the printer has entered in to Parameter setup mode. (Details setting ways refer to Appendix Part A.)

Exit Parameter setup Mode: Press **【PAUSE】** first and then press **【FEED】**. Release **【PAUSE】** and **【FEED】**, the set parameters will be saved and “Exit Set Mode” will be printed, which means exit

the Parameter setup Mode. If you power off printer directly, the settings can not be saved.

By setting tool.

b. More parameters can be set by setting tool (SP-TL26 Setting tool). Parameters includes Language, font, default code page, Bluetooth device name and password for the printer etc. Details for setting tool and methods please refer to the TL26 software support doc.

***Remark:** The max width of label support 384dots/line. It is invalid if exceed 384dots.

3.2.7 Factory reset

If the printer does not work due to incorrect parameter settings, use the factory reset to restore the printer's settings parameters. Press and hold the **【PAUSE】** and **【FEED】**, power on the printer. After hearing the "Didi" power on sound, first release the **【FEED】**, keep press the **【PAUSE】**, press the **【FEED】** key three times continuously, the printer prints out the currently set parameter content, and at the end part print "Note: Set the recovery system to the default value. Press the **【FEED】** once to confirm. Direct shutdown cancel". Press the **【FEED】** to confirm the reset, power off to cancel the factory reset.

3.2.8 Calibration sensor setting

The printer is set with default values for the sensors, and when the default value does not match the print paper, there will be a failure to detect the state of the paper (for example, the label paper cannot distinguish between gaps and labels, etc.). The calibration function allows you to match the printer to the paper you are using.

When power off, open paper cover, press and hold **【PAUSE】** and power on. After hearing the "Didi" boot prompt tone, release **【PAUSE】**, after hearing the buzzer sound, close paper cover, the auto calibration mode is activated.. When calibration succeeded, the printer will print "Max Value", "Min Value", "Set Value", "Sensor Level" in turn. If failed, the printer paper will be forward ed 30cm. After finishing the calibration, printer will automatic restart.

3.2.9 Program upgrade

When the USB cable is connected to the computer, power on the printer, if the printer has no error reports, you can upgrade by the PC upgrade tool. Following are the steps to upgrading program..

1. Open "UpdateFirmware.exe"
2. Choose USB port, select the firmware file that needs to be upgraded, click "Start", and wait

until the data update is completed, the printer will automatically enter the upgrade mode.

3. After the upgrade is completed, the printer automatically prints out the self-test and enters into the normal working mode.

Remark: Only USB Port support Program upgrade online.

3.2.10 DHCP Function Setup (SP-TL26UE)

1. Open DHCP function.

Press **【FEED】** and **【PAUSE】** simultaneously to power on. Wait till the blue and red light flash alternately, press **【FEED】** 6 times in a row to open DHCP function.

2. Enable to obtain the fixed IP of the current network segment

When the DHCP function opened, open the printer cover and press **【FEED】** one time, then close the cover. The printer will automatically obtain the fixed IP address of the current network segment and print it out;

3. Close DHCP Function (Restore the IP default parameters)

Press **【FEED】** and **【PAUSE】** simultaneously to power on, after the blue and red light flash alternately, release **【FEED】**. Press **【FEED】** four times in a row to turn off the DHCP function and restore the IP default parameters.

3.3 Interface connection and Printing

3.3.1 Power Interface

The rated supply voltage is 12V ± 5% DC, rated current is 2A. Use a desktop power outlet, positive inside and negative outside. Please use the standard power adapter to supply power.

3.3.2 USB Connection

The standard configuration of the SP-TL26 printer is equipped with a standard USB printer cable D-port data cable for connecting the printer to the main device. The printer's USB belongs to the slave device type (DEVICE);

The outline and pin definitions are as follows:

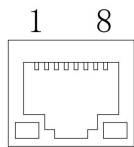


3.3.2 USB socket and pin assignment

Pin No.	Function	Remark
1	V Bus	—
2	Data -	Data Negative
3	Data +	Data Positive
4	GND	Power Ground

3.3.3 Ethernet Connection

SP-TL26UE support Ethernet port (RJ45). The outline diagram and pin definition are as follows.



Pin No.	Signal	Remark
1	TX+	Data Send Positive
2	TX-	Data Send Negative
3	Rx+	Data Receive Positive
4	—	—
5	—	—

6	Rx-	Data Receive Negative
7	—	—
8	—	—

3.3.4 Bluetooth Connection

Handheld devices, notebook computers, or other information terminals with a Bluetooth interface can drive SP-TL26 to print through the Bluetooth interface. The initial device name is TL26 BT Printer and the initial password is "1234". The user can use the <SP-TL26 setting tool software> to modify the device name and password as required. For the method of changing the device name and password, please refer to the help file of the <SP-TL26 setting tool software>.

Before the SP-TL26 printer works, it needs to be paired with the Bluetooth master device that controls the printer, and the pairing is initiated by the master device. The usual pairing process is as follows:

1. Turn on the printer,
2. The main device searches for external Bluetooth devices,
3. If there are multiple external Bluetooth devices, select "TL26 BT Printer"
4. Enter the password "1234"
5. Complete the pairing.

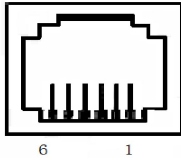
For the specific pairing method, please refer to the Bluetooth function description of the main device.

Note: SP-TL26 printer supports connecting Android devices and Apple 4.0 devices.

Notice:

- ① When pairing, the printer must be powered on.
- ② Once the Bluetooth device of the printer is successfully paired with the host Bluetooth device and establishes a link, it will no longer provide search and link services for other primary Bluetooth devices until it is disconnected from the host device that links it.

3.3.5 Cash Drawer Interface



3-3-4 Cash Drawer Interface

引脚号	信号	方向
1	Structure Site	——
2	Cash Drawer Drive Signal	Output
3	On/Off Signal of Cash Drawer	Input
4	+12V DC	——
5	NC	——
6	Signal Site	——

3.4 Buzzer Description

The printer has a buzzer, it will also give prompt information, the following is the meaning of the buzzer prompt information:

DiDi: Power on

3.5 Indicator Light Description

TL26 has two indicator lights, the blue **【ONLINE】** indicator is the power indicator, and the red **【ERROR】** indicator is the status indicator.

When the printer is working normally, the red **【ERROR】** indicator is off, and the meaning of the indicator flashing is as follows.

Error	Status of Error Indicator	Directions
Out of paper	Always bright	Change the printer paper or use suitable label paper
Open paper cover	Flash twice, off for 1 second	Close paper cover
Print head overheating	Flash once, off for 1 second	Wait for a while before printing

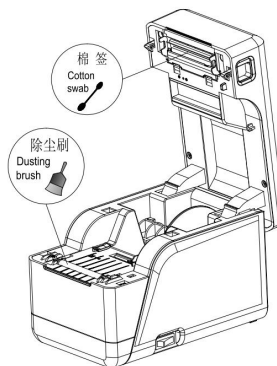
Chapter 4 Other Information

4.1 Development Manual

"SP-TL26 Development Manual" is a technical manual to assist SP-TL26 printer users to develop printer applications. This manual can be obtained from our company.

4.2 Cleaning and Maintenance

The printer needs regular maintenance: when the printer is powered off, use a cotton swab to dip an appropriate amount of alcohol, wipe the print head, remove carbon deposits, dust and other impurities, and use a dust brush to clean the paper dust on the printer's rubber roller.



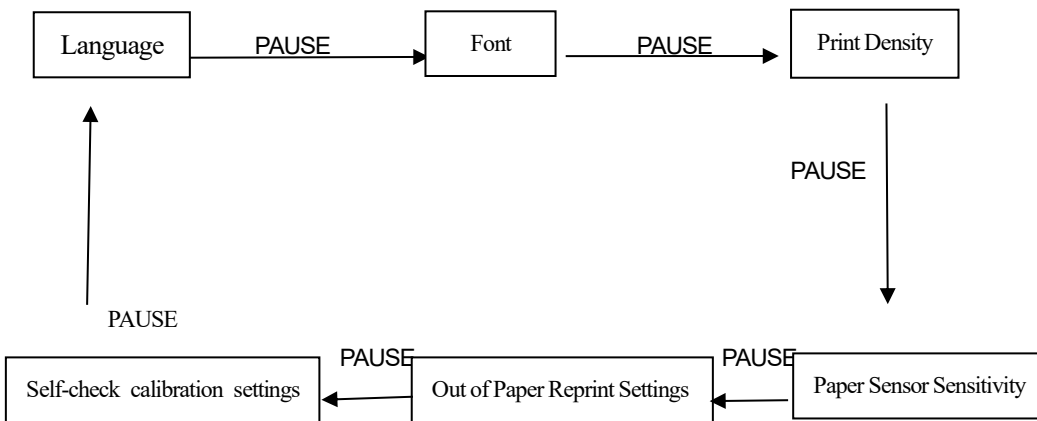
Appendix A

Setting instructions:

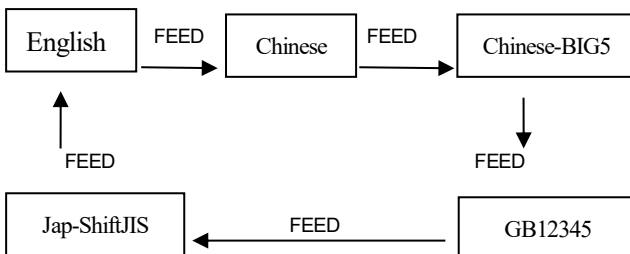
Press the 【PAUSE】 button to select the setting item, each time the 【PAUSE】 button is pressed, the setting item changes to the next item, and the current setting value of the item is displayed. Use the 【FEED】 button to select the setting value of the setting item, each time the 【FEED】 button is pressed, the setting value of the item changes to the lower value.

After the setting is completed, press the 【FEED】 button and the 【PAUSE】 button at the same time to save the current setting and enter the normal power-on state, otherwise the setting value will not be saved.

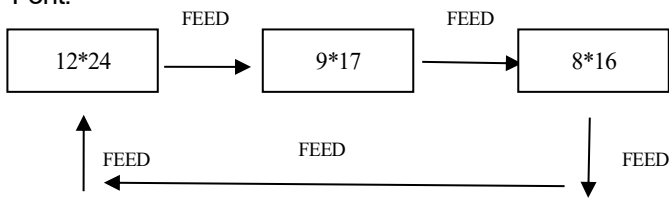
General settings:



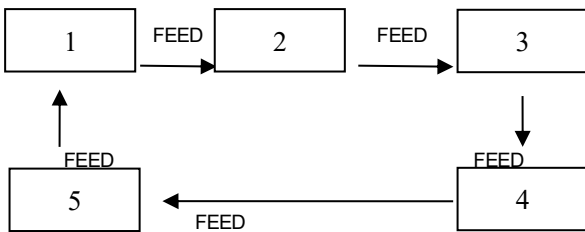
Language:



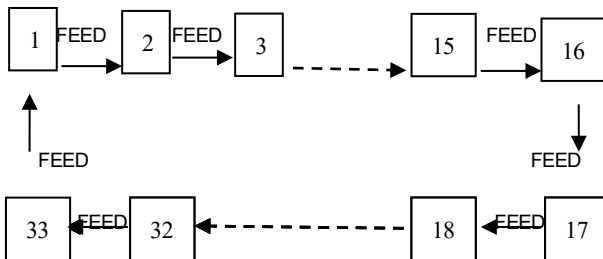
Font:



Print Density:



Paper Sensor Sensitivity:



Out of Paper Reprint Settings:



The manufacturer has the right to modify the contents of the manual without prior declaration!

Beijing Spirit Tech Dev Co.,Ltd.

Address: No. 26 Ave. 4, Chuangye Middle Road, Shangdi Information Industry Park, Beijing – 100085,

CHINA

Post Code: 100085

Tel.: 010-51661178

Fax.: 010-51661178-190

Technology Support: 010-51661178-157 010-62969379

Customer Service: E-mail: support@sprinter.com.cn