

SPRT®

SP-POS58V

User's Manual

V1.03

Beijing Spirit Technology Development Co, Ltd.
www.sprt-printer.com

Content

Chapter 1 Introduction.....	0
Chapter 2 Characteristic Specification.....	0
2.1 Printing specification.....	0
2.2 Printing Paper.....	0
2.3 Printing Font.....	1
2.4 Interface.....	1
2.5 Printing Control Command.....	1
2.6 Power Supply.....	1
2.7 Operation Environment.....	1
2.8 Noise Standard.....	1
2.9 Outline Dimension.....	1
2.10 Type.....	2
Chapter3 Interface.....	2
3.1 power supply connection.....	2
3.2 serial interface.....	2
3.3 USB.....	3
Chapter4 Operating instructions.....	3
4.1 Paper Installation.....	3
4.2self test.....	4
4.3 Hex Print.....	4
4.4 Set Printer parameters by software.....	4
4.5 Buttons and Indicators.....	5
APPENDIX : Method to set the printer default parameters through button.....	7

Chapter 1 Introduction

POS58V printer is a new type line thermal printer, it features in fast speed print, low print noise, high reliability, perfect print quality and ribbon needless avoiding the vexation of regular maintenance.

POS58v printer: small in outline dimension, simple operation, and extensive application, especially suitable for commercial cash register, PC-POS, bank POS and all kinds of receipts print.

Chapter 2 Characteristic Specification

2.1 Printing specification

- Printing method: direct thermal
- Printing paper width: 57.5±0.5mm
- Valid printing width: 48mm
- Resolution 8 /mm (203dpi)
- dots of each line : 384 dots
- Printing speed: 50 mm/S (max)
- Printing content: GB18030 all Chinese characters and characters, BIG5 all traditional Chinese characters, ASCII characters, custom characters, a dimensional barcode, support different density point figure print and download the bitmap.
- Print head life: 50km

2.2 Printing Paper

Paper Type: Thermal Paper 57.5xΦ60 mm (MAX)

The thickness of the paper: 0.06 ~ 0.08 mm

Paper roll diameter: maximum Φ 60 mm

Paper loading: easy paper loading

Paper cutting way: manual tearing

2.3 Printing Font

- ANK Character:
9×17dots, 1.125 (W) ×2.125 (H) mm;
12×24dots, 1.5 (W) ×3.0 (H) mm
- GB18030, BIG5
24×24 dots, 3.00 (W) ×3.00 (H) mm.

2.4 Interface

- RS232 interface:
DB-9socket (female), supports XON/XOFF and DTR/DSR protocol,
Ports: 2400, 4800, 9600, 19200, 38400, 57600, 115200bps
Data structure: one start bit + seven or eight data bits + one stop bit(s)
Verify : Validation or odd and even is not optional.
- USB interface
USB B female.
- Bluetooth interface: Support Bluetooth 2.0

2.5 Printing Control Command

Compatible with ESC instruction sets. Each instruction can be seen in the programming manual for POS58V ".

2.6 Power Supply

DC7.5V±10%, 2A, Desktop power socket - phi 2.0.

2.7 Operation Environment

Operation temperature: 0°C ~ 50°C

Storage temperature: -20°C ~ 80°C

Relative humidity: 10~80%

Storage relative humidity: 10~90%

2.8 Noise Standard

Noise of SP-POS58V: ≤60dB (10cm distance to sound source)

2.9 Outline Dimension and Weight

- Dimension: 150 (L) ×122×(W)×93.5(H) mm
- Weight: 382g (not including paper roll)

2.10 Models

Model	Interface
SP-POS58VS	RS-232C serial interface
SP-POS58VU	USB interface
SP-POS58VSU	232C serial + USB interfaces
SP-POS58VUBT	USB+Bluetooth 2.0 interfaces

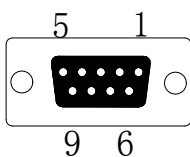
Chapter3 Interface

3.1 power supply connection

Rated power supply voltage of dc 7.5 V plus or minus 10%, rated current 2 A, use desktop power socket - phi 2.0, polarity is in the negative. Please use the standard distribution power adapter power supply.

3.2 serial interface

SP-POS58V printer serial interface and RS - 232c are compatible, support RTS/CTS and XON/XOFF handshake protocol, the interface socket for DB - 9 female socket, each pin definition such as table 3-1 shows



pin	Signal	resource	description
2	TXD	printer	Printer to master computer send control code X - ON/X - OFF and data
3	RXD	host	Printer from the host receiving data
6	DSR	printer	CTS
8	CTS	printer	The signal for the "MARK" state, said printer "busy" not receiving data, and the signal is "SPACE" state, said printer "ready", can receive data
5	GND	—	Signal ground

3.3 USB

Use standard USB type B socket.

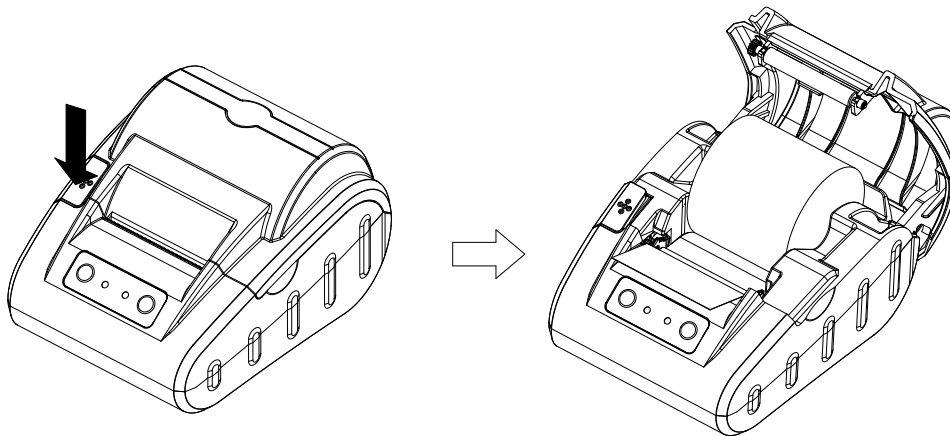
Chapter4 Operating instructions

4.1 Paper Installation

POS58V printers use 58 mm wide thermal paper roll.

Press 【 FEED 】 button to Load paper to the printer.

Change paper, follow these steps: Press the cover-open button to the left to open the paper cover, thermal paper roll into the paper hit machine positions, pulled from the roll for some, then the paper side on the machine head, cover on the paper cover, hands down gently press on from both sides



Do not use excessive force to close the paper cover, turn off the printer cover. Correct operation: first printer cover closed to contact with the nose, and then his hands on both sides appropriate to press hard on the paper cover, to make it tight to the head card, normal close.

Caution!

1. When there is no paper in the print head, please don't press **【LEEF】** button, avoiding to influence the print head life;
2. Please don't draw the paper forwards or backwards with hands, When returning paper, please cut the extra paper, and press **【LEEF】** button, paper will go forwards.
3. Pay attention to in the direction of the paper roll, make the print surface towards the print head.
4. Keep print head clean, lest affect printing quality.
5. End of paper should not stick to paper core

4.2self test

The self-test can check the condition of printer, if the printer prints out the self-test receipt correctly, it means the printer works normally except the interface with the host. Otherwise it needs repair.

The self-test will print out the printer model, the firmware version, interface type, default codepage, printing parameters setting and ANK characters, etc.

Holding down **【LEEF】** button and turn on the power, then release the button, self-test begins automatically.

4.3 Hex Print

According to the following steps boot, you can make the printer into hexadecimal print mode.

Press the [SET] key and the [FEED] key, turn on the printer; then release the [SET] key and the [FEED] key, print out the following 3 lines:

Hexadecimal Dump
To terminate hexadecimal dump,
Press FEED button three times.

In this mode, all input will be printed out as a hexadecimal number.

Each click [FEED] key makes paper feel one line, total of 3 times, print "*** Completed ***", exit Hex print mode.

4.4 Set Printer parameters by software

Printer default parameters can be set through the special setting tool



software Settings. Has been set up correctly, parameter save to printer, at the next power on the new setting parameters effect.

4.5 Buttons and Indicators

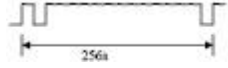



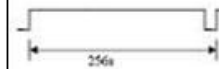
POS58V have two light, green POWER indicator for POWER light, red ERROR lamp for state light. power on, the green light should be always shining it means power supply. is normal ,when printer works normally, red ERROR for being out of the state, the light shining for abnormal alarm state. All kinds of alarm meaning is listed below.

The mistake can't be automatically recovered when the indicator flashing some times and constant on then cycle. The times of flashing means the type of mistake.

1. The mistake can be recovered when the indicator continuous flashing. Including printer over heating and paper lack.

Error type	Prescription	Type of flash
Printer head over heading	Printer head over heating. When temperature becomes normal, printer recover automatically.	
Paper lack	After paper loading, printer will recover automatically	

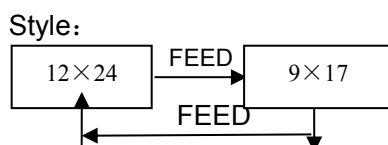
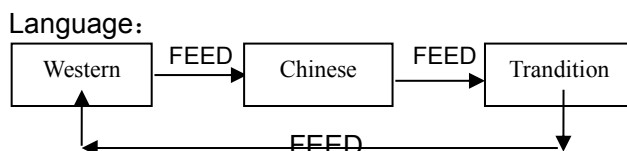
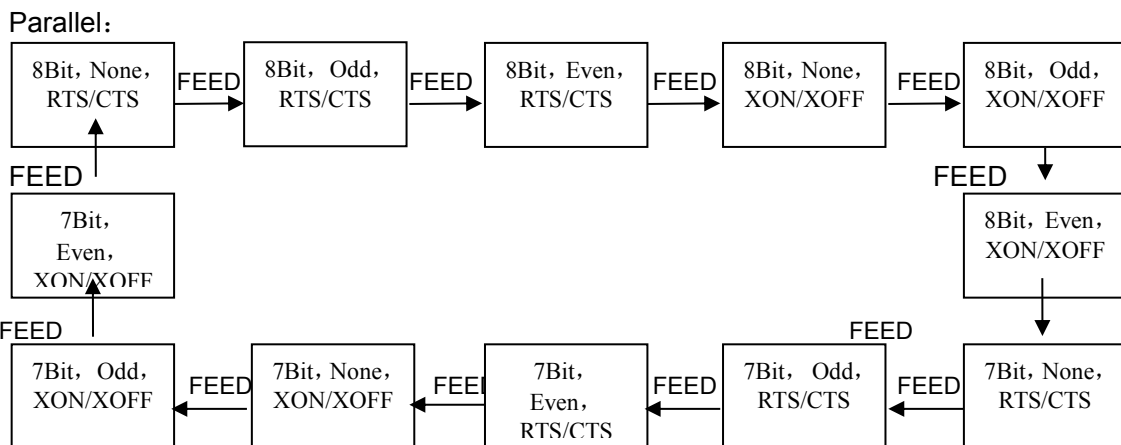
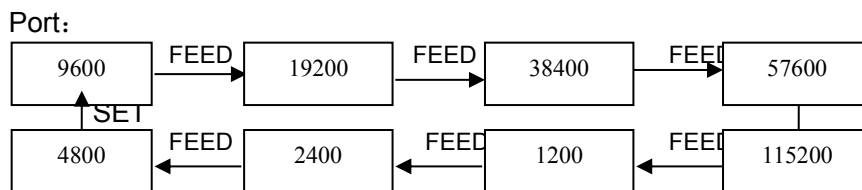
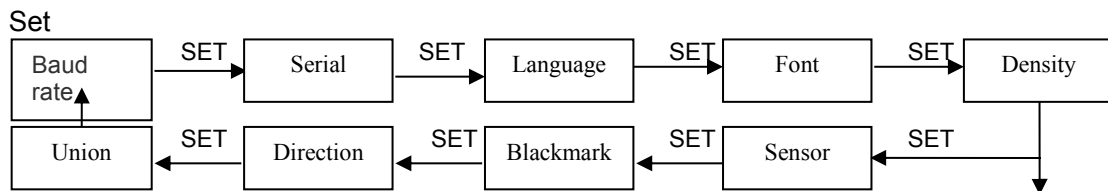
2. The mistake can't be recovered. Light flash sever times then light continuously . Flash times stand for error type .

Error type	Description	ERROR
Memory Erros	LED flashes once : Memory read - write errors	
Over Voltage	Power voltage is high	
<i>Under voltage</i>	Power voltage is too low	
CPU Execution Error	Execution error(wrong addression)	
Temperature detection circuit error	temperature detection of circuit is wrong	

APPENDIX: Method to set the printer default parameters through button

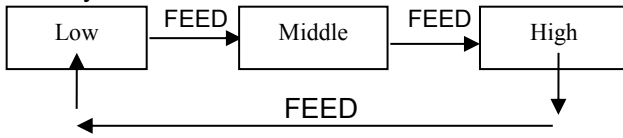
Settings items, each click 【 SET 】 key, SET items change for the next item, and print out the current SET value. With the FEED 【 key to choose a set value, each click the FEED 【 key, the set value change for the next value.

Attention :for model without 【 SET 】 key ,replace it with 【 printer roller】。

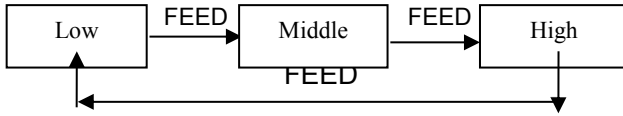


SPRT

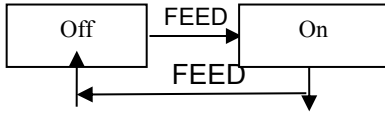
Density:



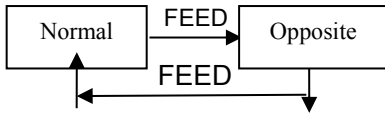
Sensor:



Blackmark



Direction:



Union of orders

