

Technical proposal for JX-CI-3.8G8.0G-16PIN Drop-In Isolator

◆ High Performance

◆ High Reliability

Revision History

Version	Date	Author	Revision description	Comment
V1.0	2023/06/14	Vivian	Created	/

Table of content

Technical proposal for JX-CI-3.8G8.0G-16PIN Drop-In Isolator	1
1. Mechanical layout	2
2. Electrical analysis	2

Figures

Figure 1 JX-CI-3.8G8.0G-16PIN front panel layout	2
--	---

Tables

Table 1 Mechanical specifications	2
Table 2 Electrical specifications	2

JING XIN MICROWAVE TECHNOLOGY CO.,LTD

E-mail: sales@cdjx-mw.com Web: <http://www.cdjx-mw.com>

TEL: +86-28-85026087 FAX: +86-28-65026087 ext.8033 Zip Code:610045

Add: No.65,West 1st Wu Ke Road, Wu Hou District, Cheng Du City, Si Chuan Province, China.

1. Mechanical layout

Table 1 Mechanical specifications

Dimension	As shown below
Connector Type	Strip line
Notes	Material shall be RoHS 6/6

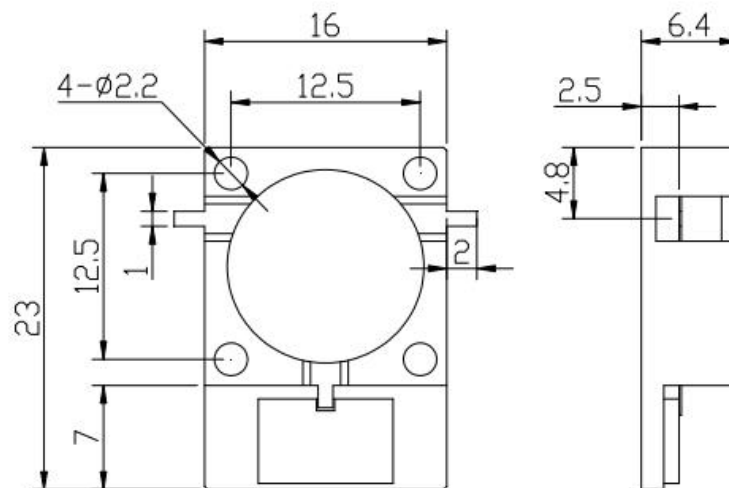


Figure 1 JX-CI-3.8G8.0G-16PIN front panel layout

2. Electrical analysis

Table 2 Electrical specifications

Item	Parameter	Specifications
1	Frequency Range	3.8-8.0GHz
2	Insert Loss	0.9dB max@3.8-4.0GHz 0.7dB max@4.0-8.0GHz
3	Isolation	14dB min@3.8-4.0GHz 16dB min@4.0-8.0GHz
4	VSWR	1.7max@3.8-4.0GHz 1.5max@4.0-8.0GHz
5	Forward Power	100W CW
6	Reverse Power	75W
7	Temperature	-40°C to +85°C

JING XIN MICROWAVE TECHNOLOGY CO.,LTD

E-mail: sales@cdjx-mw.com Web: <http://www.cdjx-mw.com>

TEL: +86-28-85026087 FAX: +86-28-65026087 ext.8033 Zip Code:610045

Add: No.65,West 1st Wu Ke Road, Wu Hou District, Cheng Du City, Si Chuan Province, China.