

Technical proposal for 136-2700MHz Power Tapper

- ◆ High Performance
- ◆ High Reliability

Revision History

Version	Date	Author	Revision description	Comment
V1.0	2017/04/16	Vivian	Created	/
V1.1	2023/12/19	Vivian	Updated	/

Table of content

Technical proposal for 136-2700MHz Power Tapper.....	1
Technical proposal for JX-PT-136M2700M-xdBNF Power Tapper.....	3
1. Mechanical layout.....	3
2. Electrical analysis.....	4
Technical proposal for JX-PT-136M2700M-xdB4310F Power Tapper	5
3. Mechanical layout.....	5
4. Electrical analysis.....	6
Technical proposal for JX-PT-136M2700M-xdBDINF Power Tapper	7
5. Mechanical layout.....	7
6. Electrical analysis.....	8
Technical proposal for JX-PT-136M2700M-30dBxF Power Tapper	9
7. Mechanical layout.....	9
8. Electrical analysis.....	10

Figures

Figure 1 JX-PT-136M2700M-xdBNF front panel layout	3
Figure 2 JX-PT-136M2700M-xdB4310F front panel layout.....	5

JING XIN MICROWAVE TECHNOLOGY CO.,LTD

E-mail: sales@cdjx-mw.com Web: <http://www.cdjx-mw.com>

TEL: +86-28-85026087 FAX: +86-28-65026087 ext.8033 Zip Code:610045

Add: No.65,West 1st Wu Ke Road, Wu Hou District, Cheng Du City, Si Chuan Province, China.

Professional manufacturer of passive microwave components



Figure 3	JX-PT-136M2700M-xdBDINF front panel layout.....	7
Figure 4	JX-PT-136M2700M-30dBDINF front panel layout	9
Figure 5	JX-PT-136M2700M-30dB4310F front panel layout.....	9
Figure 6	JX-PT-136M2700M-30dBNF front panel layout	10
Figure 7	Mounting bracket front panel layout	10

Tables

Table 1	Mechanical specifications	3
Table 2	Electrical specifications.....	4
Table 3	Mechanical specifications	5
Table 4	Electrical specifications.....	6
Table 5	Mechanical specifications	7
Table 6	Electrical specifications.....	8
Table 7	Mechanical specifications	9
Table 8	Electrical specifications.....	10

JING XIN MICROWAVE TECHNOLOGY CO.,LTD

E-mail: sales@cdjx-mw.com Web: <http://www.cdjx-mw.com>

TEL: +86-28-85026087 FAX: +86-28-65026087 ext.8033 Zip Code:610045

Add: No.65,West 1st Wu Ke Road, Wu Hou District, Cheng Du City, Si Chuan Province, China.

Technical proposal for JX-PT-136M2700M-xdBNF Power Tapper

1. Mechanical layout

Table 1 Mechanical specifications

Dimension	140.4 x 43.0 x 25.0mm
Connector	N-Female
Applications	IP65
Notes	Material shall be RoHS 6/6

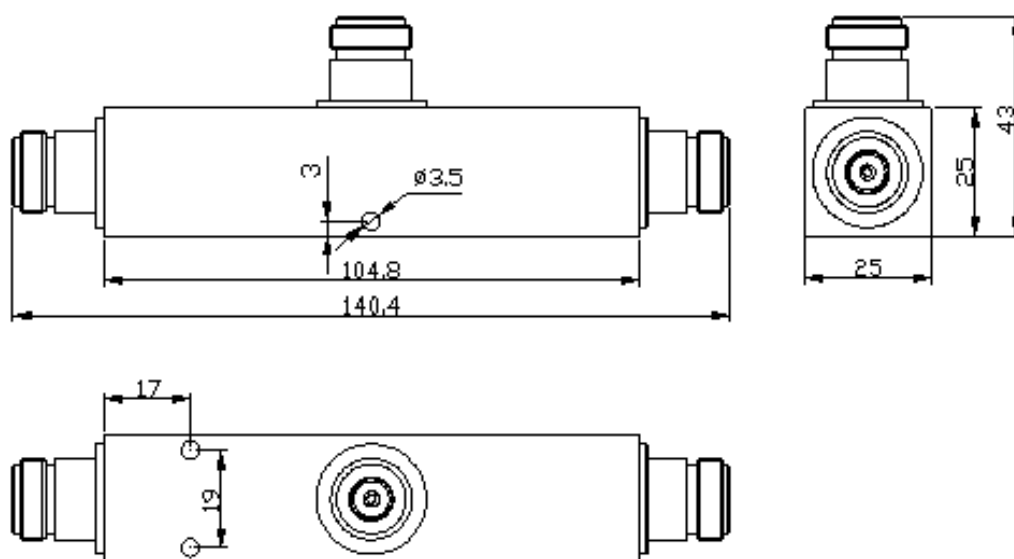


Figure 1 JX-PT-136M2700M-xdBNF front panel layout

Note: Mounting bracket front panel layout is on P8

JING XIN MICROWAVE TECHNOLOGY CO.,LTD

E-mail: sales@cdjx-mw.com Web: <http://www.cdjx-mw.com>

TEL: +86-28-85026087 FAX: +86-28-65026087 ext.8033 Zip Code:610045

Add: No.65,West 1st Wu Ke Road, Wu Hou District, Cheng Du City, Si Chuan Province, China.

2. Electrical analysis

Table 2 Electrical specifications

Item	Parameter	Specifications							
1	Frequency range(MHz)	136-350 / 350-960 / 1710-2700MHz							
2	Coupling (dB)	5	6	7	8	10	15	20	
3	Range (dB)	136-350	6.4±1.1	7.9±1.1	8.5±1.1	9.4±1.1	11.0±1.1	15.3±0.8	19.8±0.6
		350-960	5.0±1.2	6.3±1.0	7.3±0.8	8.3±0.7	9.8±0.6	14.7±0.6	19.7±0.6
		1710-2700	5.0±0.6	6.0±0.6	7.0±0.6	8.0±0.6	10.0±0.6	15.0±0.8	20.4±0.6
4	VSWR	350-960	1.35:1	1.30:1			1.25:1		
		1710-2700	1.25:1						
5	Intermodulation (dBc)	-160, 2x43dBm (Reflection Measurement 900MHz 1800MHz)							
6	Power Rating(W)	200							
7	Impedance(Ω)	50							
8	Operational Temperature	-35°C to +85°C							

JING XIN MICROWAVE TECHNOLOGY CO.,LTD

E-mail: sales@cdjx-mw.com Web: <http://www.cdjx-mw.com>

TEL: +86-28-85026087 FAX: +86-28-65026087 ext.8033 Zip Code:610045

Add: No.65,West 1st Wu Ke Road, Wu Hou District, Cheng Du City, Si Chuan Province, China.

Technical proposal for JX-PT-136M2700M-xdB4310F Power Tapper

3. Mechanical layout

Table 3 Mechanical specifications

Dimension	146.8 x 46.0 x 25.0mm
Connector	4310-Female
Applications	IP65
Notes	Material shall be RoHS 6/6

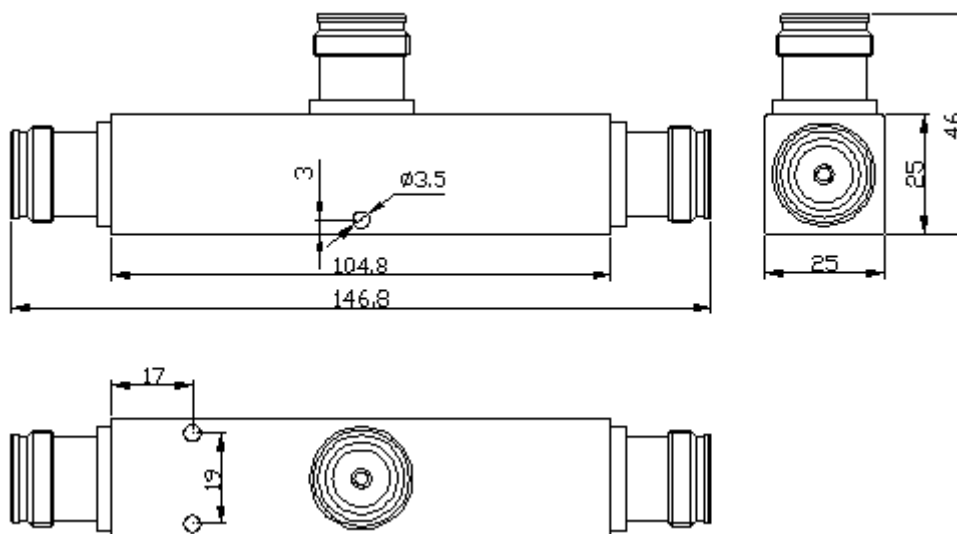


Figure 2 JX-PT-136M2700M-xdB4310F front panel layout

Note: Mounting bracket front panel layout is on P8

JING XIN MICROWAVE TECHNOLOGY CO.,LTD

E-mail: sales@cdjx-mw.com Web: <http://www.cdjx-mw.com>

TEL: +86-28-85026087 FAX: +86-28-65026087 ext.8033 Zip Code:610045

Add: No.65,West 1st Wu Ke Road, Wu Hou District, Cheng Du City, Si Chuan Province, China.

4. Electrical analysis

Table 4 Electrical specifications

Item	Parameter	Specifications							
1	Frequency range(MHz)	136-350 / 350-960 / 1710-2700MHz							
2	Coupling (dB)	5	6	7	8	10	15	20	
3	Range (dB)	136-350	6.4±1.1	7.9±1.1	8.5±1.1	9.4±1.1	11.0±1.1	15.3±0.8	19.8±0.6
		350-960	5.0±1.2	6.3±1.0	7.3±0.8	8.3±0.7	9.8±0.6	14.7±0.6	19.7±0.6
		1710-2700	5.0±0.6	6.0±0.6	7.0±0.6	8.0±0.6	10.0±0.6	15.0±0.8	20.4±0.6
4	VSWR	350-960	1.35:1	1.30:1			1.25:1		
		1710-2700	1.25:1						
5	Intermodulation (dBc)	-160, 2x43dBm (Reflection Measurement 900MHz 1800MHz)							
6	Power Rating(W)	200							
7	Impedance(Ω)	50							
8	Operational Temperature	-35°C to +85°C							

JING XIN MICROWAVE TECHNOLOGY CO.,LTD

E-mail: sales@cdjx-mw.com Web: <http://www.cdjx-mw.com>

TEL: +86-28-85026087 FAX: +86-28-65026087 ext.8033 Zip Code:610045

Add: No.65,West 1st Wu Ke Road, Wu Hou District, Cheng Du City, Si Chuan Province, China.

Technical proposal for JX-PT-136M2700M-xdB DINF Power Tapper

5. Mechanical layout

Table 5 Mechanical specifications

Dimension	144.2 x 45.0 x 25.0mm
Connector	DIN-Female
Applications	IP65
Notes	Material shall be RoHS 6/6

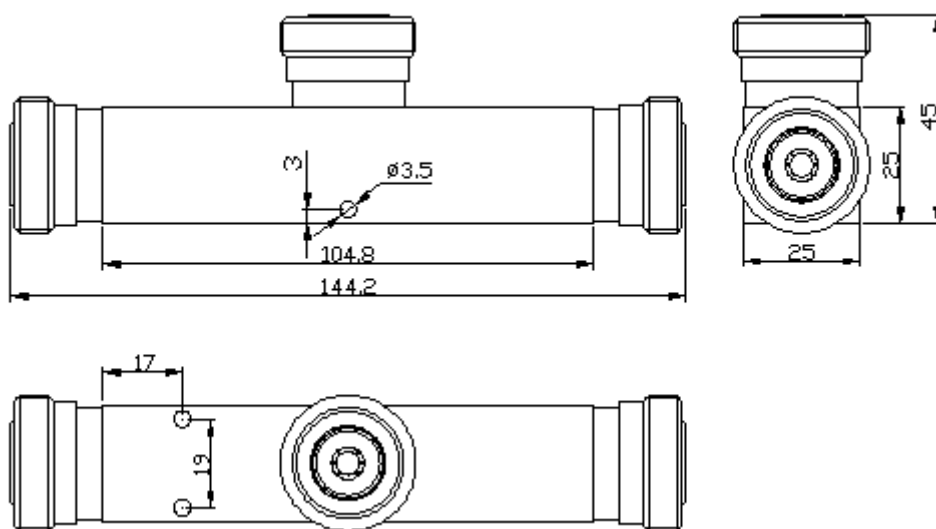


Figure 3 JX-PT-136M2700M-xdB DINF front panel layout

Note: Mounting bracket front panel layout is on P8

JING XIN MICROWAVE TECHNOLOGY CO.,LTD

E-mail: sales@cdjx-mw.com Web: <http://www.cdjx-mw.com>

TEL: +86-28-85026087 FAX: +86-28-65026087 ext.8033 Zip Code:610045

Add: No.65,West 1st Wu Ke Road, Wu Hou District, Cheng Du City, Si Chuan Province, China.

6. Electrical analysis

Table 6 Electrical specifications

Item	Parameter	Specifications							
1	Frequency range(MHz)	136-350 / 350-960 / 1710-2700MHz							
2	Coupling (dB)	5	6	7	8	10	15	20	
3	Range (dB)	136-350	6.4±1.1	7.9±1.1	8.5±1.1	9.4±1.1	11.0±1.1	15.3±0.8	19.8±0.6
		350-960	5.0±1.2	6.3±1.0	7.3±0.8	8.3±0.7	9.8±0.6	14.7±0.6	19.7±0.6
		1710-2700	5.0±0.6	6.0±0.6	7.0±0.6	8.0±0.6	10.0±0.6	15.0±0.8	20.4±0.6
4	VSWR	350-960	1.35:1	1.30:1			1.25:1		
		1710-2700	1.25:1						
5	Intermodulation (dBc)	-160, 2x43dBm (Reflection Measurement 900MHz 1800MHz)							
6	Power Rating(W)	200							
7	Impedance(Ω)	50							
8	Operational Temperature	-35°C to +85°C							

JING XIN MICROWAVE TECHNOLOGY CO.,LTD

E-mail: sales@cdjx-mw.com Web: <http://www.cdjx-mw.com>

TEL: +86-28-85026087 FAX: +86-28-65026087 ext.8033 Zip Code:610045

Add: No.65,West 1st Wu Ke Road, Wu Hou District, Cheng Du City, Si Chuan Province, China.

Technical proposal for JX-PT-136M2700M-30dBxF Power Tapper

7. Mechanical layout

Table 7 Mechanical specifications

Dimension	110.1 x 45.0 x 25.0mm
Connector	DIN-Female or 4310-Female or N-Female
Applications	IP65
Notes	Material shall be RoHS 6/6

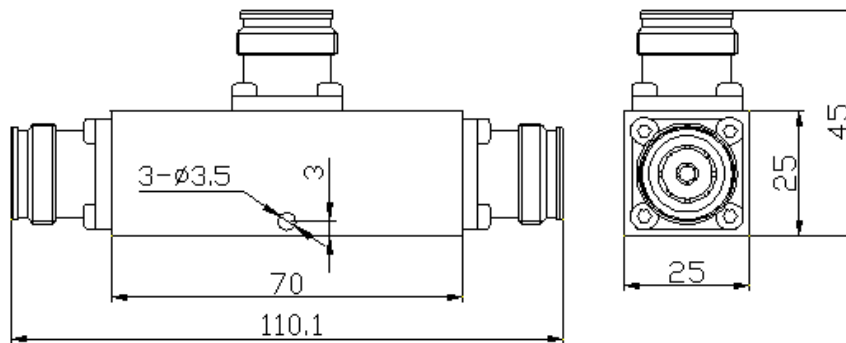


Figure 4 JX-PT-136M2700M-30dB DINF front panel layout

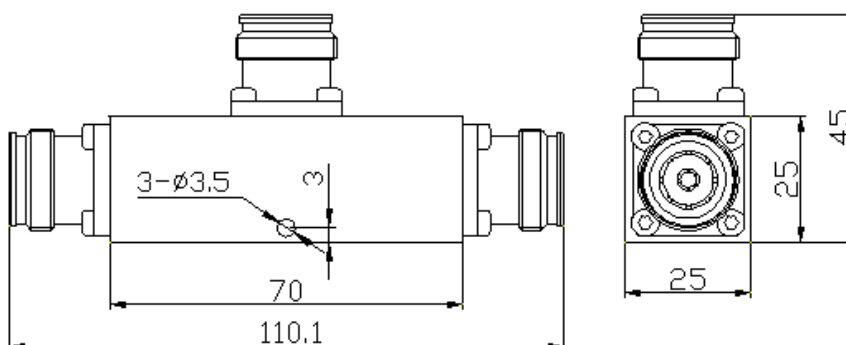


Figure 5 JX-PT-136M2700M-30dB 4310F front panel layout

JING XIN MICROWAVE TECHNOLOGY CO.,LTD

E-mail: sales@cdjx-mw.com Web: <http://www.cdjx-mw.com>

TEL: +86-28-85026087 FAX: +86-28-65026087 ext.8033 Zip Code:610045

Add: No.65, West 1st Wu Ke Road, Wu Hou District, Cheng Du City, Si Chuan Province, China.

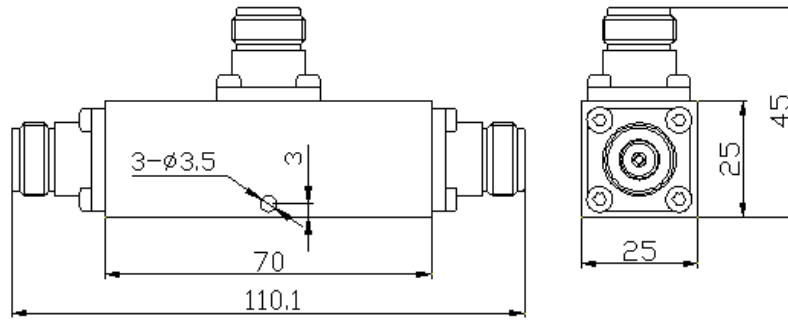


Figure 6 JX-PT-136M2700M-30dBNF front panel layout

8. Electrical analysis

Table 8 Electrical specifications

Item	Parameter	Specifications	
1	Frequency range(MHz)	136-350 / 350-960 / 1710-2700MHz	
2	Coupling (dB)	30	
3	Range (dB)	136-350	29.2.±0.8
		350-960	29.2.±0.8
		1710-2700	30.0±0.8
4	VSWR	350-960	1.25:1
		1710-2700	
5	Intermodulation (dBc)	-160, 2x43dBm (Reflection Measurement 900MHz 1800MHz)	
6	Power Rating(W)	200	
7	Impedance(Ω)	50	
8	Operational Temperature	-35°C to +85°C	

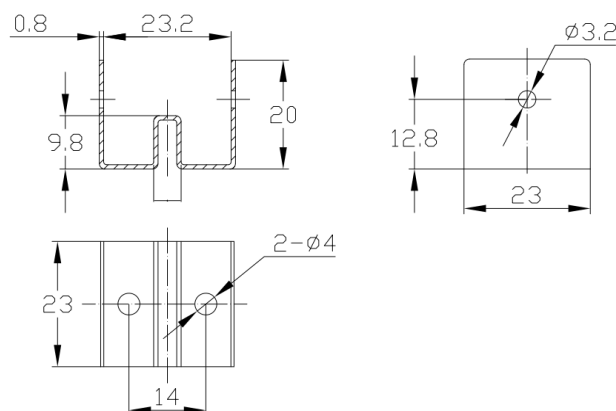


Figure 7 Mounting bracket front panel layout

JING XIN MICROWAVE TECHNOLOGY CO.,LTD

E-mail: sales@cdjx-mw.com Web: <http://www.cdjx-mw.com>

TEL: +86-28-85026087 FAX: +86-28-65026087 ext.8033 Zip Code:610045

Add: No.65,West 1st Wu Ke Road, Wu Hou District, Cheng Du City, Si Chuan Province, China.