

# Technical Proposal for JX-BSF1-7.9G8.4G-50S Bandstop Filter

- ◆ High Reliability
- ◆ High Performance

## Revision History

Version	Date	Author	Revision description	Comment
V1.0	2020/06/08	Lin liqun	Created	/

## Table of content

Technical Proposal for JX-BSF1-7.9G8.4G-50S Bandstop Filter .....	1
1. Mechanical layout.....	2
2. Electrical analysis.....	2
2.1 Electrical specifications .....	2

## Figures

Figure 1 JX-BSF1-7.9G8.4G-50S front panel layout .....	2
--	---

## Tables

Table 1 Mechanical specifications @ JX-BSF1-7.9G8.4G-50S .....	2
Table 2 Electrical specifications @ JX-BSF1-7.9G8.4G-50S.....	2

**JING XIN MICROWAVE TECHNOLOGY CO.,LTD**

E-mail: [sales@cdjx-mw.com](mailto:sales@cdjx-mw.com) Web: <http://www.cdjx-mw.com>

TEL: +86-28-85026087 FAX: +86-28-65026087 ext.8033 Zip Code:610045

Add: No.65,West 1st Wu Ke Road, Wu Hou District, Cheng Du City, Si Chuan Province, China.

## 1. Mechanical layout

Table 1 Mechanical specifications @ JX-BSF1-7.9G8.4G-50S

Dimension	LxWxH:63.5 mm x25.4 mm x 12.7mm
Port connectors	SMA-Female
Finish	Black
Notes	Material shall be RoHS 6/6

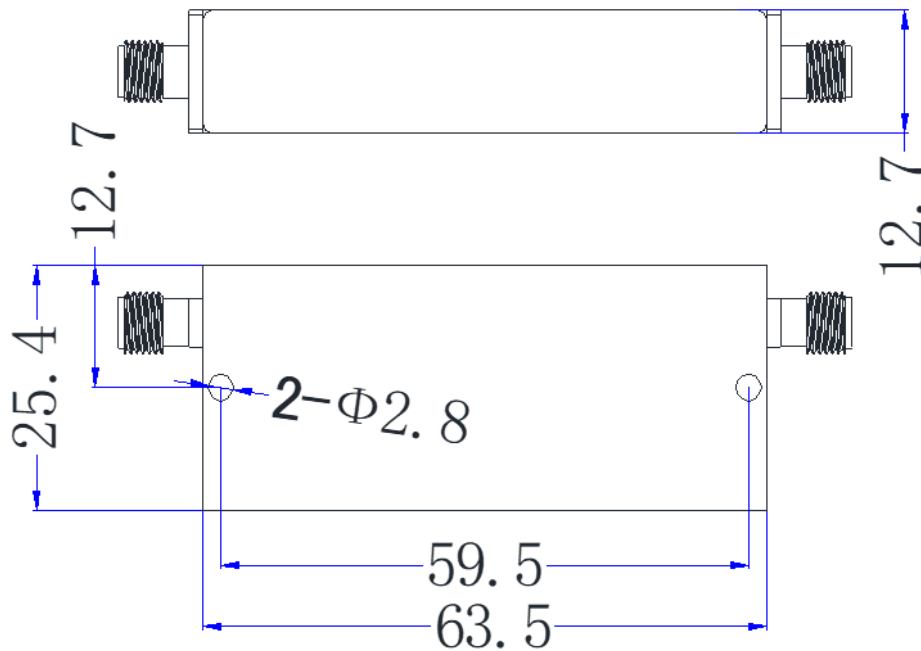


Figure 1 JX-BSF1-7.9G8.4G-50S front panel layout

## 2. Electrical analysis

### 2.1 Electrical specifications

Table 2 Electrical specifications @ JX-BSF1-7.9G8.4G-50S

Item	Parameter	Specification
1	Frequency range	DC-7.8GHz&8.5-18GHz
2	VSWR	≤2.0
3	Insertion loss	≤3.0dB
4	Rejection	≥50dB @ 7.9-8.4GHz
5	Power	20W
6	Impedance	50Ω

**JING XIN MICROWAVE TECHNOLOGY CO.,LTD**

E-mail: [sales@cdjx-mw.com](mailto:sales@cdjx-mw.com) Web: <http://www.cdjx-mw.com>

TEL: +86-28-85026087 FAX: +86-28-65026087 ext.8033 Zip Code:610045

Add: No.65,West 1st Wu Ke Road, Wu Hou District, Cheng Du City, Si Chuan Province, China.