

# Technical proposal for JX-PL-30M3000M-100WDM Low PIM Load

◆ IP65

◆ Low PIM

◆ High Performance

◆ High Reliability

## Revision History

| Version | Date       | Author    | Revision description | Comment |
|---------|------------|-----------|----------------------|---------|
| V1.0    | 2020/02/08 | Lin liqun | Created              | /       |
|         |            |           |                      |         |
|         |            |           |                      |         |

## Table of content

|   |   |
|---|---|
| Technical proposal for JX-PL-30M3000M-100WDM Low PIM Load ..... | 1 |
| 1. Mechanical layout.....                                       | 2 |
| 2. Electrical analysis.....                                     | 2 |

## Figures

|  |   |
|--|---|
| Figure 1 JX-PL-30M3000M-100WDM front panel layout..... | 2 |
|--|---|

## Tables

|   |   |
|---|---|
| Table 1 Mechanical specifications ..... | 2 |
| Table 2 Electrical specifications.....  | 2 |

**JING XIN MICROWAVE TECHNOLOGY CO.,LTD**

E-mail: [sales@cdjx-mw.com](mailto:sales@cdjx-mw.com) Web: <http://www.cdjx-mw.com>

TEL: +86-28-85026087 FAX: +86-28-65026087 ext.8033 Zip Code:610045

Add: No.65,West 1st Wu Ke Road, Wu Hou District, Cheng Du City, Si Chuan Province, China.

## 1. Mechanical layout

Table 1 Mechanical specifications

|                    |  |
|--------------------|--|
| Dimension          | $\Phi 90\text{mm} \times 188.9\text{mm}$ |
| Connectors         | 7/16 (DIN)-Male                          |
| Finish             | Black                                    |
| Radiator           | Alumina                                  |
| Ingress Protection | IP65                                     |
| Notes              | Material shall be RoHS 6/6               |

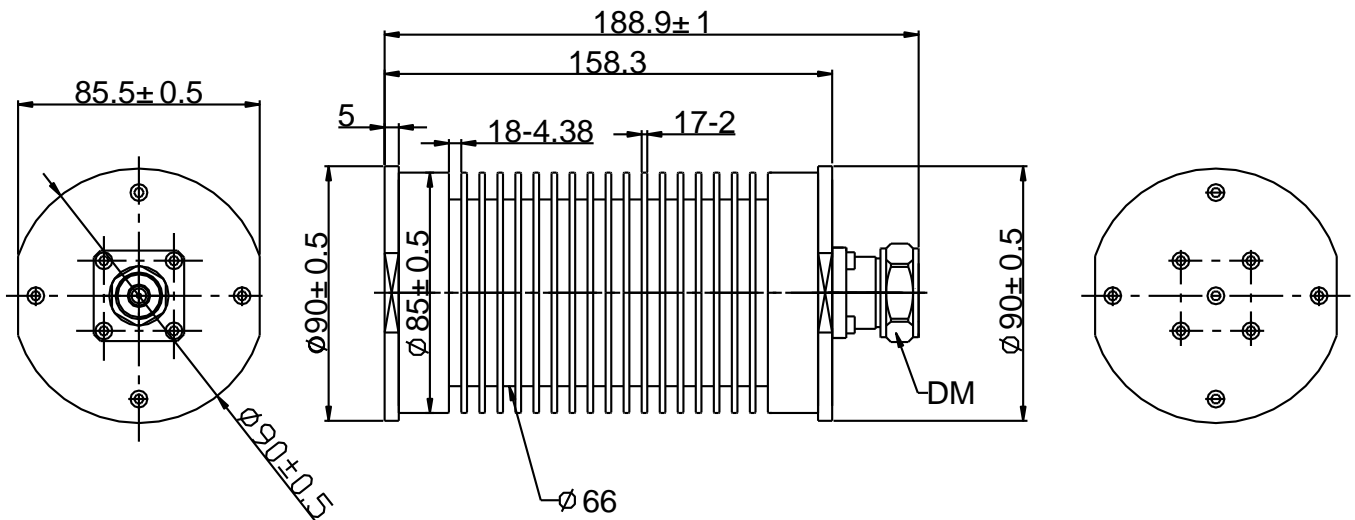


Figure 1 JX-PL-30M3000M-100WDM front panel layout

## 2. Electrical analysis

Table 2 Electrical specifications

| Item | Parameter         | Specification                               |
|------|-------------------|---|
| 1    | Frequency range   | 30-3000MHz                                  |
| 2    | VSWR              | $\leq 1.2$                                  |
| 3    | Average power     | 100W  |
| 4    | Intermodulation   | -160dBc@2X43dBm / -168dBc@2X43dBm (Typical) |
| 5    | Impedance         | 50 $\Omega$                                 |
| 6    | Temperature range | -35°C to +50°C                              |

**JING XIN MICROWAVE TECHNOLOGY CO.,LTD**

E-mail: [sales@cdjx-mw.com](mailto:sales@cdjx-mw.com) Web: <http://www.cdjx-mw.com>

TEL: +86-28-85026087 FAX: +86-28-65026087 ext.8033 Zip Code:610045

Add: No.65,West 1st Wu Ke Road, Wu Hou District, Cheng Du City, Si Chuan Province, China.