

Technical proposal for JX-PS-2-4310 Power Divider

Revision History

Version	Date	Author	Revision description	Comment
V1.0	2020/07/14	Sam Chen	Created	/

Table of content

Technical proposal for JX-PS-2-4310 Power Divider.....	1
1. Mechanical layout.....	3
2. Electrical analysis.....	4
2.1 Electrical specifications	4

Figures

Figure 1 JX-PS-2-4310 front panel layout	3
--	---

JING XIN MICROWAVE TECHNOLOGY CO.,LTD

E-mail: sales@cdjx-mw.com Web: <http://www.cdjx-mw.com>

TEL: +86-28-85026087 FAX: +86-28-65026087 ext.8033 Zip Code:610045

Add: No.65,West 1st Wu Ke Road, Wu Hou District, Cheng Du City, Si Chuan Province, China.

Tables

Table 1 Mechanical Specifications @ JX-PS-2-43103
 Table 2 Electrical specifications @ JX-PS-2-43104

1. Mechanical layout

Table 1 Mechanical Specifications @ JX-PS-2-4310

Parameter	Specification
Dimension	L x W x H: 164.2mm x 25mm x 25mm (± 0.2 mm)
Port connectors	4.3-10 (Female)
Applications	IP65
Finish	White
Notes	Material shall be RoHS 6/6 and REACH compliant

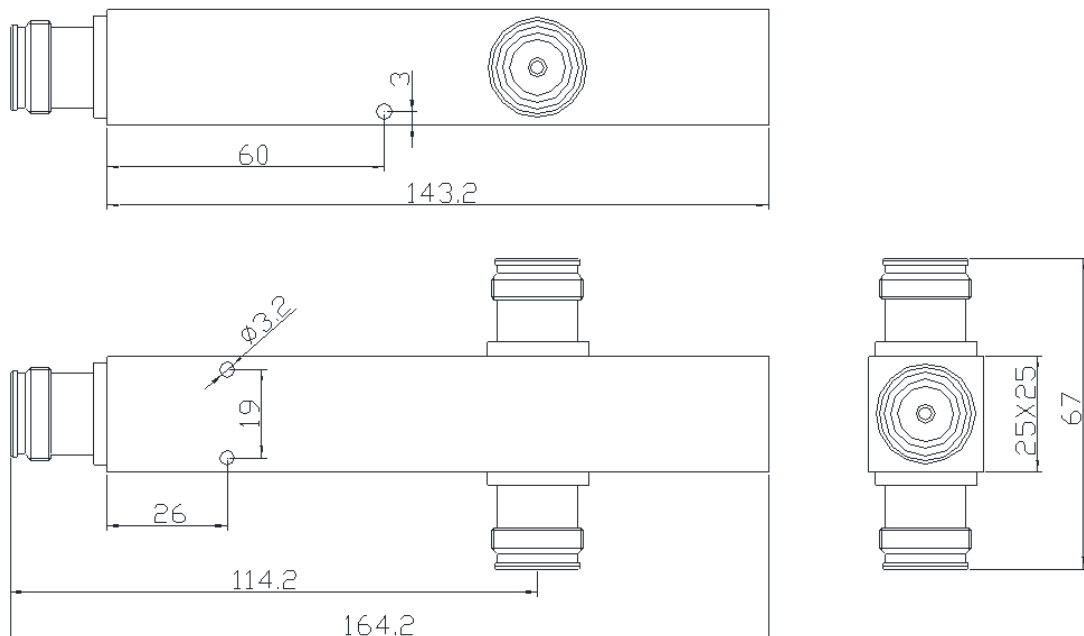


Figure 1 JX-PS-2-4310 front panel layout

JING XIN MICROWAVE TECHNOLOGY CO.,LTD

E-mail: sales@cdjx-mw.com Web: <http://www.cdjx-mw.com>

TEL: +86-28-85026087 FAX: +86-28-65026087 ext.8033 Zip Code:610045

Add: No.65,West 1st Wu Ke Road, Wu Hou District, Cheng Du City, Si Chuan Province, China.

2. Electrical analysis

2.1 Electrical specifications

Table 2 Electrical specifications @ JX-PS-2-4310

Item	Parameter	Spec	
1	Frequency range	350-2700 MHz	
2	Insertion loss	≤3.3 dB	
3	VSWR	380-2700 MHz	1.20:1
		350-380 MHz	1.30:1
4	Intermodulation	-155@2*43dBm	
5	Impedance	50Ω	
6	Power Rating	300W	
7	Temperature Range	-35-85°C	

JING XIN MICROWAVE TECHNOLOGY CO.,LTD

E-mail: sales@cdjx-mw.com Web: <http://www.cdjx-mw.com>

TEL: +86-28-85026087 FAX: +86-28-65026087 ext.8033 Zip Code:610045

Add: No.65,West 1st Wu Ke Road, Wu Hou District, Cheng Du City, Si Chuan Province, China.