

Technical proposal for JX-PD-66-1000-02QNF Power Divider

Revision History

Version	Date	Author	Revision description	Comment
V1.0	2018/11/16	Sam Chen	Update	/

JING XIN MICROWAVE TECHNOLOGY CO.,LTD

E-mail: cd-jingxin@139.com <http://www.cdjx-mw.com>

TEL: +86-28-85026087 FAX: +86-28-65941390

NO.65 West 1st Wu Ke Road, Wuhou District, ChengDu City, si Chuan Province China. Zip Code:610045.

Table of content

Technical proposal for JX-PD-66-1000-02QNF Power Divider	1
1. Mechanical layout	3
2. Electrical Specifications	3

Figures

Figure 1 JX-PD-66-1000-02QNF Power Divider front panel layout.....	3
--	---

Tables

Table 1 Mechanical Specifications	3
Table 2 Electrical Specifications	3

JING XIN MICROWAVE TECHNOLOGY CO.,LTD

E-mail: cd-jingxin@139.com <http://www.cdjx-mw.com>

TEL: +86-28-85026087 FAX: +86-28-65941390

NO.65 West 1st Wu Ke Road, Wuhou District, ChengDu City, si Chuan Province China. Zip Code:610045.

1. Mechanical layout

Table 1 Mechanical Specifications

Dimension	L x W x H: 281mm x 144.4mm x 30mm (± 0.5 mm)
Connectors	QN-Female
Finish	Co.Ocd
Notes	Material shall be RoHS 6/6

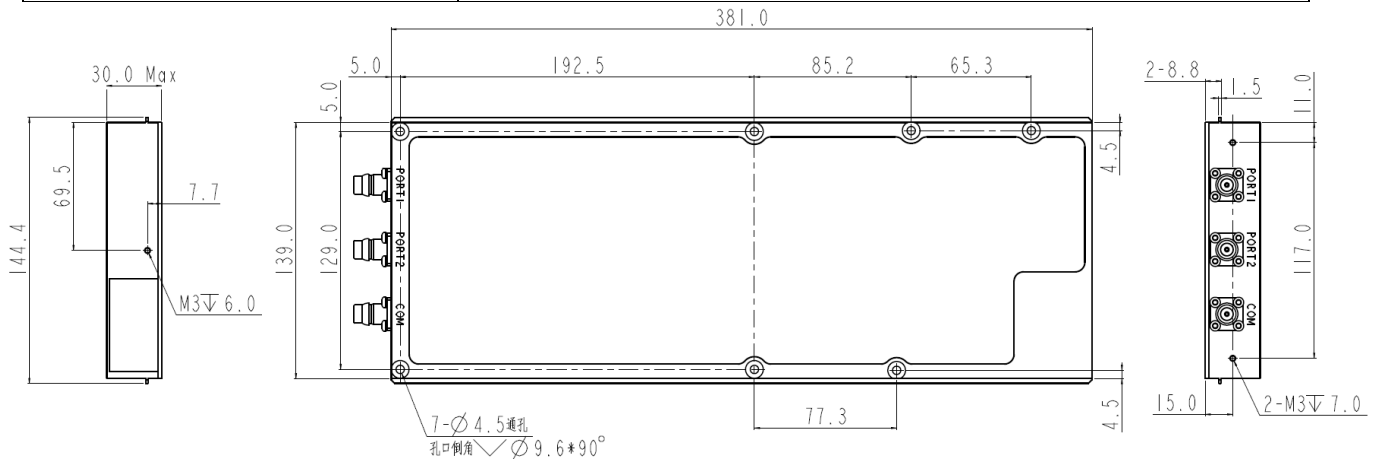


Figure 1 JX-PD-66-1000-02QNF Power Divider front panel layout

2. Electrical Specifications

Table 2 Electrical Specifications

Item	Parameter	Spec
1	Frequency Range	66-1000MHz
2	Insertion Loss	≤ 3.8 dB(66-900MHz); ≤ 4.0 dB(900-1000MHz)
3	Return Loss	≥ 15 dB
4	Isolation	≥ 16 dB@66-80MHz; ≥ 18 dB@80-1000MHz
5	Intermodulation	-140dBc @2*43dBm
6	Power Rating	100 W
7	Impedance	50 Ω
8	Temperature Range	-30 to +70 $^{\circ}$ C
9	Applications	Indoor/Outdoor,
10	Remark	Power Splitter Install Bracket Include

JING XIN MICROWAVE TECHNOLOGY CO.,LTD

E-mail: cd-jingxin@139.com <http://www.cdjx-mw.com>

TEL: +86-28-85026087 FAX: +86-28-65941390

NO.65 West 1st Wu Ke Road, Wuhou District, ChengDu City, si Chuan Province China. Zip Code:610045.