

Technical proposal for JX-TI-WG3538X-3 Isolator

Revision History

Version	Date	Author	Revision description	Comment
V1.0	2018/06/01	Lin liqun	Created	/

Table of content

Technical proposal for JX-TI-WG3538X-3 Isolator	1
1. Mechanical layout.....	2
2. Electrical specifications	2

Figures

Figure 1 JX-TI-WG3538X-3 front panel layout	2
---	---

Tables

Table 1 Mechanical Specifications	2
Table 2 Electrical specifications.....	2

JING XIN MICROWAVE TECHNOLOGY CO.,LTD

E-mail: sales@cdjx-mw.com Web: <http://www.cdjx-mw.com>

TEL: +86-28-85026087 FAX: +86-28-65941390 Zip Code:610045

Add: No.65,West 1st Wu Ke Road, Wu Hou District, Cheng Du City, Si Chuan Province, China.

1. Mechanical layout

Table 1 Mechanical Specifications

Dimension	LxWxH: 38mm x 35mm x 11mm
Connectors	Drop-in
Weight	0.12kg
Notes	Material shall be RoHS 6/6

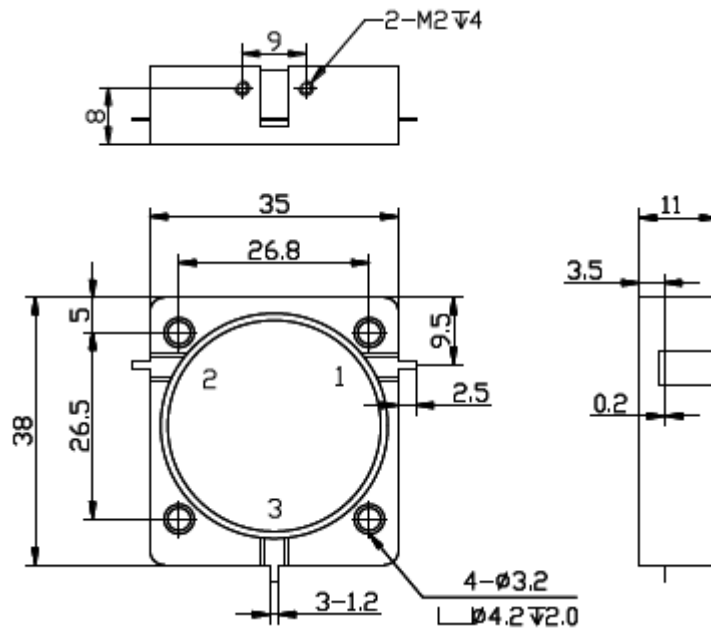


Figure 1 JX-TI-WG3538X-3 front panel layout

2. Electrical specifications

Table 2 Electrical specifications

Item	Parameter	Specification
1	Frequency range	806-815MHz
2	VSWR	≤ 1.2
3	Max insertion loss	≤ 0.3 dB
4	Isolation	≥ 25 dB
5	Forward Power	100W CW
6	Reverse Power	20W
7	Temperature range	-30°C ~ +75°C
8	Direction	Anti-clockwise

JING XIN MICROWAVE TECHNOLOGY CO.,LTD

E-mail: sales@cdjx-mw.com Web: <http://www.cdjx-mw.com>

TEL: +86-28-85026087 FAX: +86-28-65941390 Zip Code:610045

Add: No.65,West 1st Wu Ke Road, Wu Hou District, Cheng Du City, Si Chuan Province, China.