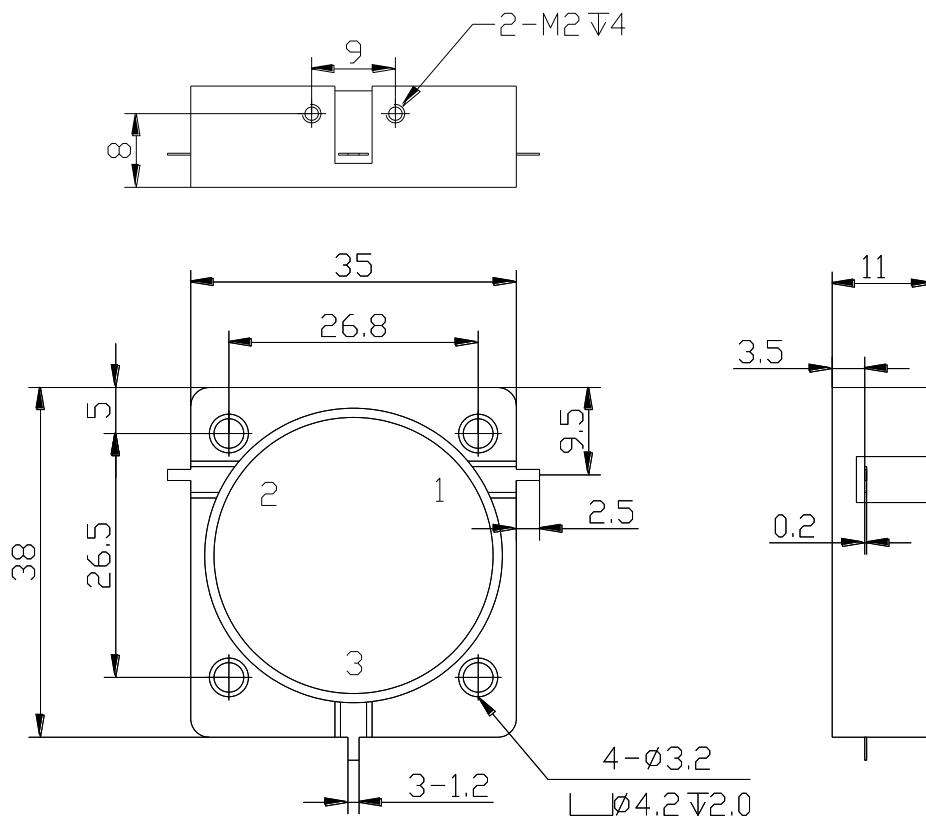


## Isolator : JX-TI-WG3538X-1

### Specification:

Frequency Range	763~775MHz
Insertion Loss	0.3dB Max
Isolation	25dB Min
VSWR	1.2 Max
Forward Power	100W CW
Reverse Power	20W
Direction	Anti-clockwise
Operating Temperature	-30°Cto+75°C
Weight	0.12kg .about
Connector Type	Drop-in
Configuration	As Below(±0.2mm)



成都旌信科技有限公司 JING XIN MICROWAVE TECHNOLOGY CO.,LTD

E-mail:sales@cdjx-mw.com http:// www.cdjx-mw.com

TEL: +86-28-85026087 FAX: +86-28-65941390

Add:成都市武侯区武青南路 33 号 武侯创业园 610045

NO.33 WuQing South Road,Wuhou District, ChengDu,China. Zip Code:610045