

# Technical Proposal for JX-CC5-694M2700M-4310F50 Cavity Combiner

- ◆ Low PIM
- ◆ DC/AISG
- ◆ High Performance
- ◆ Lightning Protection
- ◆ IP67
- ◆ High Reliability

## Revision History

Version	Date	Author	Revision description	Comment
V1.0	2019/03/14	Lin liqun	Created	/

**JING XIN MICROWAVE TECHNOLOGY CO.,LTD**

E-mail: [sales@cdjx-mw.com](mailto:sales@cdjx-mw.com) Web: <http://www.cdjx-mw.com>

TEL: +86-28-85026087 FAX: +86-28-65026087 ext.8033 Zip Code:610045

Add: No.65,West 1st Wu Ke Road, Wu Hou District, Cheng Du City, Si Chuan Province, China.

## Table of content

Technical Proposal for JX-CC5-694M2700M-4310F50 Cavity Combiner .....	1
1. Mechanical layout.....	3
2. Electrical analysis.....	4
2.1 Schematic diagram of the combiner.....	4
2.2 Electrical specifications .....	4

## Figures

Figure 1 JX-CC5-694M2700M-4310F50 front panel layout .....	3
Figure 2 Schematic diagram of the combiner .....	4

## Tables

Table 1 Mechanical specifications .....	3
Table 2 Electrical specifications.....	4

**JING XIN MICROWAVE TECHNOLOGY CO.,LTD**

E-mail: [sales@cdjx-mw.com](mailto:sales@cdjx-mw.com) Web: <http://www.cdjx-mw.com>

TEL: +86-28-85026087 FAX: +86-28-65026087 ext.8033 Zip Code:610045

Add: No.65,West 1st Wu Ke Road, Wu Hou District, Cheng Du City, Si Chuan Province, China.

## 1. Mechanical layout

Table 1 Mechanical specifications

Dimension	L x W x H: 270mm x195mm x 55mm
Port connectors	4.3-10/Female
Weight	4kg
Relative humidity	5%~95%
Ingress Protection	Indoor/Outdoor Use, IP67
Notes	Material shall be RoHS 6/6

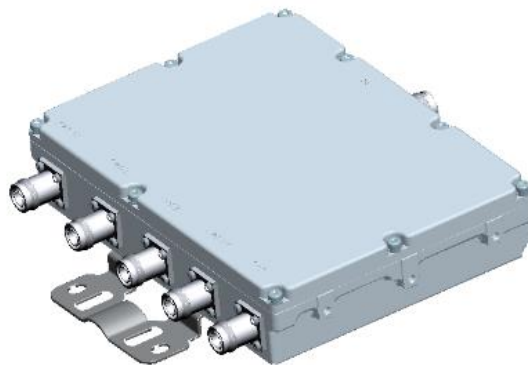
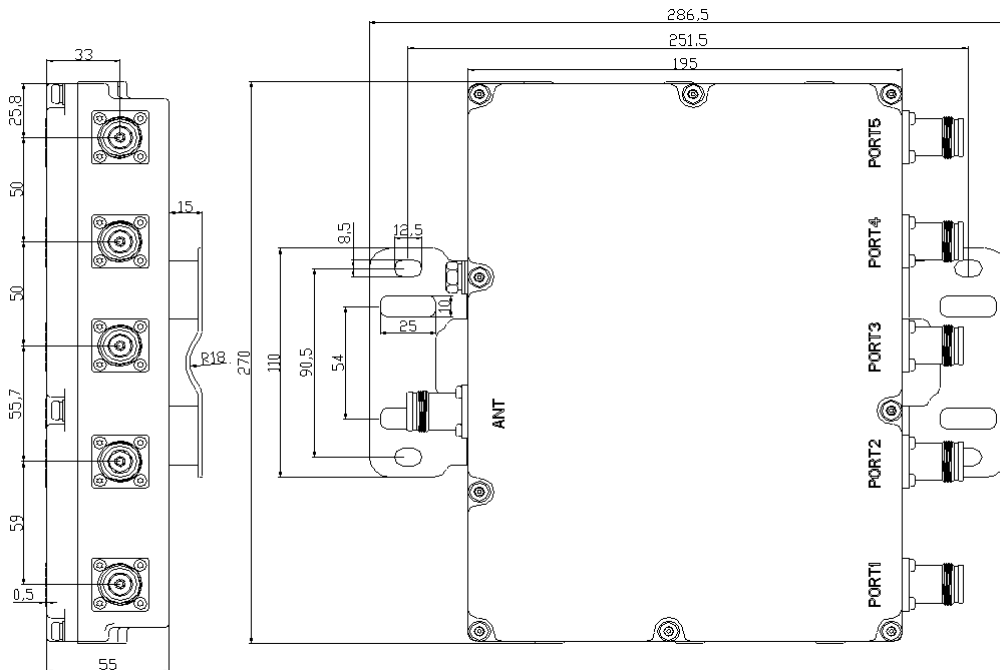


Figure 1 JX-CC5-694M2700M-4310F50 front panel layout

**JING XIN MICROWAVE TECHNOLOGY CO.,LTD**

E-mail: [sales@cdjx-mw.com](mailto:sales@cdjx-mw.com) Web: <http://www.cdjx-mw.com>

TEL: +86-28-85026087 FAX: +86-28-65026087 ext.8033 Zip Code:610045

Add: No.65,West 1st Wu Ke Road, Wu Hou District, Cheng Du City, Si Chuan Province, China.

## 2. Electrical analysis

### 2.1 Schematic diagram of the combiner

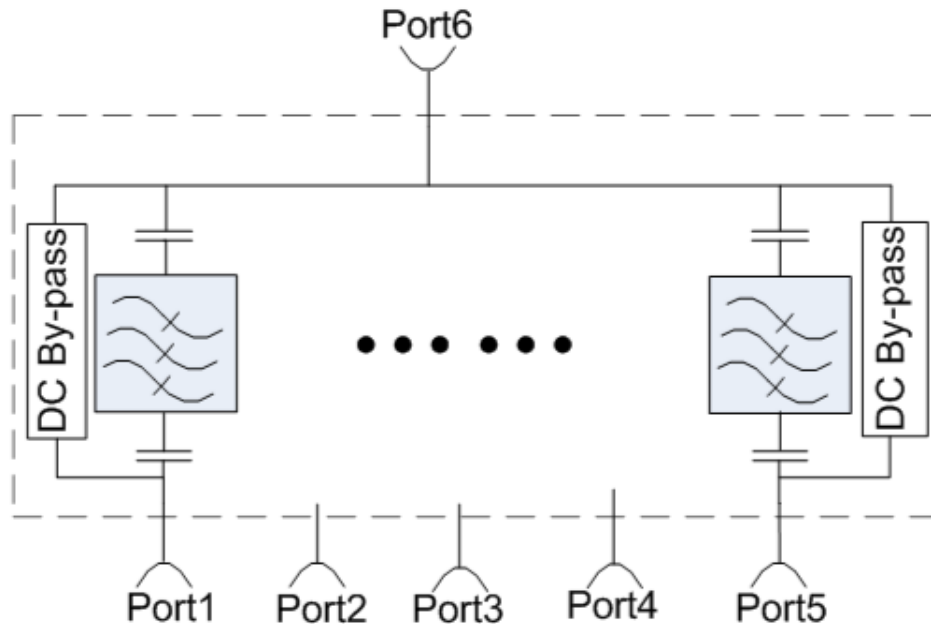


Figure 2 Schematic diagram of the combiner

### 2.2 Electrical specifications

Table 2 Electrical specifications

Item	Parameter	Port1	Port2	Port3	Port4	Port5
1	Frequency range	1920-2170M Hz	1710-1880M Hz	2500-2700M Hz	694-803M Hz	824-960M Hz
2	Insertion loss	≤0.5dB				
3	Return loss	≥19dB				
4	Isolation	≥50dB				
5	Power	200W				
6	Impedance	50Ω				
7	DC/AISG	By-pass(max.3000 mA)				
8	Lightning protection	10KA; 10/350us pulse				
9	Intermodulation	-150/155/160dBc@2x43dBm(3 <sup>rd</sup> order)				
10	Temperature range	-20°C to +60°C				
11	Storage temperature	-40 °C to +85 °C				

**JING XIN MICROWAVE TECHNOLOGY CO.,LTD**

E-mail: [sales@cdjx-mw.com](mailto:sales@cdjx-mw.com) Web: <http://www.cdjx-mw.com>

TEL: +86-28-85026087 FAX: +86-28-65026087 ext.8033 Zip Code:610045

Add: No.65,West 1st Wu Ke Road, Wu Hou District, Cheng Du City, Si Chuan Province, China.