

Technical Proposal for JX-CC1-698M2700M-25D Cavity Combiner

Revision History

Version	Date	Author	Revision description	Comment
V1.0	2017/07/03	Lin liqun	Created	

JING XIN MICROWAVE TECHNOLOGY CO.,LTD

E-mail: sales@cdjx-mw.com Web: <http://www.cdjx-mw.com>

TEL: +86-28-85026087 FAX: +86-28-65941390 Zip Code:610045

Add: No.65,West 1st Wu Ke Road, Wu Hou District, Cheng Du City, Si Chuan Province, China.

Table of content

Technical Proposal for JX-CC1-698M2700M-25D Cavity Combiner	1
1. Mechanical layout.....	3
2. Electrical analysis.....	4
2.1 Schematic diagram of the Combiner.....	4
2.2 Electrical specifications	4

Figures

Figure 1 JX-CC1-698M2700M-25D front panel layout	3
Figure 2 Schematic diagram of the Combiner	4

Tables

Table 1 Mechanical Specifications	3
Table 2 Electrical specifications.....	4

JING XIN MICROWAVE TECHNOLOGY CO.,LTD

E-mail: sales@cdjx-mw.com Web: <http://www.cdjx-mw.com>

TEL: +86-28-85026087 FAX: +86-28-65941390 Zip Code:610045

Add: No.65,West 1st Wu Ke Road, Wu Hou District, Cheng Du City, Si Chuan Province, China.

1. Mechanical layout

Table 1 Mechanical Specifications

Dimension	LxWxH: 255mm x 208mm x 99mm
Port connectors	DIN-Female
Wall / Mast mounting	part of delivery
Weight	4.7 Kg
Notes	Material shall be RoHS 6/6

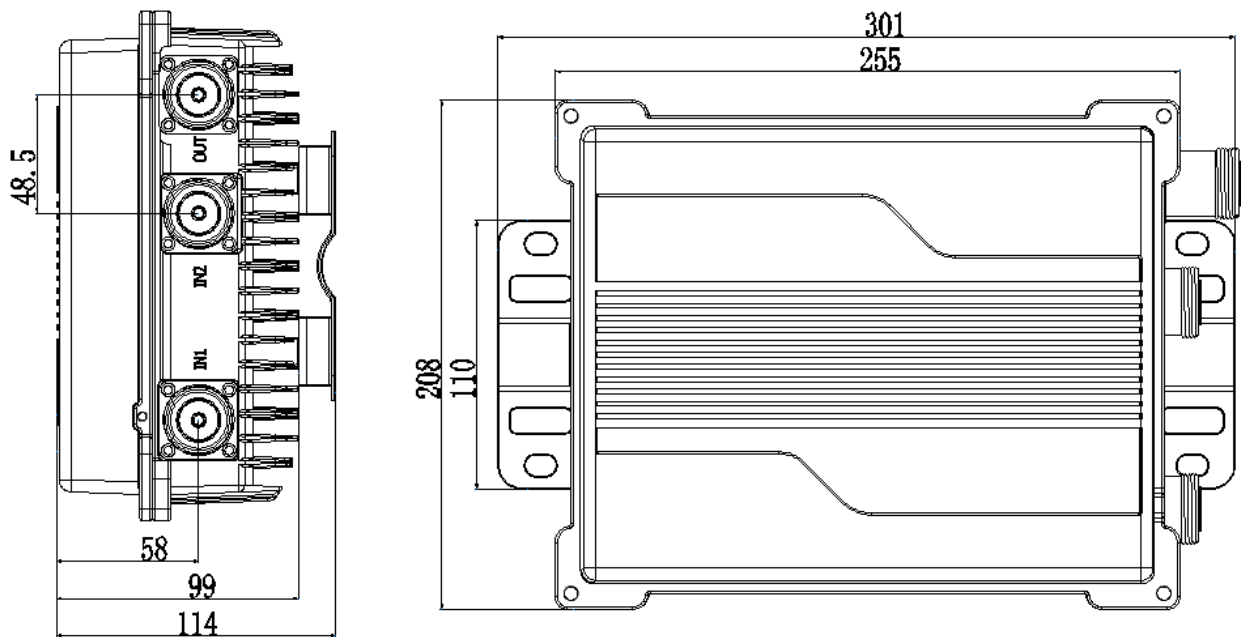


Figure 1 JX-CC1-698M2700M-25D front panel layout

JING XIN MICROWAVE TECHNOLOGY CO.,LTD

E-mail: sales@cdjx-mw.com Web: <http://www.cdjx-mw.com>

TEL: +86-28-85026087 FAX: +86-28-65941390 Zip Code:610045

Add: No.65,West 1st Wu Ke Road, Wu Hou District, Cheng Du City, Si Chuan Province, China.

2. Electrical analysis

2.1 Schematic diagram of the Combiner

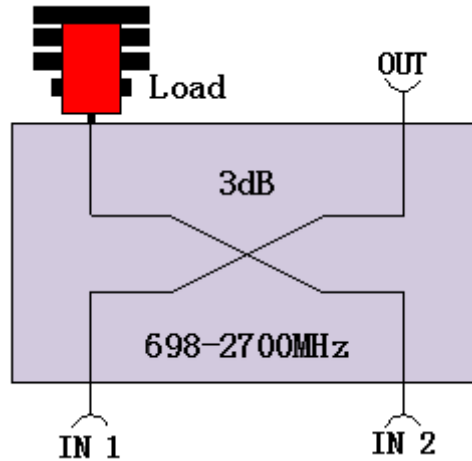


Figure 2 Schematic diagram of the Combiner

2.2 Electrical specifications

Table 2 Electrical specifications

Item	Parameter	Spec
1	Frequency range	698-2700 MHz
2	Return loss	≥20dB
3	Coupling attenuation	3 dB +/- 0.6 dB@ 698 – 800MHz
		3 dB +/- 0.5 dB@ 800 – 2700MHz
4	Isolation	≥25dB
5	power	≤100W
6	PIM3	≤-150 dBc @2*43dBm
7	Test voltage	500 V
8	DC path IN1 ↔OUT	(max. 2.5 A AISG conform)
9	Environmental conditions	ETSI EN 300019-1-1 Class 1.2
		ETSI EN 300019-1-2 Class 2.3
		ETSI EN 300019-1-4 Class 4.1E
10	Temperature range	-20 °C ~ +60 °C
11	Ingress Protection	Indoor/Outdoor Use, IP66

JING XIN MICROWAVE TECHNOLOGY CO.,LTD

E-mail: sales@cdjx-mw.com Web: <http://www.cdjx-mw.com>

TEL: +86-28-85026087 FAX: +86-28-65941390 Zip Code:610045

Add: No.65,West 1st Wu Ke Road, Wu Hou District, Cheng Du City, Si Chuan Province, China.