

Technical Proposal for JX-CD2-17102700-20N Cavity Duplexer

Revision History

Version	Date	Author	Revision description	Comment
V1.0	2018/02/01	Lee	Created	

JING XIN MICROWAVE TECHNOLOGY CO.,LTD

E-mail: sales@cdjx-mw.com Web: <http://www.cdjx-mw.com>

TEL: +86-28-85026087 FAX: +86-28-65941390 Zip Code:610045

Add: No.65,West 1st Wu Ke Road, Wu Hou District, Cheng Du City, Si Chuan Province, China.

Table of content

Technical Proposal for JX-CD2-17102700-20N Cavity Duplexer	1
1. Mechanical layout.....	3
2. Electrical analysis.....	4
2.1 Schematic diagram of the Duplexer	4
2.2 Electrical specifications	4
2.3 The simulation curve	5

Figures

Figure 1 JX-CD2-17102700-20N front panel layout	3
Figure 2 Topology of the Duplexer	4
Figure 3 The simulation curve of LOW Band.....	5
Figure 4 The simulation curve of HIGH Band.....	5

Tables

Table 1 Mechanical Specifications	3
Table 2 Electrical specifications.....	4

JING XIN MICROWAVE TECHNOLOGY CO.,LTD

E-mail: sales@cdjx-mw.com Web: <http://www.cdjx-mw.com>

TEL: +86-28-85026087 FAX: +86-28-65941390 Zip Code:610045

Add: No.65,West 1st Wu Ke Road, Wu Hou District, Cheng Du City, Si Chuan Province, China.

1. Mechanical layout

Table 1 Mechanical Specifications

Dimension	LxWxH: 120mm x 98mm x 36mm (Max 43mm)
Port connectors	N-female
Finish	Silver
Notes	Material shall be RoHS 6/6

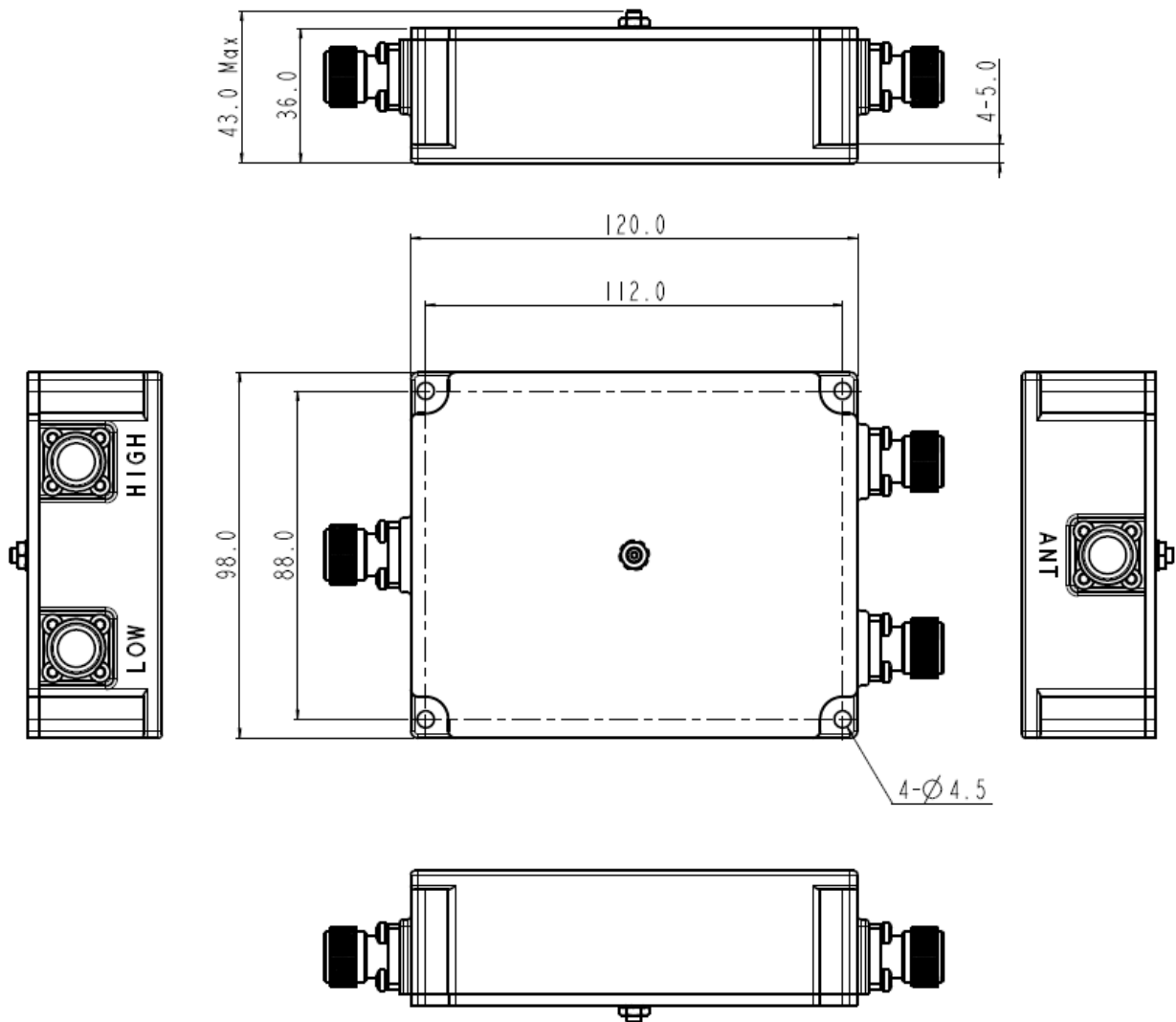


Figure 1 JX-CD2-17102700-20N front panel layout

JING XIN MICROWAVE TECHNOLOGY CO.,LTD

E-mail: sales@cdjx-mw.com Web: <http://www.cdjx-mw.com>

TEL: +86-28-85026087 FAX: +86-28-65941390 Zip Code:610045

Add: No.65,West 1st Wu Ke Road, Wu Hou District, Cheng Du City, Si Chuan Province, China.

2. Electrical analysis

2.1 Schematic diagram of the Duplexer

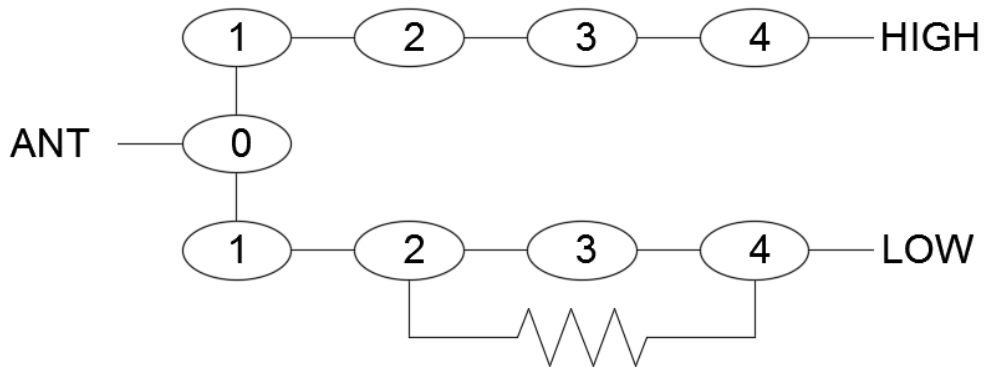


Figure 2 Topology of the Duplexer

2.2 Electrical specifications

Table 2 Electrical specifications

Item	Parameter	LOW Band	HIGH Band
1	Frequency range	1710-2170 MHz	2500-2700 MHz
2	Return loss	≥15 dB	
3	Insertion loss	≤0.8 dB Typical 0.5 dB	
4	Isolation	≥20 dB@ 1710-2170 MHz&2500-2700 MHz	
5	Average power	100 W @ ANT port	
6	Temperature range	-20 °C ~ +70 °C	

JING XIN MICROWAVE TECHNOLOGY CO.,LTD

E-mail: sales@cdjx-mw.com Web: <http://www.cdjx-mw.com>

TEL: +86-28-85026087 FAX: +86-28-65941390 Zip Code:610045

Add: No.65,West 1st Wu Ke Road, Wu Hou District, Cheng Du City, Si Chuan Province, China.

2.3 The simulation curve

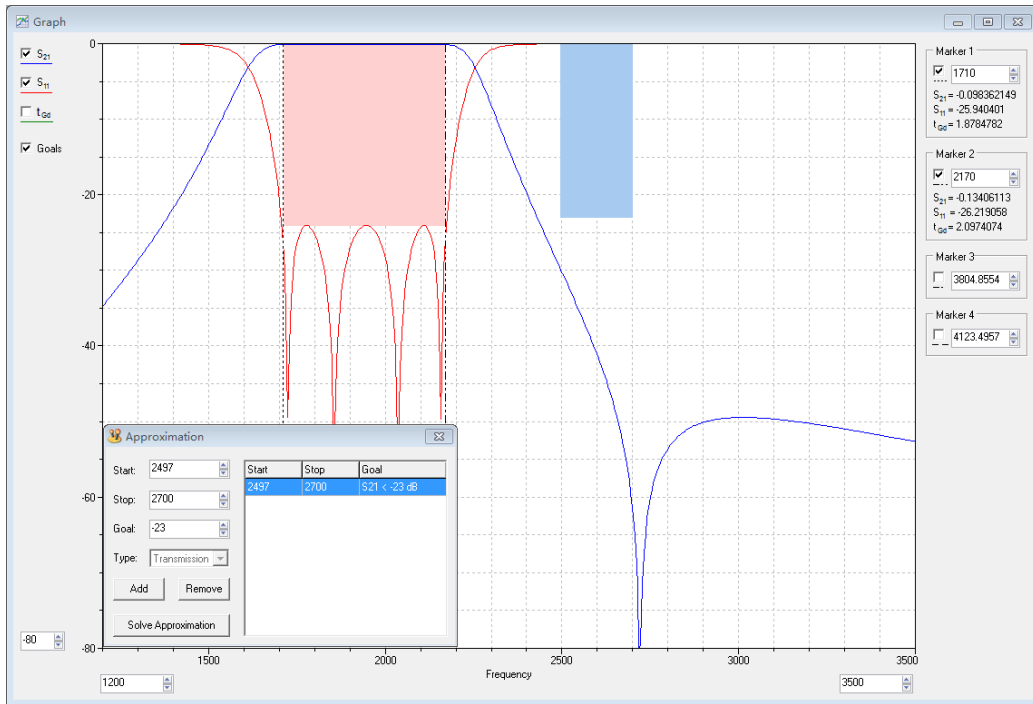


Figure 3 The simulation curve of LOW Band

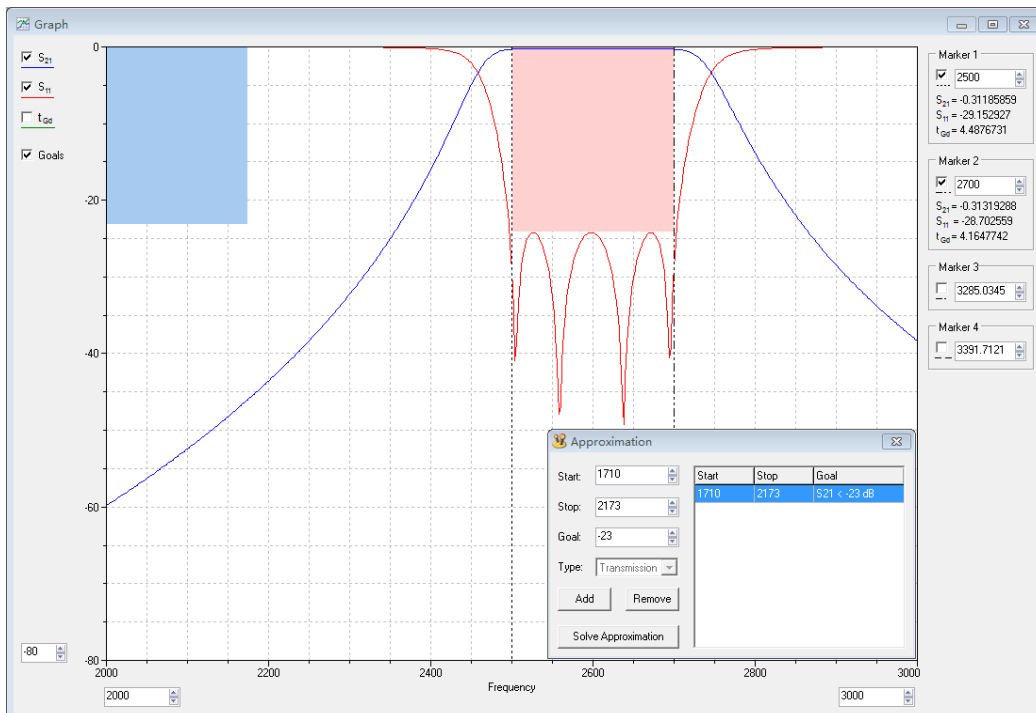


Figure 4 The simulation curve of HIGH Band

JING XIN MICROWAVE TECHNOLOGY CO.,LTD

E-mail: sales@cdjx-mw.com Web: <http://www.cdjx-mw.com>

TEL: +86-28-85026087 FAX: +86-28-65941390 Zip Code:610045

Add: No.65,West 1st Wu Ke Road, Wu Hou District, Cheng Du City, Si Chuan Province, China.