

Technical proposal for JX-698-2700-200W 3dB Hybrid

Revision History

| Version | Date | Author | Revision description | Comment |
|---------|------------|-----------|---|---------|
| A1 | 2010/06/18 | Sam Chen | Created | / |
| A2 | 2020/09/04 | Liqun Lin | Update front panel layout and Electrical specifications | / |

Table of content

| | |
|---|---|
| Technical proposal for JX-698-2700-200W 3dB Hybrid..... | 1 |
| 1. Mechanical layout..... | 2 |
| 2. Electrical specifications | 2 |

Figures

| | |
|---|---|
| Figure 1 JX-698-2700-200W front panel layout..... | 2 |
|---|---|

Tables

| | |
|---|---|
| Table 1 Mechanical specifications | 2 |
| Table 2 Electrical specifications..... | 2 |

JING XIN MICROWAVE TECHNOLOGY CO.,LTD

E-mail: sales@cdjx-mw.com Web: <http://www.cdjx-mw.com>

TEL: +86-28-85026087 FAX: +86-28-65026087 ext.8033 Zip Code:610045

Add: No.65,West 1st Wu Ke Road, Wu Hou District, Cheng Du City, Si Chuan Province, China.

1. Mechanical layout

Table 1 Mechanical specifications

| | |
|--------------|----------------------------|
| Dimension | LxWxH: 146mm x 46mm x 23mm |
| Connector | N-Female |
| Finish | Black |
| Applications | IP65 |
| Notes | Material shall be RoHS 6/6 |

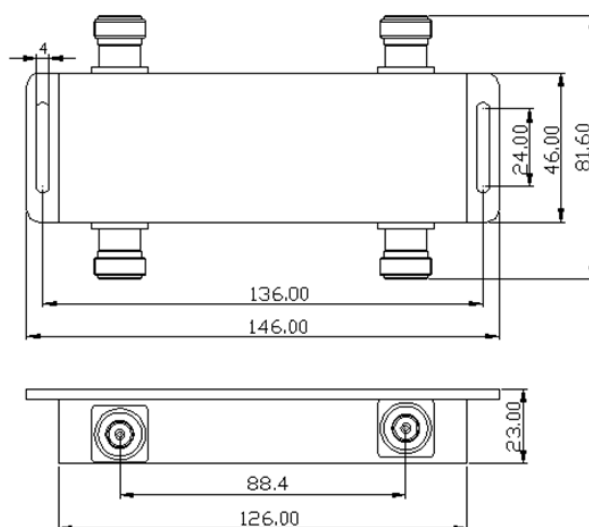


Figure 1 JX-698-2700-200W front panel layout

2. Electrical specifications

Table 2 Electrical specifications

| Item | Parameter | Specification |
|------|-----------------------|--|
| 1 | Frequency rang | 698-2700MHz |
| 2 | Coupling | 3.1±0.5 dB |
| 3 | VSWR | ≤ 1.25:1 |
| 4 | Insertion loss | ≤ 0.2 dB |
| 5 | Input isolation | ≥ 25 dB |
| 6 | PIM3 | -155 dBc@2*43dBm (Measured reflection 900 MHz, 1800 MHz) |
| 7 | Power | 200 W |
| 8 | Impedance | 50 Ω |
| 9 | Operating temperature | -30 to +85℃ |

JING XIN MICROWAVE TECHNOLOGY CO.,LTD

E-mail: sales@cdjx-mw.com Web: <http://www.cdjx-mw.com>

TEL: +86-28-85026087 FAX: +86-28-65026087 ext.8033 Zip Code:610045

Add: No.65,West 1st Wu Ke Road, Wu Hou District, Cheng Du City, Si Chuan Province, China.