

# Technical proposal for JX-BC-575M3800M-N200 3dB Bridge

- ◆ IP65
- ◆ High Performance
- ◆ High Reliability

## Revision History

Version	Date	Author	Revision description	Comment
V1.0	2019/05/22	Lin liqun	Created	/
V1.1	2020/08/28	Lee	Updated the mechanical layout	JingXin request
V1.2	2020/09/02	Lin liqun	Update Mechanical specifications and front panel layout and Electrical specifications	/

## Table of content

Technical proposal for JX-BC-575M3800M-N200 3dB Bridge .....	1
1. Mechanical layout.....	2
2. Electrical Specifications .....	2

## Figures

Figure 1 JX-BC-575M3800M-N200 front panel layout .....	2
--	---

## Tables

Table 1 Mechanical specifications .....	2
Table 2 Electrical specifications.....	2

**JING XIN MICROWAVE TECHNOLOGY CO.,LTD**

E-mail: [sales@cdjx-mw.com](mailto:sales@cdjx-mw.com) Web: <http://www.cdjx-mw.com>

TEL: +86-28-85026087 FAX: +86-28-65026087 ext.8033 Zip Code:610045

Add: No.65,West 1st Wu Ke Road, Wu Hou District, Cheng Du City, Si Chuan Province, China.

## 1. Mechanical layout

Table 1 Mechanical specifications

Dimension	LxWxH: 155mm x 49mm x 35mm
Connectors	N-Female
Ingress Protection	IP65
Notes	Material shall be RoHS 6/6

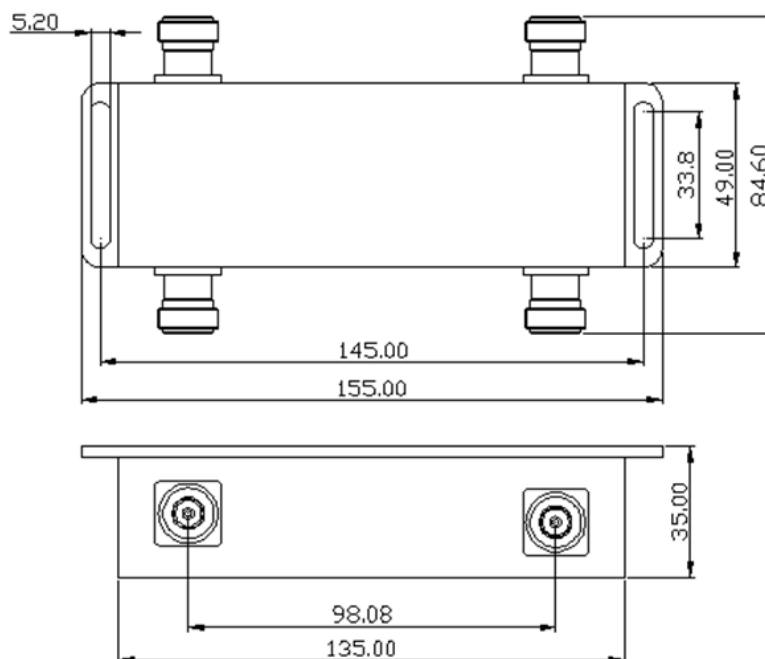


Figure 1 JX-BC-575M3800M-N200 front panel layout

## 2. Electrical specifications

Table 2 Electrical specifications

Item	Parameter	Specification
1	Frequency range	575-3800MHz
2	Coupling	3.1dB +/-0.9dB
3	VSWR	≤1.25:1
4	Isolation	≥23dB
5	Power	200W
6	Impedance all ports	50Ω
7	PIM3	<-155dBc@2*43dBm
8	Temperature range	-25°C to +85°C

**JING XIN MICROWAVE TECHNOLOGY CO.,LTD**

E-mail: [sales@cdjx-mw.com](mailto:sales@cdjx-mw.com) Web: <http://www.cdjx-mw.com>

TEL: +86-28-85026087 FAX: +86-28-65026087 ext.8033 Zip Code:610045

Add: No.65,West 1st Wu Ke Road, Wu Hou District, Cheng Du City, Si Chuan Province, China.