

Technical proposal for JX-DF-RN-25-3 Coaxial Load

Revision History

Version	Date	Author	Revision description	Comment
V1.0	2017/11/23	Lin liqun	Created	/

JING XIN MICROWAVE TECHNOLOGY CO.,LTD

E-mail: sales@cdjx-mw.com Web: <http://www.cdjx-mw.com>

TEL: +86-28-85026087 FAX: +86-28-65941390 Zip Code:610045

Add: No.65,West 1st Wu Ke Road, Wu Hou District, Cheng Du City, Si Chuan Province, China.

Table of content

Technical proposal for JX-DF-RN-25-3 Coaxial Load.....	1
1. Mechanical layout.....	3
2. Electrical Specifications.....	3

Figures

Figure 1 JX -DF-RN-25-3 front panel layout.....	3
-------------------------------------------------	---

Tables

Table 1 Mechanical Specifications	3
Table 2 Electrical specifications.....	3

JING XIN MICROWAVE TECHNOLOGY CO.,LTD

E-mail: sales@cdjx-mw.com Web: <http://www.cdjx-mw.com>

TEL: +86-28-85026087 FAX: +86-28-65941390 Zip Code:610045

Add: No.65,West 1st Wu Ke Road, Wu Hou District, Cheng Du City, Si Chuan Province, China.

1. Mechanical layout

Table 1 Mechanical Specifications

Dimension	Φ45mm×90mm (±0.5mm)
Connectors	N-Male
Weight	198g
Notes	Material shall be RoHS 6/6

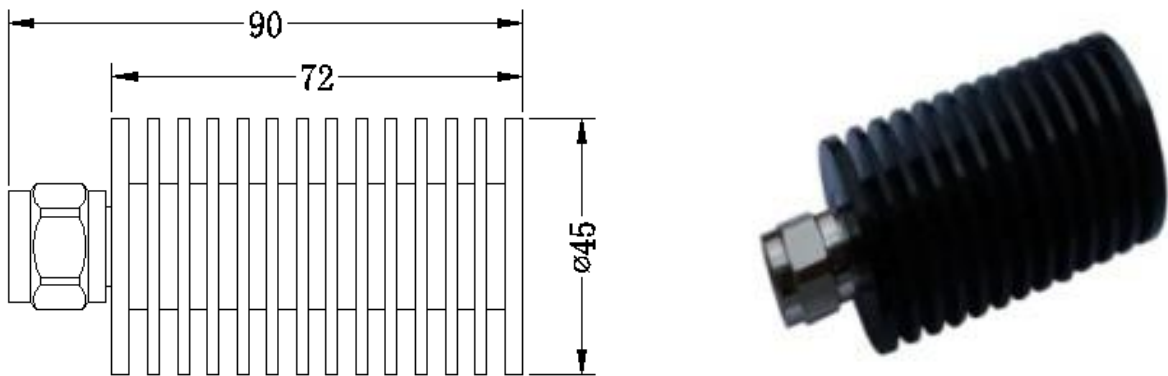


Figure 1 JX -DF-RN-25-3 front panel layout

2. Electrical Specifications

Table 2 Electrical specifications

Item	Parameter	Specification
1	Frequency range	DC-3GHz
2	VSWR	≤1.2
3	Power	25W
4	Temperature range	-55°C~ +125°C
5	Impedance all ports	50Ω

JING XIN MICROWAVE TECHNOLOGY CO.,LTD

E-mail: sales@cdjx-mw.com Web: <http://www.cdjx-mw.com>

TEL: +86-28-85026087 FAX: +86-28-65941390 Zip Code:610045

Add: No.65,West 1st Wu Ke Road, Wu Hou District, Cheng Du City, Si Chuan Province, China.