

# Technical proposal for JX-RFC-DC110G-1.0MMF4 Connector

- ◆ High Performance
- ◆ High Reliability

## Revision History

Version	Date	Author	Revision description	Comment
V1.0	2022/05/07	Vivian	Created	/

## Table of content

Technical proposal for JX-RFC-DC110G-1.0MMF4 Connector.....	1
1. Mechanical layout.....	2
2. Electrical analysis.....	2

## Figures

Figure 1 JX-RFC-DC110G-1.0MMF4 front panel layout .....	2
---	---

## Tables

Table 1 Mechanical specifications .....	2
Table 2 Electrical specifications.....	2

**JING XIN MICROWAVE TECHNOLOGY CO.,LTD**

E-mail: [sales@cdjx-mw.com](mailto:sales@cdjx-mw.com) Web: <http://www.cdjx-mw.com>

TEL: +86-28-85026087 FAX: +86-28-65026087 ext.8033 Zip Code:610045

Add: No.65,West 1st Wu Ke Road, Wu Hou District, Cheng Du City, Si Chuan Province, China.

## 1. Mechanical layout

Table 1 Mechanical specifications

Dimension	As shown in the figure below
Connectors	1.0MM-Female
CONTACT	BeCu C17300 GOLD PLATE
Housing	SUS303
CAPTURE BEAD:	ULTEM
ITEM:	MATERIAL & FINISH
Notes	Material shall be RoHS 6/6

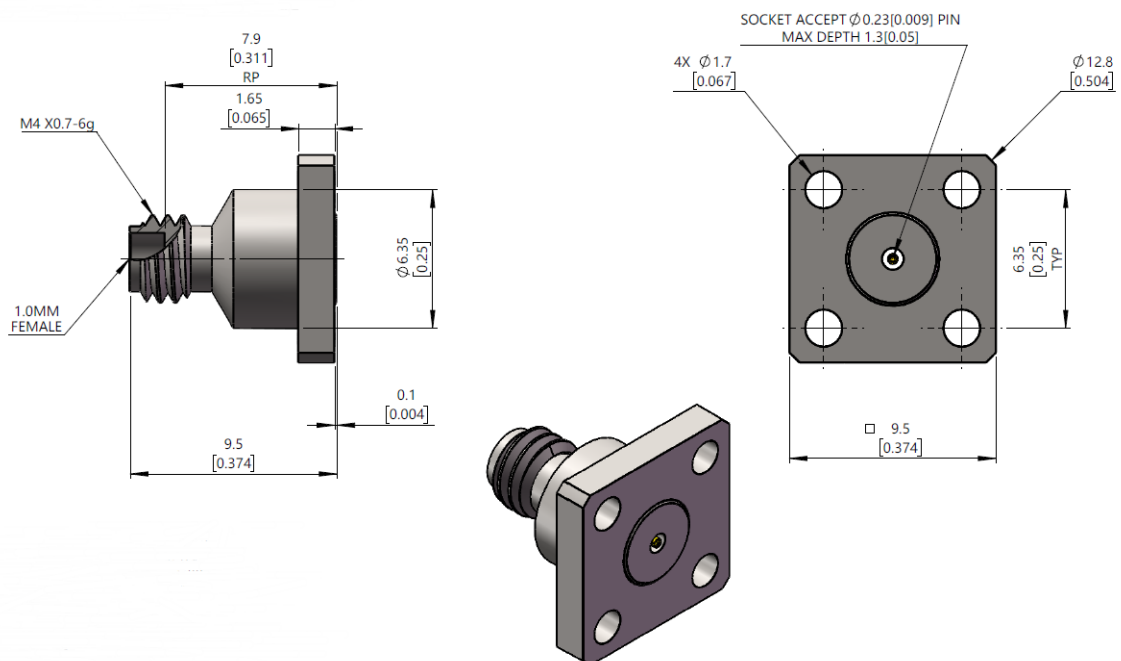


Figure 1 JX-RFC-DC110G-1.0MMF4 front panel layout

## 2. Electrical analysis

Table 2 Electrical specifications

Item	Parameter	Specifications
1	Frequency	DC:110GHz
2	VSWR	1.35(MAX)

**JING XIN MICROWAVE TECHNOLOGY CO.,LTD**

E-mail: [sales@cdjx-mw.com](mailto:sales@cdjx-mw.com) Web: <http://www.cdjx-mw.com>

TEL: +86-28-85026087 FAX: +86-28-65026087 ext.8033 Zip Code:610045

Add: No.65,West 1st Wu Ke Road, Wu Hou District, Cheng Du City, Si Chuan Province, China.