

Technical proposal for JX-LCC2-130M2700M-30NF LC Combiner

◆ High Performance

◆ High Reliability

Revision History

Version	Date	Author	Revision description	Comment
V1.0	2022/02/13	Vivian	Created	/

Table of content

Technical proposal for JX-LCC2-130M2700M-30NF LC Combiner.....	1
1. Mechanical layout.....	2
2. Electrical analysis.....	2
2.1 Electrical specifications	2
2.2 The simulation curve	3

Figures

Figure 1 JX-LCC2-130M2700M-30NF front panel layout.....	2
Figure 2 The simulation curve of CH1 band	3
Figure 3 The simulation curve of CH2 band	3

Tables

Table 1 Mechanical specifications	2
Table 2 Electrical specifications.....	2

JING XIN MICROWAVE TECHNOLOGY CO.,LTD

E-mail: sales@cdix-mw.com Web: <http://www.cdix-mw.com>

TEL: +86-28-85026087 FAX: +86-28-65026087 ext.8033 Zip Code:610045

Add: No.65,West 1st Wu Ke Road, Wu Hou District, Cheng Du City, Si Chuan Province, China.

1. Mechanical layout

Table 1 Mechanical specifications

Dimension	L x W x H: 60mm x 40mm x 25mm
Connectors	N-Female
Finish	Conductive oxidation
Notes	Material shall be RoHS 6/6

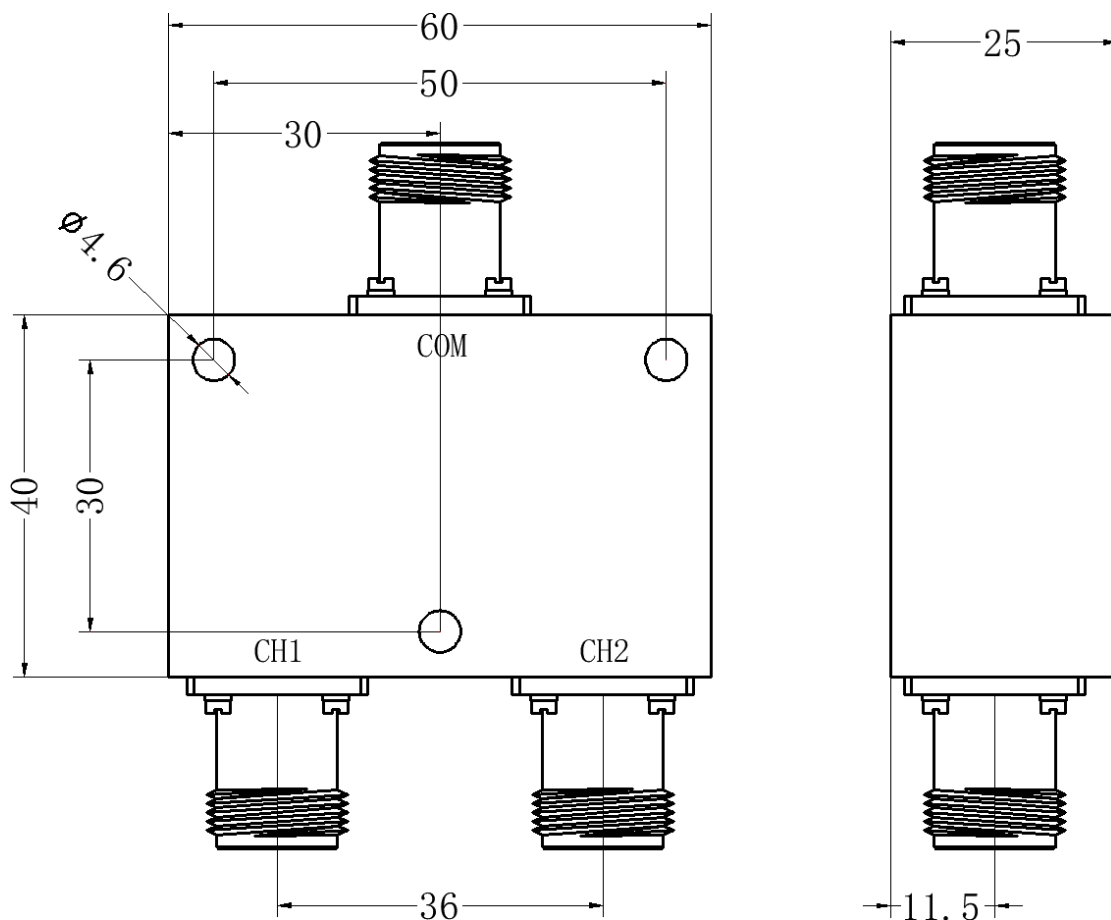


Figure 1 JX-LCC2-130M2700M-30NF front panel layout

2. Electrical analysis

2.1 Electrical specifications

Table 2 Electrical specifications

JING XIN MICROWAVE TECHNOLOGY CO.,LTD

E-mail: sales@cdix-mw.com Web: <http://www.cdix-mw.com>

TEL: +86-28-85026087 FAX: +86-28-65026087 ext.8033 Zip Code:610045

Add: No.65,West 1st Wu Ke Road, Wu Hou District, Cheng Du City, Si Chuan Province, China.

Item	Parameter	Specifications	
		CH1	CH2
1	Frequency range	130-480MHz	680-2700MHz
2	Insertion loss	≤1.0dB	≤1.0dB
3	VSWR	≤1.5	
4	Isolation	≥30dB	
5	Temperature range	-25℃~+45℃	
6	Impedance	50Ω	
7	Power	20W CW	

2.2 The simulation curve

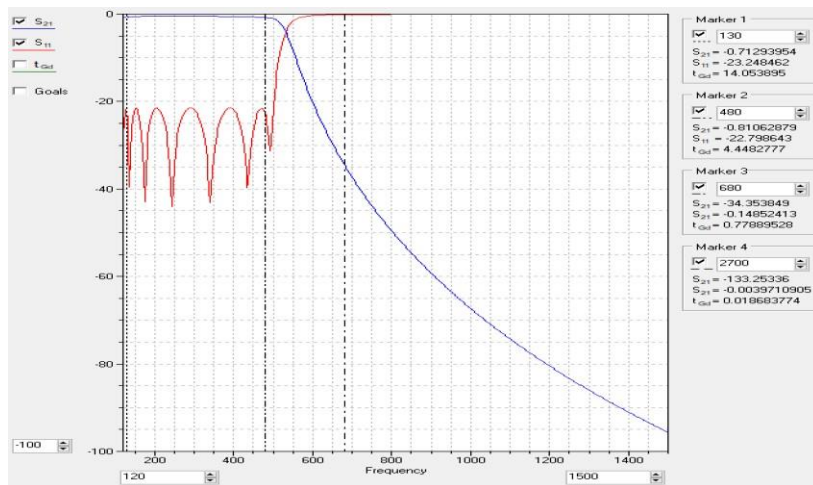


Figure 2 The simulation curve of CH1 band

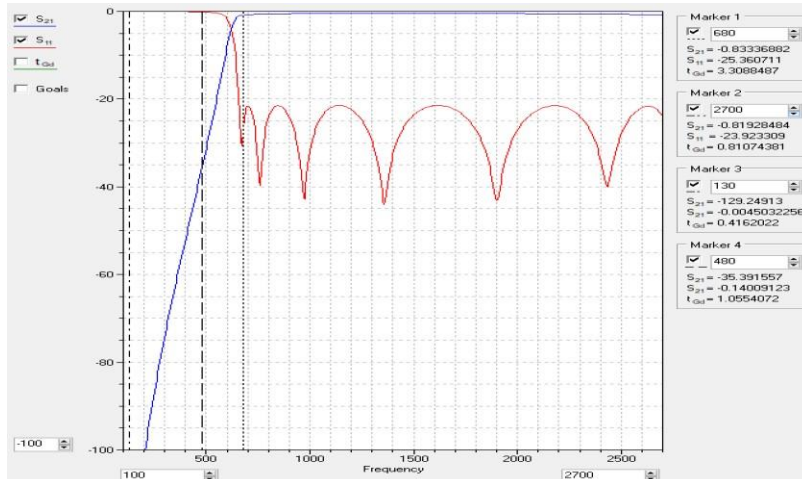


Figure 3 The simulation curve of CH2 band

JING XIN MICROWAVE TECHNOLOGY CO.,LTD

E-mail: sales@cdix-mw.com Web: <http://www.cdix-mw.com>

TEL: +86-28-85026087 FAX: +86-28-65026087 ext.8033 Zip Code:610045

Add: No.65,West 1st Wu Ke Road, Wu Hou District, Cheng Du City, Si Chuan Province, China.