

Technical proposal for JX-CI-150M160M-75NF Triple Coaxial Isolator

- ◆ High Performance
- ◆ High Reliability

Revision History

Version	Date	Author	Revision description	Comment
V1.0	2022/7/11	Vivian	Created	/
				/

Table of content

Technical proposal for JX-CI-150M160M-75NF Triple Coaxial Isolator.....	1
1. Mechanical layout.....	2
2. Electrical analysis.....	2

Figures

Figure 1 JX-CI-150M160M-75NF front panel layout.....	2
--	---

Tables

Table 1 Mechanical specifications	2
Table 2 Electrical specifications.....	2

JING XIN MICROWAVE TECHNOLOGY CO.,LTD

E-mail: sales@cdjx-mw.com Web: <http://www.cdjx-mw.com>

TEL: +86-28-85026087 FAX: +86-28-65026087 ext.8033 Zip Code:610045

Add: No.65,West 1st Wu Ke Road, Wu Hou District, Cheng Du City, Si Chuan Province, China.

1. Mechanical layout

Table 1 Mechanical specifications

Dimension	As shown below
Connectors	N-K(F)
Notes	Material shall be RoHS 6/6

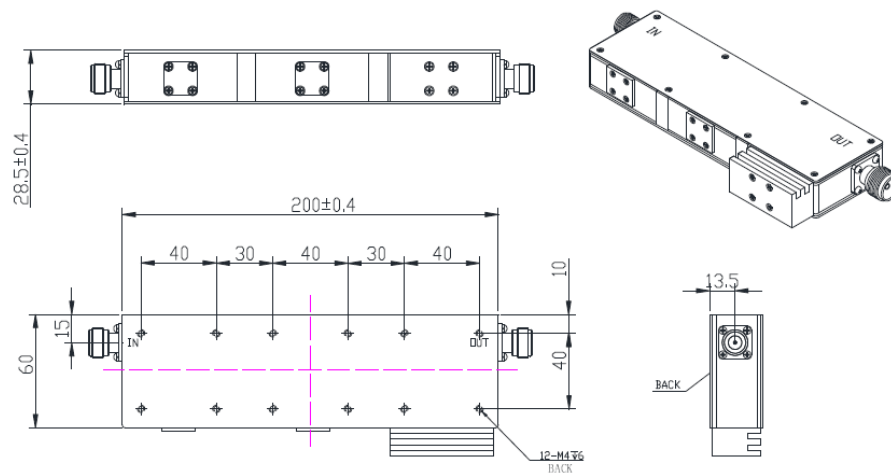


Figure 1 JX-CI-150M160M-75NF front panel layout

2. Electrical analysis

Table 2 Electrical specifications

Item	Parameter	Specifications
1	Frequency Range	150-160MHz
2	Insertion Loss	1.2dB max
3	Isolation	75dB min@ Room temperature 70dB min@ 60 °C 55dB min@ -10 °C
4	VSWR	1.20max@ Room temperature 1.20max@ 60 °C 1.3@ -10 °C
5	Forward Power	150W CW
6	Reverse Power	100W
7	Temperature	-10°C to +60°C

JING XIN MICROWAVE TECHNOLOGY CO.,LTD

E-mail: sales@cdjx-mw.com Web: <http://www.cdjx-mw.com>

TEL: +86-28-85026087 FAX: +86-28-65026087 ext.8033 Zip Code:610045

Add: No.65,West 1st Wu Ke Road, Wu Hou District, Cheng Du City, Si Chuan Province, China.