

Technical proposal for JX-PL-DC40G-2W 2.92 Load

- ◆ Small Volume
- ◆ High Performance
- ◆ High Reliability

Revision History

Version	Date	Author	Revision description	Comment
V1.0	2019/07/03	Lee	Created	/
V1.1	2019/07/12	Lee	Updated the mechanical layout and the electrical specification	JingXin request

Table of content

Technical proposal for JX-PL-DC40G-2W 2.92 Load	1
1. Mechanical layout.....	2
2. Electrical analysis.....	2

Figures

Figure 1 JX-PL-DC40G-2W front panel layout	2
--	---

Tables

Table 1 Mechanical specifications	2
Table 2 Electrical specifications.....	2

JING XIN MICROWAVE TECHNOLOGY CO.,LTD

E-mail: sales@cdjx-mw.com Web: <http://www.cdjx-mw.com>

TEL: +86-28-85026087 FAX: +86-28-65026087 ext.8033 Zip Code:610045

Add: No.65,West 1st Wu Ke Road, Wu Hou District, Cheng Du City, Si Chuan Province, China.

1. Mechanical layout

Table 1 Mechanical specifications

Dimension	8.4* ϕ 9.0
Connectors	2.92-Male
Housing	Stainless Steel, Passivated
Center Conductor	Beryllium Copper, Gold Plated
Insulators	PEEK
Notes	Material shall be RoHS 6/6

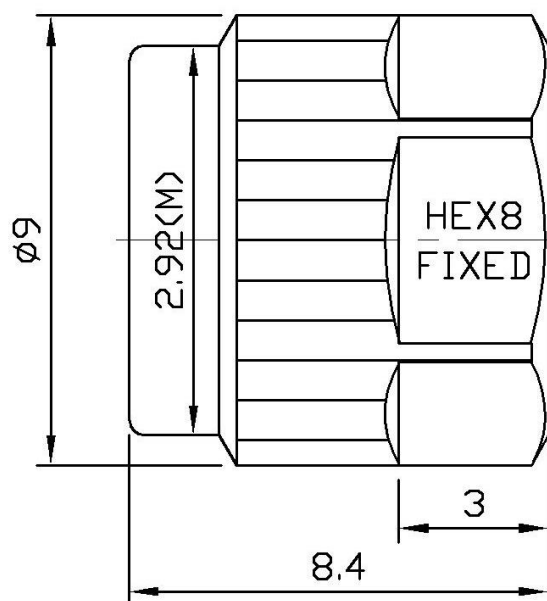


Figure 1 JX-PL-DC40G-2W front panel layout

2. Electrical analysis

Table 2 Electrical specifications

Frequency range	DC-40GHz
VSWR	≤ 1.35
Average power	2W @ $\leq 25^{\circ}\text{C}$
	0.5W @ 100°C
Peak power	100W (5 μ s Max pulse width; 2% Max duty-cycle)
Impedance	50 Ω
Temperature range	-55°C to $+100^{\circ}\text{C}$

JING XIN MICROWAVE TECHNOLOGY CO.,LTD

E-mail: sales@cdjx-mw.com Web: <http://www.cdjx-mw.com>

TEL: +86-28-85026087 FAX: +86-28-65026087 ext.8033 Zip Code:610045

Add: No.65,West 1st Wu Ke Road, Wu Hou District, Cheng Du City, Si Chuan Province, China.