

Technical Proposal for JX-PL-DC6G-4310MxW Load

- ◆ High Performance
- ◆ High Reliability

Revision History

| Version | Date | Author | Revision description | Comment |
|---------|------------|--------|----------------------|---------|
| V1.0 | 2020/12/14 | Wang | Created | / |
| | | | | |
| | | | | |

Table of content

| | |
|--|---|
| Technical Proposal for JX-PL-DC6G-4310MxW Load | |
| 1. Mechanical specification | 2 |
| 2. Electrical specification | 3 |

Figures

| | |
|---|---|
| Figure 1 JX-PL-DC6G-4310M2W front panel layout | 2 |
| Figure 2 JX-PL-DC6G-4310M5W front panel layout | 2 |
| Figure 3 JX-PL-DC6G-4310M10W front panel layout | 3 |

Tables

| | |
|--|---|
| Table 1 Mechanical specifications @ JX-PL-DC6G-4310MxW | 2 |
| Table 2 Electrical specifications @ JX-PL-DC6G-4310MxW | 3 |

JING XIN MICROWAVE TECHNOLOGY CO.,LTD

E-mail: sales@cdjx-mw.com Web: <http://www.cdjx-mw.com>

TEL: +86-28-85026087 FAX: +86-28-65026087 ext.8033 Zip Code:610045

Add: No.65,West 1st Wu Ke Road, Wu Hou District, Cheng Du City, Si Chuan Province, China.

1. Mechanical specification

Table 1 Mechanical specifications @ JX-PL-DC6G-4310MxW

| | | | |
|------------|----------------------------|--------------------|---------------------|
| Dimension | JX-PL-DC6G-4310M2W | JX-PL-DC6G-4310M5W | JX-PL-DC6G-4310M10W |
| | Φ20mm x 37mm | Φ20mm x 42.5mm | Φ35mm x 42.5mm |
| Connectors | 4.3-10 / Male | | |
| Notes | Material shall be RoHS 6/6 | | |

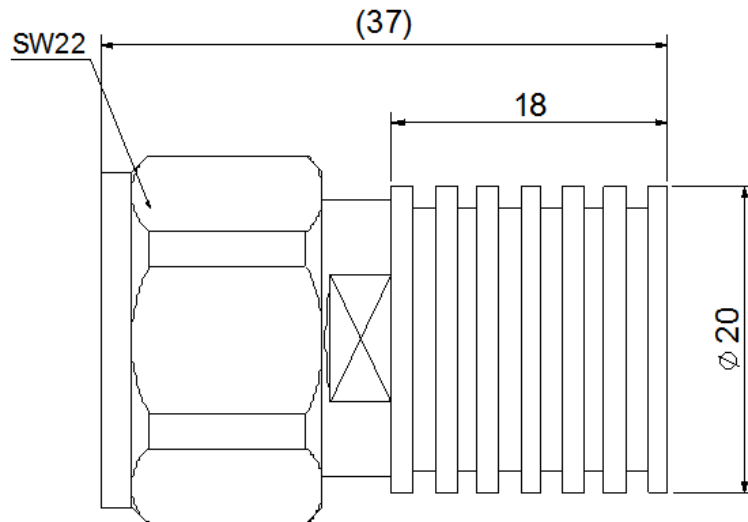


Figure 1 JX-PL-DC6G-4310M2W front panel layout

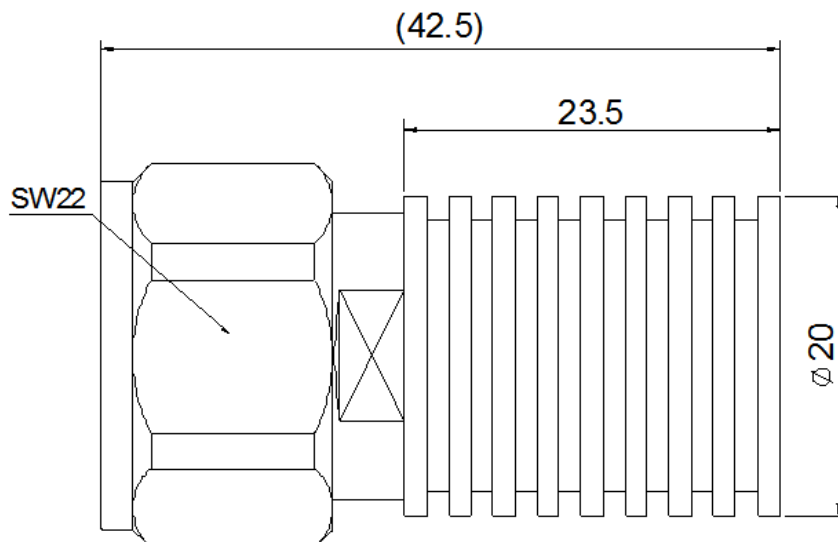


Figure 2 JX-PL-DC6G-4310M5W front panel layout

JING XIN MICROWAVE TECHNOLOGY CO.,LTD

E-mail: sales@cdjx-mw.com Web: <http://www.cdjx-mw.com>

TEL: +86-28-85026087 FAX: +86-28-65026087 ext.8033 Zip Code:610045

Add: No.65,West 1st Wu Ke Road, Wu Hou District, Cheng Du City, Si Chuan Province, China.

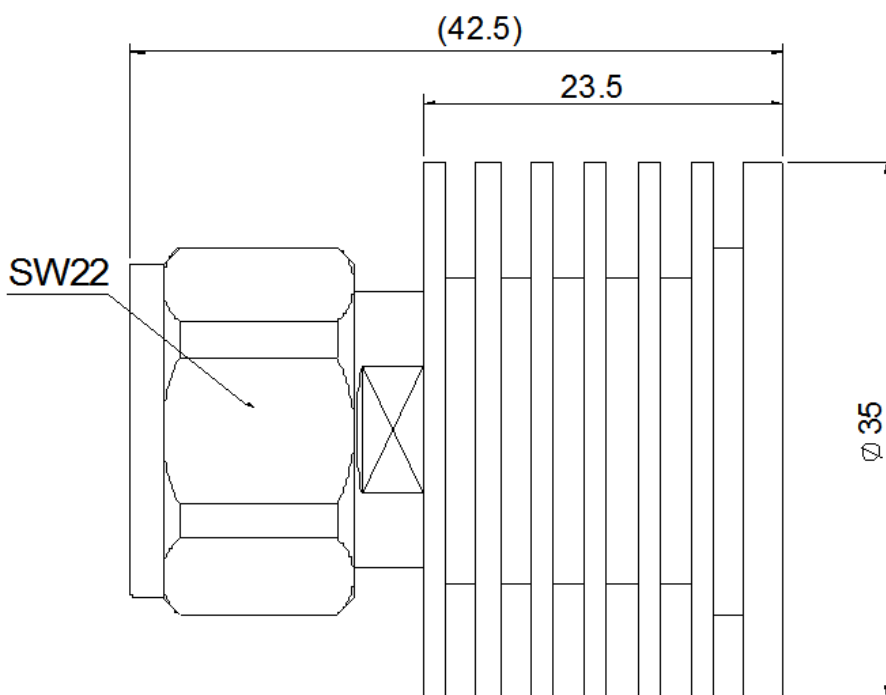


Figure 3 JX-PL-DC6G-4310M10W front panel layout

2. Electrical specification

Table 2 Electrical specifications @ JX-PL-DC6G-4310MxW

| Item | Parameter | Specifications | | |
|------|-------------------|---|--------------------|---------------------|
| | | JX-PL-DC6G-4310M2W | JX-PL-DC6G-4310M5W | JX-PL-DC6G-4310M10W |
| 1 | Model number | JX-PL-DC6G-4310M2W | JX-PL-DC6G-4310M5W | JX-PL-DC6G-4310M10W |
| 2 | Average power | ≤2W | ≤5W | ≤10W |
| 3 | Frequency range | DC-6000MHz | | |
| 4 | VSWR | ≤1.08 @ DC-3000MHz ≤1.2 @ 3000-6000MHz | | |
| 5 | Impedance | 50Ω | | |
| 6 | Temperature range | -35°C to +125°C | | |
| 7 | Relative humidity | 0 to 95% | | |

JING XIN MICROWAVE TECHNOLOGY CO.,LTD

E-mail: sales@cdjx-mw.com Web: <http://www.cdjx-mw.com>

TEL: +86-28-85026087 FAX: +86-28-65026087 ext.8033 Zip Code:610045

Add: No.65,West 1st Wu Ke Road, Wu Hou District, Cheng Du City, Si Chuan Province, China.