

# Technical proposal for JX-AT-DC40G-xdB Coaxial Attenuator

- ◆ Small Volume
- ◆ High Performance
- ◆ High Reliability

## Revision History

Version	Date	Author	Revision description	Comment
V1.0	2019/05/21	Lin liqun	Created	/
V1.1	2019/05/31	Lee	Updated the power specification	Customer request
V1.2	2019/06/26	Lee	Updated the electrical specification	JingXin request
V1.3	2019/06/28	Lee	Increase several kinds of models	Customer request
V1.4	2020/08/31	Lee	Updated the mechanical layout	JingXin request

## Table of content

Technical proposal for JX-AT-DC40G-xdB Coaxial Attenuator .....	1
1. Mechanical layout.....	2
2. Electrical analysis.....	3

## Figures

Figure 1 Size1 front panel layout .....	2
Figure 2 Size2 front panel layout .....	3

## Tables

Table 1 Mechanical specifications .....	2
Table 2 Electrical specifications.....	3

**JING XIN MICROWAVE TECHNOLOGY CO.,LTD**

E-mail: [sales@cdjx-mw.com](mailto:sales@cdjx-mw.com) Web: <http://www.cdjx-mw.com>

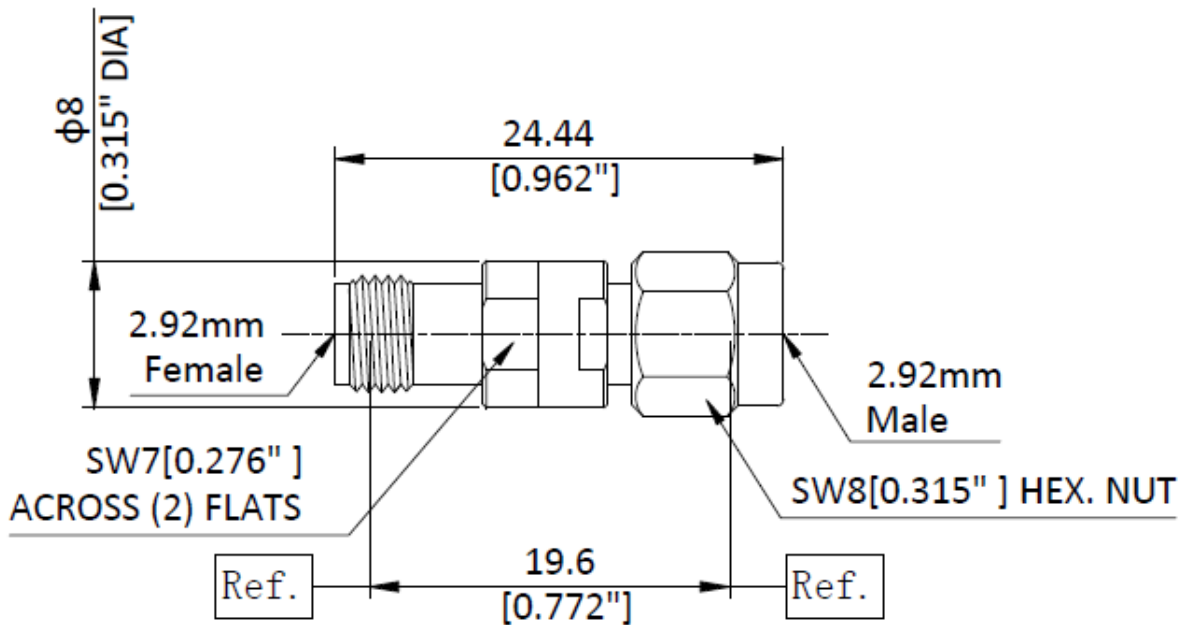
TEL: +86-28-85026087 FAX: +86-28-65026087 ext.8033 Zip Code:610045

Add: No.65,West 1st Wu Ke Road, Wu Hou District, Cheng Du City, Si Chuan Province, China.

## 1. Mechanical layout

Table 1 Mechanical specifications

Dimension	Attenuation 1-30dB: Size1
	Attenuation 40dB: Size2
Connectors	2.92-Female to 2.92-Male
Interface	Comply With IEC 61169-35
Durability	>2000 Cycles
Housing	Stainless Steel, Polished & Passivated
Center Conductor	Beryllium Copper, Gold Plated
Dielectric	PEEK
Nut	Stainless Steel, Polished & Passivated
Notes	Material shall be RoHS 6/6



Unit: mm

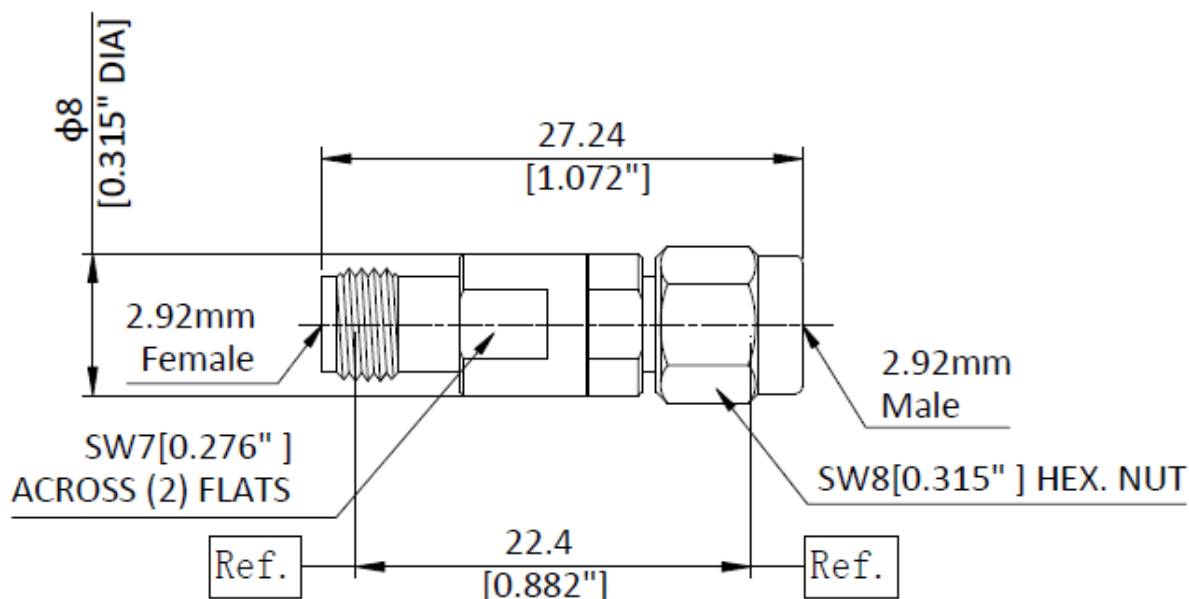
Figure 1 Size1 front panel layout

**JING XIN MICROWAVE TECHNOLOGY CO.,LTD**

E-mail: [sales@cdjx-mw.com](mailto:sales@cdjx-mw.com) Web: <http://www.cdjx-mw.com>

TEL: +86-28-85026087 FAX: +86-28-65026087 ext.8033 Zip Code:610045

Add: No.65,West 1st Wu Ke Road, Wu Hou District, Cheng Du City, Si Chuan Province, China.



Unit: mm

Figure 2 Size2 front panel layout

## 2. Electrical analysis

Table 2 Electrical specifications

Frequency range	DC-40GHz									
Model number	JX-AT-D C40G-1d B	JX-AT-D C40G-2d B	JX-AT-D C40G-3d B	JX-AT-D C40G-4d B	JX-AT-D C40G-5d B	JX-AT-DC4 0G-6dB	JX-AT-DC4 0G-10dB	JX-AT-DC4 0G-20dB	JX-AT-DC4 0G-30dB	JX-AT-DC4 0G-40dB
Attenuation	1dB	2dB	3dB	4dB	5dB	6dB	10dB	20dB	30dB	40dB
Deviation (DC-26.5GHz)	±0.5dB									±1.0dB
Deviation (26.5-40GHz)	±0.8dB									±1.2dB
VSWR	≤1.25									
Power	2W									
Impedance	50Ω									
Temperature range	-55°C to +125°C									

**JING XIN MICROWAVE TECHNOLOGY CO.,LTD**

E-mail: [sales@cdjx-mw.com](mailto:sales@cdjx-mw.com) Web: <http://www.cdjx-mw.com>

TEL: +86-28-85026087 FAX: +86-28-65026087 ext.8033 Zip Code:610045

Add: No.65,West 1st Wu Ke Road, Wu Hou District, Cheng Du City, Si Chuan Province, China.