

Technical proposal for JX-PL-DC67G-1W185 1.85 Load

- ◆ Small Volume
- ◆ High Performance
- ◆ High Reliability

Revision History

Version	Date	Author	Revision description	Comment
V1.0	2020/06/29	Lin liqun	Created	/

Table of content

Technical proposal for JX-PL-DC67G-1W185 1.85 Load	1
1. Mechanical layout.....	2
2. Electrical analysis.....	2

Figures

Figure 1 JX-PL-DC67G-1W185 front panel layout	2
---	---

Tables

Table 1 Mechanical specifications	2
Table 2 Electrical specifications.....	2

JING XIN MICROWAVE TECHNOLOGY CO.,LTD

E-mail: sales@cdjx-mw.com Web: <http://www.cdjx-mw.com>

TEL: +86-28-85026087 FAX: +86-28-65026087 ext.8033 Zip Code:610045

Add: No.65,West 1st Wu Ke Road, Wu Hou District, Cheng Du City, Si Chuan Province, China.

1. Mechanical layout

Table 1 Mechanical specifications

Dimension	Φ7.8mm*16.5mm
Connectors	1.85-Male
Housing	Stainless Steel, Passivated
Center Conductor	Beryllium Copper, Gold Plated
Insulators	PEI1000
Weight	5g
Notes	Material shall be RoHS 6/6

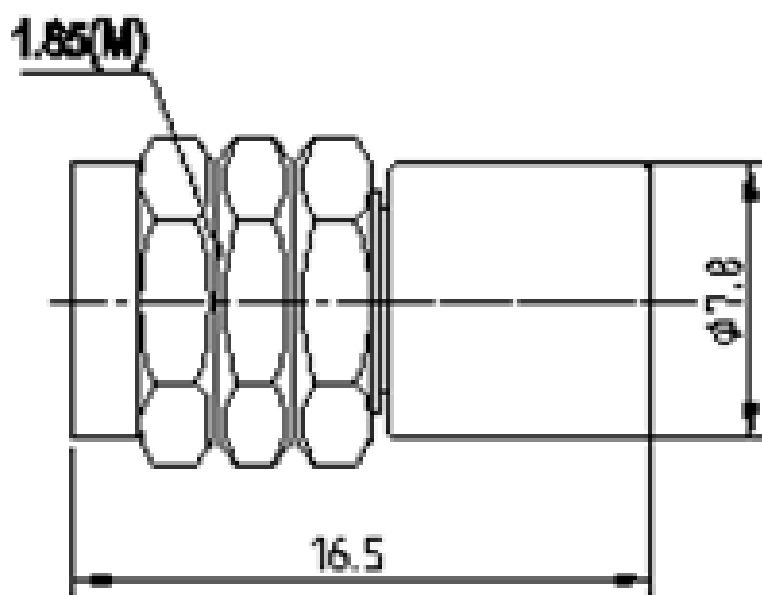


Figure 1 JX-PL-DC67G-1W185 front panel layout

2. Electrical analysis

Table 2 Electrical specifications

Frequency range	DC-67GHz
VSWR	≤1.5
Average power	1W
Impedance	50Ω
Temperature range	-55°C to +125°C

JING XIN MICROWAVE TECHNOLOGY CO.,LTD

E-mail: sales@cdjx-mw.com Web: <http://www.cdjx-mw.com>

TEL: +86-28-85026087 FAX: +86-28-65026087 ext.8033 Zip Code:610045

Add: No.65,West 1st Wu Ke Road, Wu Hou District, Cheng Du City, Si Chuan Province, China.