

Technical proposal for JX-PC-575-6000-XCNI Directional Coupler

Product Features

- ◆ Wide Frequency Band 575-6000MHz
- ◆ 2G/3G/4G/LTE/5G Coverage
- ◆ Low Passive Intermodulation
- ◆ Low VSWR & Insertion Loss
- ◆ High Isolation, Indoor & Outdoor, IP65
- ◆ Widely used for In-building Solutions

Revision History

Version	Date	Author	Revision description	Comment
V1.0	2019/01/14	Sam Chen	Created	/
V1.1	2019/09/09	Sam Chen	Add 5, 7dB coupler	/

JING XIN MICROWAVE TECHNOLOGY CO.,LTD

E-mail: sales@cdjx-mw.com Web: <http://www.cdjx-mw.com>

TEL: +86-28-85026087 FAX: +86-28-85026087 ext.8033 Zip Code:610045

Add: No.65,West 1st Wu Ke Road, Wu Hou District, Cheng Du City, Si Chuan Province, China.

Table of content

Technical proposal for JX-PC-575-6000-XCNI Directional Coupler.....	1
1. Mechanical layout.....	3
2. Electrical Specifications.....	4

Figures

Figure 1 JX-PC-575-6000-XCNI Coupler	3
--	---

Tables

Table 1 Mechanical Specifications.....	3
Table 2 Electrical Specifications	4

JING XIN MICROWAVE TECHNOLOGY CO.,LTD

E-mail: sales@cdjx-mw.com Web: <http://www.cdjx-mw.com>

TEL: +86-28-85026087 FAX: +86-28-85026087 ext.8033 Zip Code:610045

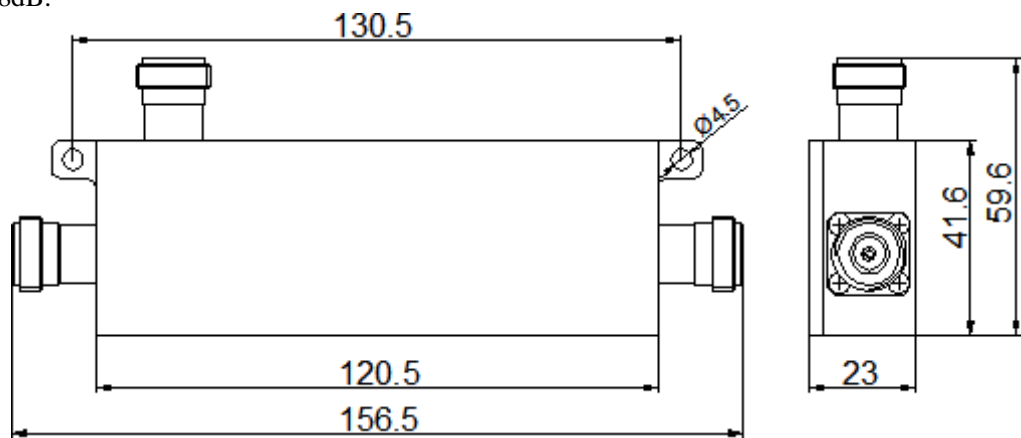
Add: No.65,West 1st Wu Ke Road, Wu Hou District, Cheng Du City, Si Chuan Province, China.

1. Mechanical layout

Table 1 Mechanical Specifications

Dimension	5,6,7,8dB: L x W x H: 120.5mm x 41.6mm x 23mm 10-20dB: L x W x H: 122.5mm x 43.6mm x 23mm
Connectors	N-Female
Finish	Black/Gray/White
Notes	Material shall be RoHS 6/6

5,6,7,8dB:



10-20dB:

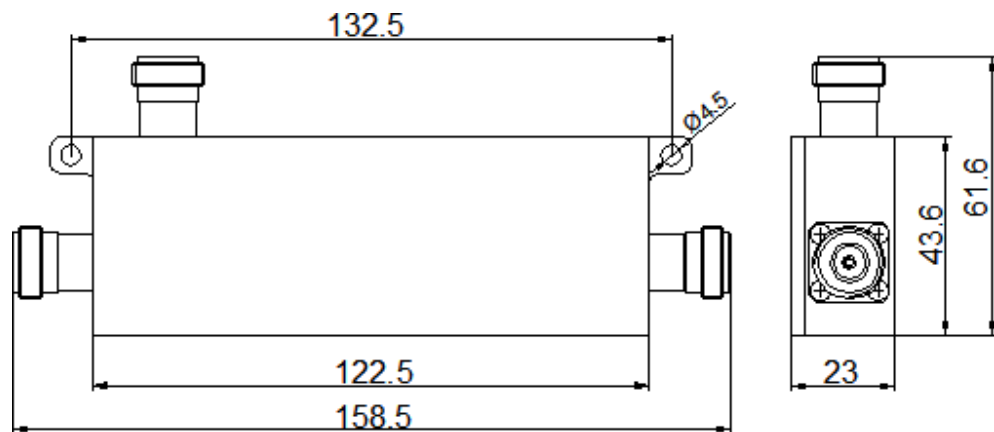


Figure 1 JX-PC-575-6000-XCNI Coupler

JING XIN MICROWAVE TECHNOLOGY CO.,LTD

E-mail: sales@cdjx-mw.com Web: <http://www.cdjx-mw.com>

TEL: +86-28-85026087 FAX: +86-28-85026087 ext.8033 Zip Code:610045

Add: No.65,West 1st Wu Ke Road, Wu Hou District, Cheng Du City, Si Chuan Province, China.

2. Electrical Specifications

Table 2 Electrical Specifications

Item	Parameter	spec							
1	Frequency Rang	575-6000MHz							
2	Coupling(dB)	5±1.1	6±1.1	7±1.2	8±1.2	10±1.2	13±1.3	15±1.35	20±1.4
3	Directivity (dB)	575-2700	20	20	20	20	20	20	20
		2700-3800	18	18	20	20	20	18	18
		3800-4900	18	18	18	18	18	16	16
		4900-6000	18	18	16	18	18	13	13
4	Insertion loss	2.5	1.9	1.7	1.4	1.1	0.7	0.6	0.5
5	VSWR	≤1.25:1(575-3800MHz),1.30:1(3800-6000MHz)							
6	Intermodulation	-160 dBc@2x43dBm (The PIM Value is Reflect @ 900MHz and 1800MHz)							
7	Power Rating	200W							
8	Impedance	50Ω							
9	Temperature Range	-35 to +85℃							
10	Applications	Indoor/Outdoor Use, IP65 ,RoHS Compliant							

JING XIN MICROWAVE TECHNOLOGY CO.,LTD

E-mail: sales@cdjx-mw.com Web: <http://www.cdjx-mw.com>

TEL: +86-28-85026087 FAX: +86-28-85026087 ext.8033 Zip Code:610045

Add: No.65,West 1st Wu Ke Road, Wu Hou District, Cheng Du City, Si Chuan Province, China.