

Technical proposal for JX-PL-350M6000M-30Wx Low PIM Termination Load

- ◆ High Performance
- ◆ High Reliability
- ◆ Low PIM

Revision History

Version	Date	Author	Revision description	Comment
V1.0	2015/03/28	Vivian	Created	/

Table of content

Technical proposal for JX-PL-350M6000M-30Wx Low PIM Termination Load	1
1. Mechanical layout.....	2
2. Electrical analysis.....	3

Figures

Figure 1 N-Female / N-Male front panel layout	2
Figure 2 DIN-Female/ DIN-Male front panel layout	2
Figure 3 4.3-10/Female & 4.3-10/Male front panel layout	3

Tables

Table 1 Mechanical specifications	2
Table 2 Electrical specifications.....	3

JING XIN MICROWAVE TECHNOLOGY CO.,LTD

E-mail: sales@cdjx-mw.com Web: <http://www.cdjx-mw.com>

TEL: +86-28-85026087 FAX: +86-28-65026087 ext.8033 Zip Code:610045

Add: No.65,West 1st Wu Ke Road, Wu Hou District, Cheng Du City, Si Chuan Province, China.

1. Mechanical layout

Table 1 Mechanical specifications

Dimension	As shown as below					
Model number	JX-PL-35 0M6000 M-30WN F	JX-PL-35 0M6000 M-30WN M	JX-PL-35 0M6000 M-30WDI NF	JX-PL-35 0M6000 M-30WDI NM	JX-PL-35 0M6000 M-30W4 310F	JX-PL-35 0M6000 M-30W4 310M
Connector Type	N-Female	N-Male	DIN-Female	DIN-Male	4.3-10/Female	4.3-10/Male
Radiator	Aluminum					
Body Color	Black					
Notes	Material shall be RoHS 6/6					

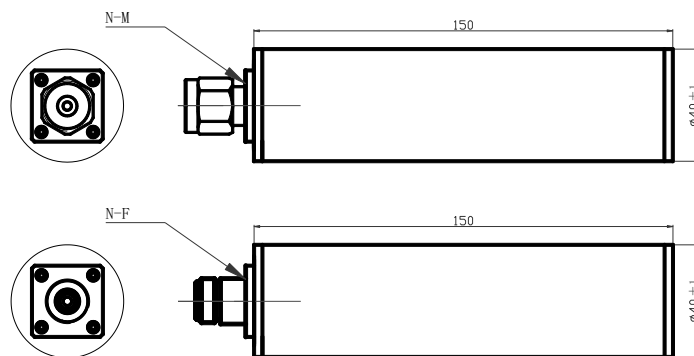


Figure 1 N-Female / N-Male front panel layout

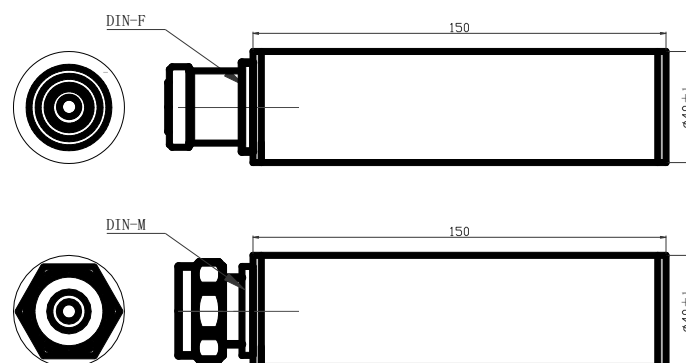


Figure 2 DIN-Female/ DIN-Male front panel layout

JING XIN MICROWAVE TECHNOLOGY CO.,LTD

E-mail: sales@cdjx-mw.com Web: <http://www.cdjx-mw.com>

TEL: +86-28-85026087 FAX: +86-28-65026087 ext.8033 Zip Code:610045

Add: No.65,West 1st Wu Ke Road, Wu Hou District, Cheng Du City, Si Chuan Province, China.

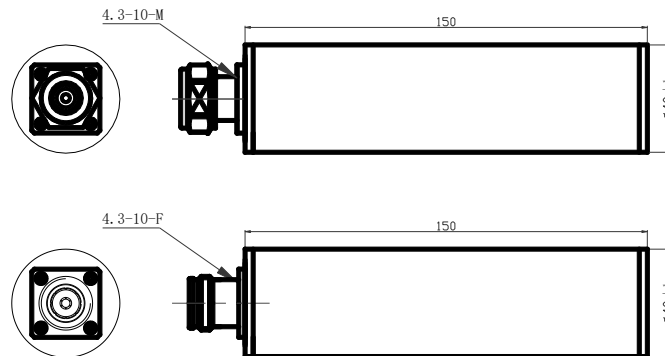


Figure 3 4.3-10/Female & 4.3-10/Male front panel layout

2. Electrical analysis

Table 2 Electrical specifications

Item	Parameter	Specification					
		JX-PL-35 0M6000M -30WNF	JX-PL-35 0M6000M -30WNM	JX-PL-35 0M6000M -30WDIN F	JX-PL-35 0M6000M -30WDIN M	JX-PL-35 0M6000 M-30W4 310F	JX-PL-35 0M6000 M-30W4 310M
1	Model number						
2	Intermodulation	-155dBc@2X43dBm / -161dBc@2X43dBm (Typical)		-160dBc@2X43dBm / -165dBc@2X43dBm (Typical)		-160dBc@2X43dBm / -165dBc@2X43dBm (Typical)	
3	Power Rating	30W					
4	Frequency Range	350-6000MHz					
5	VSWR	≤1.3@350-600MHz ≤1.25@600-6000MHz					
6	Impedance	50 Ω					
7	Temperature	-35°C to +50°C					
8	Annotation	Indoor Use,IP65					

JING XIN MICROWAVE TECHNOLOGY CO.,LTD

E-mail: sales@cdjx-mw.com Web: <http://www.cdjx-mw.com>

TEL: +86-28-85026087 FAX: +86-28-65026087 ext.8033 Zip Code:610045

Add: No.65,West 1st Wu Ke Road, Wu Hou District, Cheng Du City, Si Chuan Province, China.