

Technical proposal for JX-CT-225M400M-18Sx Coaxial Circulator

◆ High Performance

◆ High Reliability

Revision History

Version	Date	Author	Revision description	Comment
V1.0	2020/02/20	Lee	Created	/

Table of content

Technical proposal for JX-CT-225M400M-18Sx Coaxial Circulator	1
1. Mechanical layout.....	2
2. Electrical analysis.....	3

Figures

Figure 1 JX-CT-225M400M-18Sx front panel layout	2
---	---

Tables

Table 1 Mechanical specifications @ JX-CT-225M400M-18Sx	2
Table 2 Electrical specifications @ JX-CT-225M400M-18Sx	3

JING XIN MICROWAVE TECHNOLOGY CO.,LTD

E-mail: sales@cdjx-mw.com Web: <http://www.cdjx-mw.com>

TEL: +86-28-85026087 FAX: +86-28-65026087 ext.8033 Zip Code:610045

Add: No.65,West 1st Wu Ke Road, Wu Hou District, Cheng Du City, Si Chuan Province, China.

1. Mechanical layout

Table 1 Mechanical specifications @ JX-CT-225M400M-18Sx

Dimension	L x W x H: 66mm x 64mm x 22mm
Connectors	N-Female
Notes	Material shall be RoHS 6/6

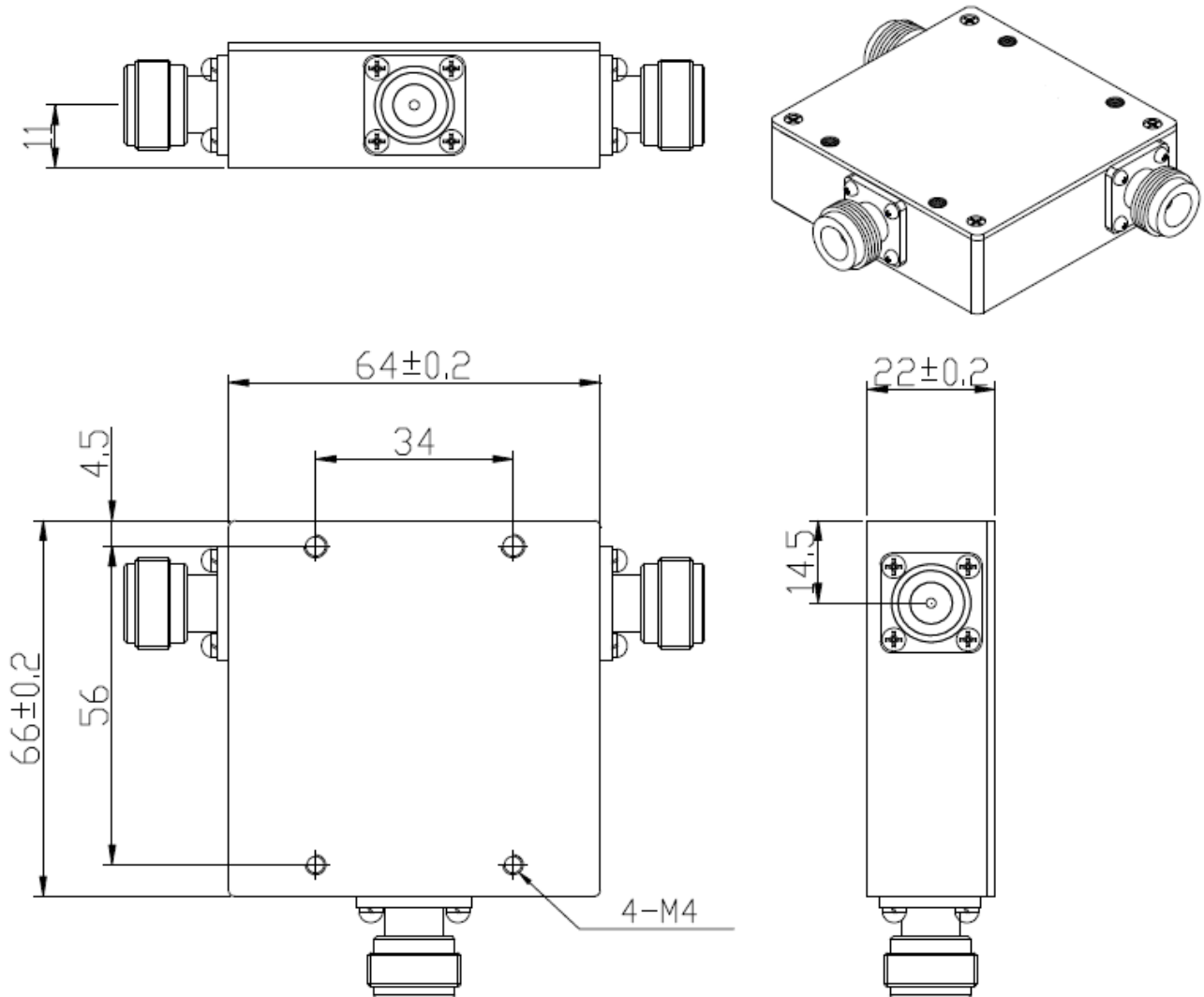


Figure 1 JX-CT-225M400M-18Sx front panel layout

JING XIN MICROWAVE TECHNOLOGY CO.,LTD

E-mail: sales@cdjx-mw.com Web: <http://www.cdjx-mw.com>

TEL: +86-28-85026087 FAX: +86-28-65026087 ext.8033 Zip Code:610045

Add: No.65,West 1st Wu Ke Road, Wu Hou District, Cheng Du City, Si Chuan Province, China.

2. Electrical analysis

Table 2 Electrical specifications @ JX-CT-225M400M-18Sx

Item	Parameter	Specification
1	Model number	JX-CT-225M400M-18S1 (→Clockwise)
		JX-CT-225M400M-18S2 (←Anticlockwise)
2	Frequency range	225-400MHz
3	VSWR	≤1.3
4	Insertion loss	≤0.8dB
5	Isolation	≥18dB
6	Forward power	100W
7	Impedance	50Ω
8	Temperature range	0°C to +60°C

JING XIN MICROWAVE TECHNOLOGY CO.,LTD

E-mail: sales@cdjx-mw.com Web: <http://www.cdjx-mw.com>

TEL: +86-28-85026087 FAX: +86-28-65026087 ext.8033 Zip Code:610045

Add: No.65,West 1st Wu Ke Road, Wu Hou District, Cheng Du City, Si Chuan Province, China.