

Technical Proposal for JX-CD2-483487-80NWP Cavity Duplexer

Revision History

Version	Date	Author	Revision description	Comment
V1.0	2018/03/14	Lee	Created	/
V1.1	2018/04/20	Lee	Update the electrical specifications	/

JING XIN MICROWAVE TECHNOLOGY CO.,LTD

E-mail: sales@cdjx-mw.com Web: <http://www.cdjx-mw.com>

TEL: +86-28-85026087 FAX: +86-28-65941390 Zip Code:610045

Add: No.65,West 1st Wu Ke Road, Wu Hou District, Cheng Du City, Si Chuan Province, China.

Table of content

Technical Proposal for JX-CD2-483487-80NWP Cavity Duplexer	1
1. Mechanical layout.....	3
2. Electrical analysis.....	4
2.1 Schematic diagram of the Duplexer	4
2.2 Electrical specifications	4
2.3 The simulation curve	5

Figures

Figure 1 JX-CD2-483487-80NWP front panel layout	3
Figure 2 Topology of the Duplexer	4
Figure 3 The simulation curve of the Duplexer.....	5

Tables

Table 1 Mechanical Specifications @ JX-CD2-483487-80NWP	3
Table 2 Electrical specifications @ JX-CD2-483487-80NWP	4

JING XIN MICROWAVE TECHNOLOGY CO.,LTD

E-mail: sales@cdjx-mw.com Web: <http://www.cdjx-mw.com>

TEL: +86-28-85026087 FAX: +86-28-65941390 Zip Code:610045

Add: No.65,West 1st Wu Ke Road, Wu Hou District, Cheng Du City, Si Chuan Province, China.

1. Mechanical layout

Table 1 Mechanical Specifications @ JX-CD2-483487-80NWP

Dimension	LxWxH: 441mm x 265mm x 154mm (Excluded Bracket & Connector)
Port connectors	N-female
Finish	Gray
IP Protection	IP67
Notes	Material shall be RoHS 6/6

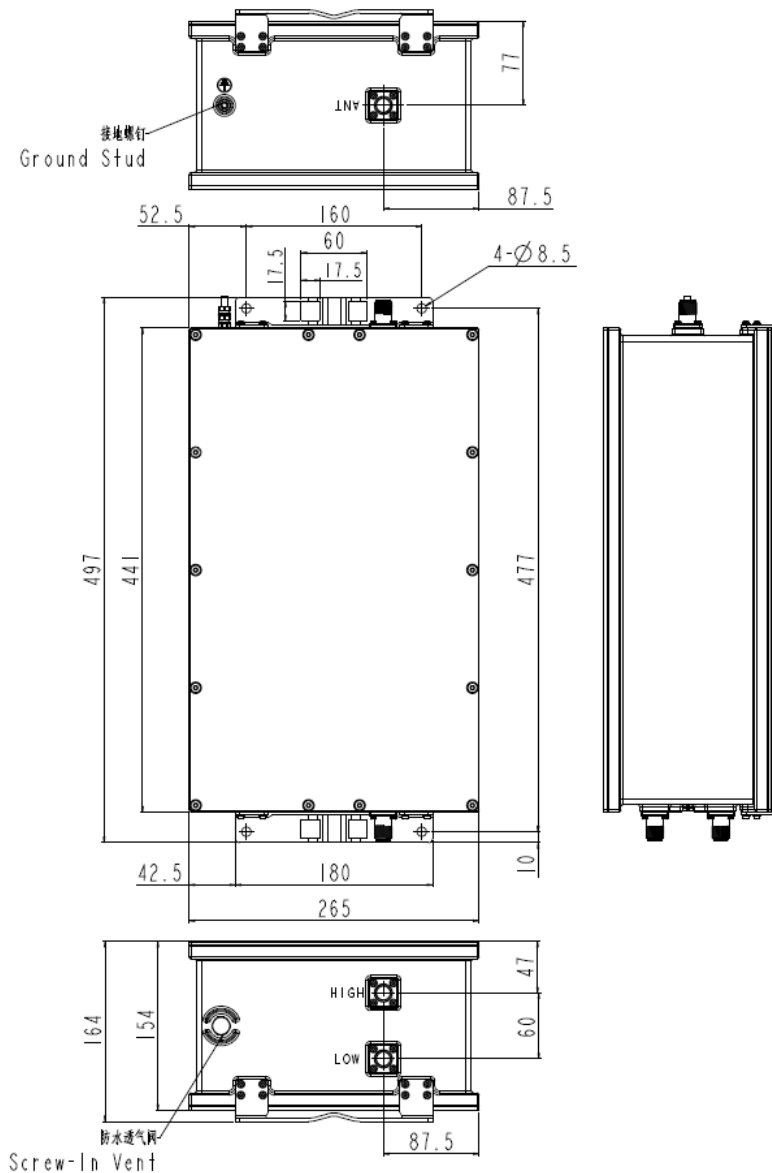


Figure 1 JX-CD2-483487-80NWP front panel layout

JING XIN MICROWAVE TECHNOLOGY CO.,LTD

E-mail: sales@cdjx-mw.com Web: <http://www.cdjx-mw.com>

TEL: +86-28-85026087 FAX: +86-28-65941390 Zip Code:610045

Add: No.65,West 1st Wu Ke Road, Wu Hou District, Cheng Du City, Si Chuan Province, China.

2. Electrical analysis

2.1 Schematic diagram of the Duplexer

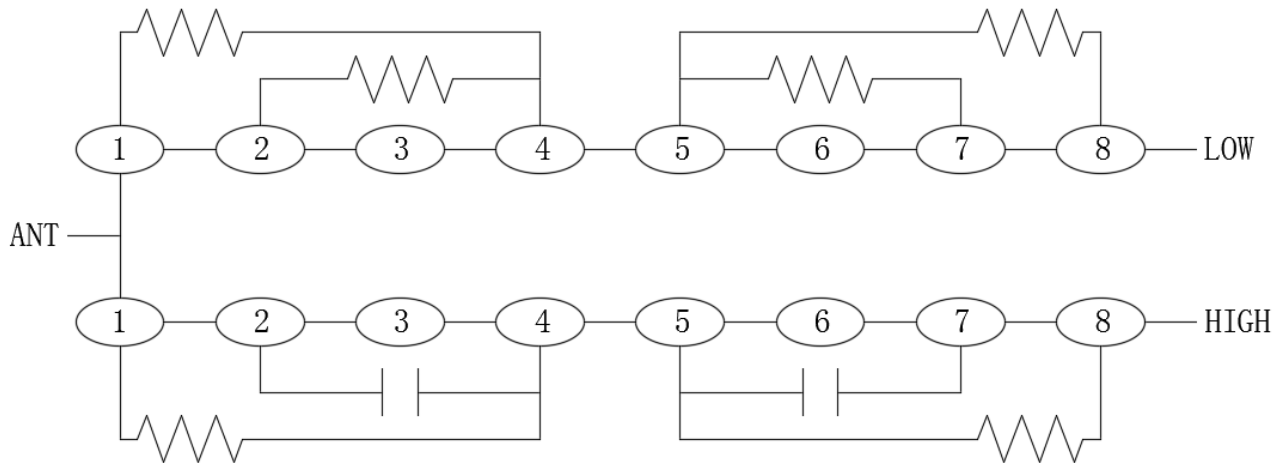


Figure 2 Topology of the Duplexer

2.2 Electrical specifications

Table 2 Electrical specifications @ JX-CD2-483487-80NWP

Item	Parameter	LOW	HIGH
1	Frequency Range	483.0125 - 484.7625 MHz	486.0125 - 487.7625 MHz
2	Return Loss(Normal Temp)	≥18 dB	≥18 dB
	Return Loss(Full Temp)	≥15 dB	≥15 dB
3	Insertion Loss(Normal Temp)	≤3.0 dB	≤3.0 dB
	Insertion Loss(Full Temp)	≤3.5 dB	≤3.5 dB
4	Rejection	≥80 dB @ HIGH Band	≥80 dB @ LOW Band
5	Handing Power	20 W Avg	
6	Impedance	50 Ω	
7	Operating Temperature Range	-40°C to +65°C	

JING XIN MICROWAVE TECHNOLOGY CO.,LTD

E-mail: sales@cdjx-mw.com Web: <http://www.cdjx-mw.com>

TEL: +86-28-85026087 FAX: +86-28-65941390 Zip Code:610045

Add: No.65,West 1st Wu Ke Road, Wu Hou District, Cheng Du City, Si Chuan Province, China.

2.3 The simulation curve

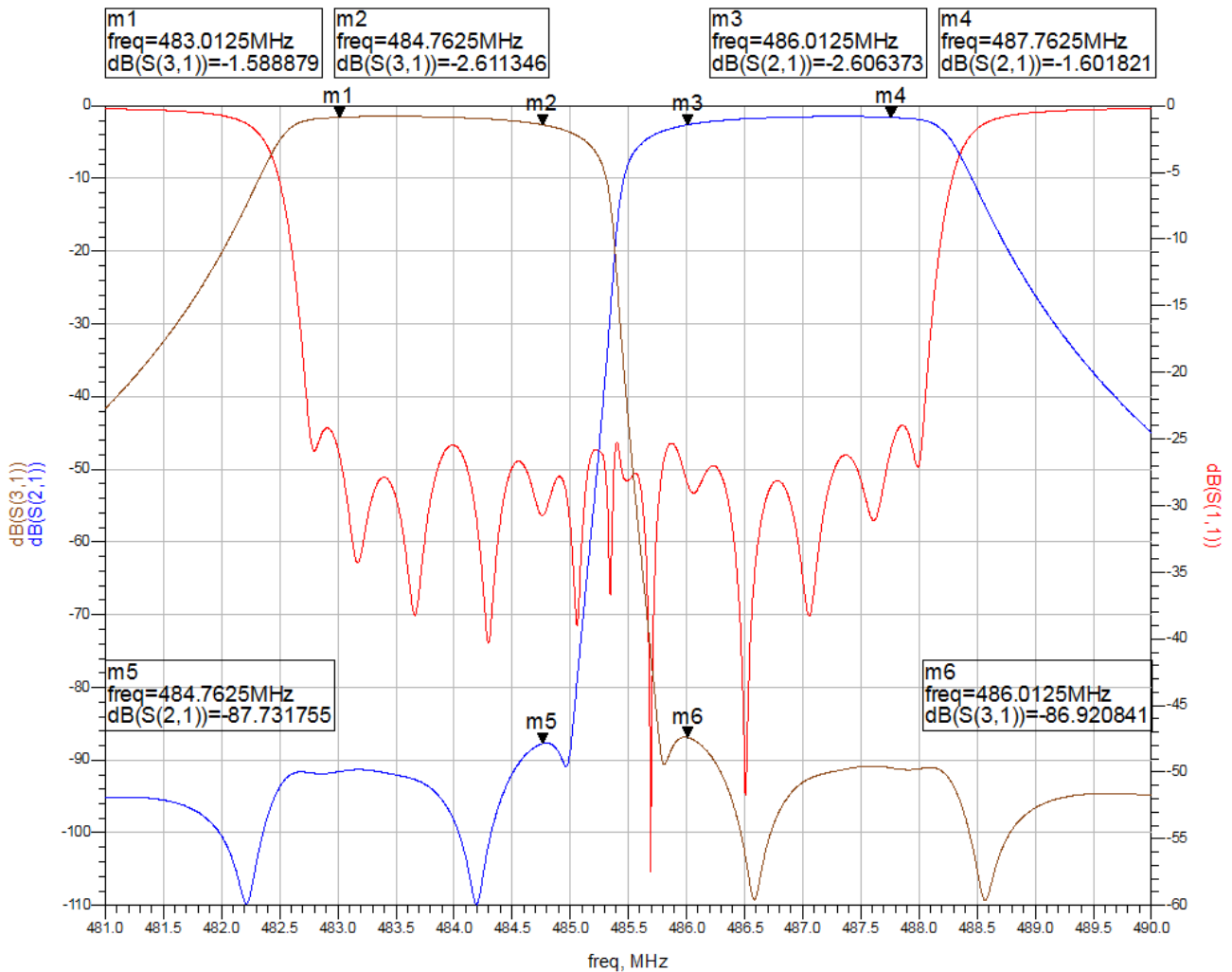


Figure 3 The simulation curve of the Duplexer

JING XIN MICROWAVE TECHNOLOGY CO.,LTD

E-mail: sales@cdjx-mw.com Web: <http://www.cdjx-mw.com>

TEL: +86-28-85026087 FAX: +86-28-65941390 Zip Code:610045

Add: No.65,West 1st Wu Ke Road, Wu Hou District, Cheng Du City, Si Chuan Province, China.