

# Technical Proposal for JX-AT-DC6G-100Wx Attenuator

- ◆ High Performance
- ◆ High Reliability

## Revision History

Version	Date	Author	Revision description	Comment
V1.0	2020/09/03	Wang	Created	/
V1.1	2023/01/03	Vivian	Updated	/

## Table of content

Technical Proposal for JX-AT-DC6G-100Wx Attenuator .....	1
1. Mechanical layout .....	2
2. Electrical analysis .....	2

## Figures

Figure 1 JX-AT-DC6G-100Wx front panel layout .....	2
--	---

## Tables

Table 1 Mechanical Specifications .....	2
Table 2 Electrical specifications .....	2

**JING XIN MICROWAVE TECHNOLOGY CO.,LTD**

E-mail: [sales@cdjx-mw.com](mailto:sales@cdjx-mw.com) Web: <http://www.cdjx-mw.com>

TEL: +86-28-85026087 FAX: +86-28-65026087 ext.8033 Zip Code:610045

Add: No.65,West 1st Wu Ke Road, Wu Hou District, Cheng Du City, Si Chuan Province, China.

## 1. Mechanical layout

Table 1 Mechanical Specifications

Dimension	78mm×80mm×113.5mm
Port connectors	N-Male to N-Female
Weight	880g
Notes	Material shall be RoHS 6/6

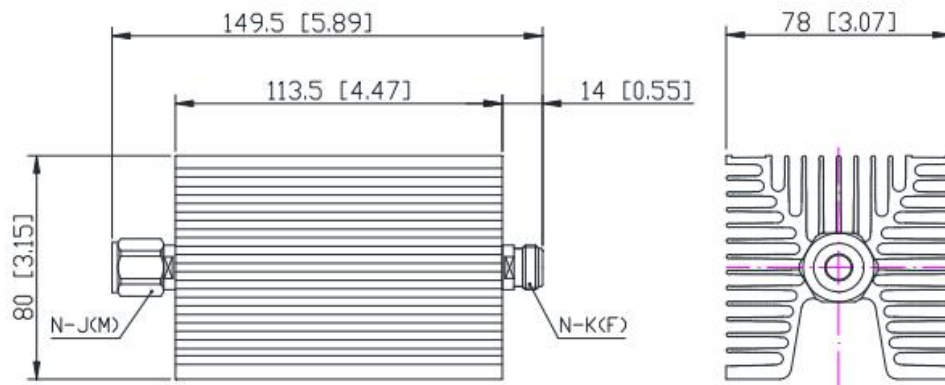


Figure 1 JX-AT-DC6G-100Wx front panel layout

## 2. Electrical analysis

Table 2 Electrical specifications

Item	Parameter	Specification					
1	Frequency Range	DC-6GHz					
2	Model number	JX-AT-DC6G-100W3	JX-AT-DC6G-100W6	JX-AT-DC6G-100W10	JX-AT-DC6G-100W20	JX-AT-DC6G-100W30	JX-AT-DC6G-100W40
3	Value	3dB	6dB	10dB	20dB	30dB	40dB
4	Tolerance	±1.0dB					±1.2dB
5	VSWR	≤1.25					
6	Power	100W					
7	Impedance	50Ω					
8	Temperature Range	-55°C to +125°C					

**JING XIN MICROWAVE TECHNOLOGY CO.,LTD**

E-mail: [sales@cdjx-mw.com](mailto:sales@cdjx-mw.com) Web: <http://www.cdjx-mw.com>

TEL: +86-28-85026087 FAX: +86-28-65026087 ext.8033 Zip Code:610045

Add: No.65,West 1st Wu Ke Road, Wu Hou District, Cheng Du City, Si Chuan Province, China.