

Technical proposal for JX-AT-698M2700M-xMD20W Low PIM Attenuator

- ◆ Low PIM
- ◆ High Performance
- ◆ High Reliability

Revision History

Version	Date	Author	Revision description	Comment
V1.0	2019/10/14	Lee	Created	/

Table of content

Technical proposal for JX-AT-698M2700M-xMD20W Low PIM Attenuator.....	1
1. Mechanical layout.....	2
2. Electrical analysis.....	3

Figures

Figure 1 JX-AT-698M2700M-xMD20W front panel layout	2
--	---

Tables

Table 1 Mechanical specifications	2
Table 2 Electrical specifications.....	3

JING XIN MICROWAVE TECHNOLOGY CO.,LTD

E-mail: sales@cdjx-mw.com Web: <http://www.cdjx-mw.com>

TEL: +86-28-85026087 FAX: +86-28-65026087 ext.8033 Zip Code:610045

Add: No.65,West 1st Wu Ke Road, Wu Hou District, Cheng Du City, Si Chuan Province, China.

1. Mechanical layout

Table 1 Mechanical specifications

Dimension	L*W*H: 151*59*51(Without connector)
Connectors	4.3-10 / Male to 4.3-10 / Female
Notes	Material shall be RoHS 6/6

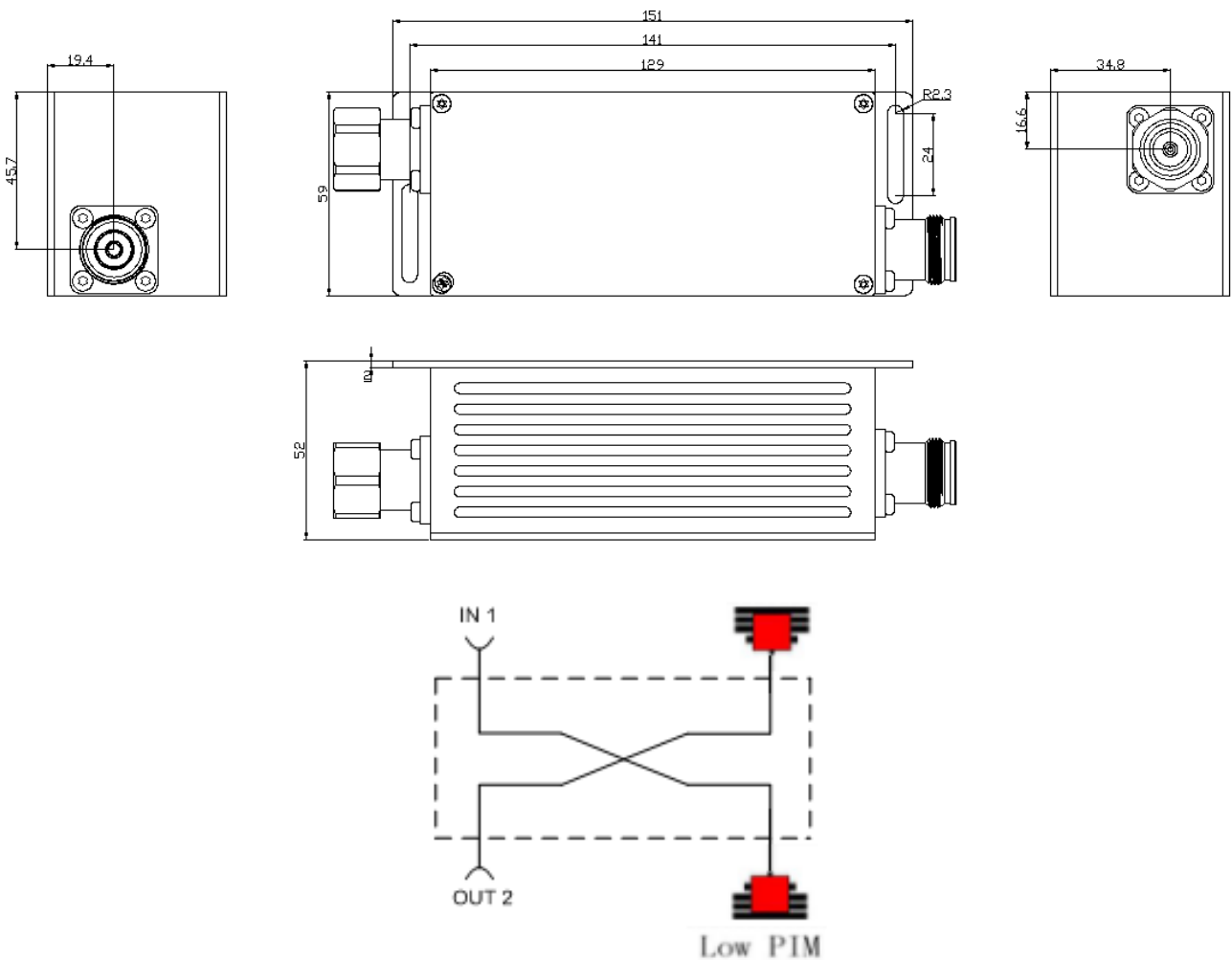


Figure 1 JX-AT-698M2700M-xMD20W front panel layout

JING XIN MICROWAVE TECHNOLOGY CO.,LTD

E-mail: sales@cdjx-mw.com Web: <http://www.cdjx-mw.com>

TEL: +86-28-85026087 FAX: +86-28-65026087 ext.8033 Zip Code:610045

Add: No.65,West 1st Wu Ke Road, Wu Hou District, Cheng Du City, Si Chuan Province, China.

2. Electrical analysis

Table 2 Electrical specifications

Frequency range	698-2700MHz			
Model number	JX-AT-698M2700 M-6MD20W	JX-AT-698M2700 M-10MD20W	JX-AT-698M2700 M-15MD20W	JX-AT-698M2700 M-20MD20W
Attenuation	6dB	10dB	15dB	20dB
Attenuation accuracy	±0.6dB	±1.0dB	±1.2dB	±1.5dB
VSWR	≤1.25			
Power	20W (Avg)			
PIM	<-156dBc@2X43dBm			
Impedance	50Ω			
Temperature range	-20°C to +60°C			

JING XIN MICROWAVE TECHNOLOGY CO.,LTD

E-mail: sales@cdjx-mw.com Web: <http://www.cdjx-mw.com>

TEL: +86-28-85026087 FAX: +86-28-65026087 ext.8033 Zip Code:610045

Add: No.65,West 1st Wu Ke Road, Wu Hou District, Cheng Du City, Si Chuan Province, China.