

Technical Proposal for JX-PL-DC3G-NM20W Load

- ◆ High Performance
- ◆ High Reliability

Revision History

Version	Date	Author	Revision description	Comment
V1.0	2020/12/14	Wang	Created	/

Table of content

Technical Proposal for JX-PL-DC3G-NM20W Load	1
1. Mechanical specification	2
2. Electrical specification	2

Figures

Figure 1 JX-PL-DC3G-NM20W front panel layout	2
--	---

Tables

Table 1 Mechanical specifications @ JX-PL-DC3G-NM20W	2
Table 2 Electrical specifications @ JX-PL-DC3G-NM20W	2

JING XIN MICROWAVE TECHNOLOGY CO.,LTD

E-mail: sales@cdjx-mw.com Web: <http://www.cdjx-mw.com>

TEL: +86-28-85026087 FAX: +86-28-65026087 ext.8033 Zip Code:610045

Add: No.65,West 1st Wu Ke Road, Wu Hou District, Cheng Du City, Si Chuan Province, China.

1. Mechanical specification

Table 1 Mechanical specifications @ JX-PL-DC3G-NM20W

Dimension	Φ39mm x 86.7mm
Connectors	N-Male
Notes	Material shall be RoHS 6/6

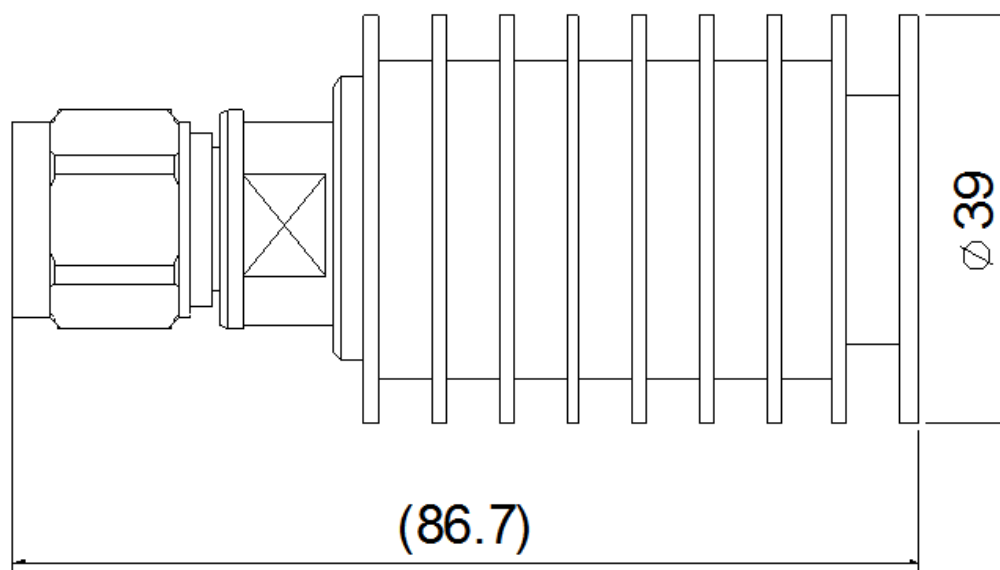


Figure 1 JX-PL-DC3G-NM20W front panel layout

2. Electrical specification

Table 2 Electrical specifications @ JX-PL-DC3G-NM20W

Item	Parameter	Specifications
1	Frequency range	DC-3000MHz
2	VSWR	≤1.15 @ DC-3000MHz
3	Average power	≤20W
4	Impedance	50Ω
5	Temperature range	-35°C to +125°C
6	Relative humidity	0 to 95%

JING XIN MICROWAVE TECHNOLOGY CO.,LTD

E-mail: sales@cdjx-mw.com Web: <http://www.cdjx-mw.com>

TEL: +86-28-85026087 FAX: +86-28-65026087 ext.8033 Zip Code:610045

Add: No.65,West 1st Wu Ke Road, Wu Hou District, Cheng Du City, Si Chuan Province, China.