

# Technical proposal for JX-PL-DC3G-50W38D Coaxial Load

- ◆ High Performance
- ◆ High Reliability

## Revision History

Version	Date	Author	Revision description	Comment
V1.0	2023/01/09	Vivian	Created	/

## Table of content

Technical proposal for JX-PL-DC3G-50W38D Coaxial Load .....	1
1. Mechanical layout.....	2
2. Electrical analysis .....	2

## Figures

Figure 1 JX-PL-DC3G-50W38D front panel layout.....	2
--	---

## Tables

Table 1 Mechanical specifications .....	2
Table 2 Electrical specifications.....	2

**JING XIN MICROWAVE TECHNOLOGY CO.,LTD**

E-mail: [sales@cdjx-mw.com](mailto:sales@cdjx-mw.com) Web: <http://www.cdjx-mw.com>

TEL: +86-28-85026087 FAX: +86-28-65026087 ext.8033 Zip Code:610045

Add: No.65,West 1st Wu Ke Road, Wu Hou District, Cheng Du City, Si Chuan Province, China.

## 1. Mechanical layout

Table 1 Mechanical specifications

Dimension	Φ38*70mm
Connectors	N-Male
Weight	145g
Notes	Material shall be RoHS 6/6

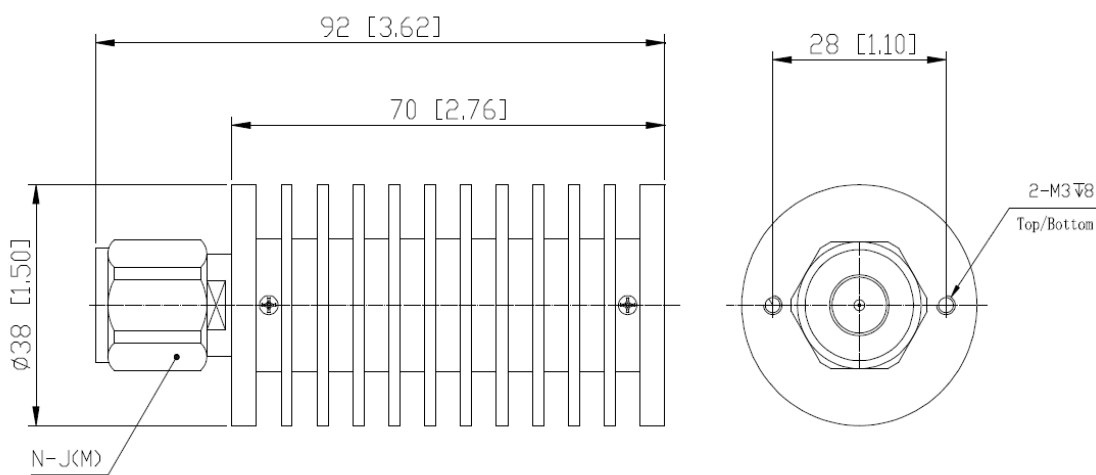


Figure 1 JX-PL-DC3G-50W38D front panel layout

## 2. Electrical analysis

Table 2 Electrical specifications

Item	Parameter	Specification
1	Frequency Range	DC-3GHz
2	VSWR	≤1.2
3	Power Rating	50W
4	Temperature Range	-45°C~ +80°C
5	Impedance	50Ω

**JING XIN MICROWAVE TECHNOLOGY CO.,LTD**

E-mail: [sales@cdjx-mw.com](mailto:sales@cdjx-mw.com) Web: <http://www.cdjx-mw.com>

TEL: +86-28-85026087 FAX: +86-28-65026087 ext.8033 Zip Code:610045

Add: No.65,West 1st Wu Ke Road, Wu Hou District, Cheng Du City, Si Chuan Province, China.