

Technical Proposal for JX-PT-340M2700M-Nx Power Tapper

- ◆ Low PIM
- ◆ High Performance
- ◆ High Reliability

Revision History

Version	Date	Author	Revision description	Comment
V1.0	2020/10/10	Wang	Created	/

Table of content

Technical Proposal for JX-PT-340M2700M-Nx Power Tapper	1
1. Mechanical specification	2
2. Electrical specification	3

Figures

Figure 1 JX-PT-340M2700M-Nx front panel layout	2
--	---

Tables

Table 1 Mechanical specifications @ JX-PT-340M2700M-Nx	2
Table 2 Electrical specifications @ JX-PT-340M2700M-Nx	3

JING XIN MICROWAVE TECHNOLOGY CO.,LTD

E-mail: sales@cdjx-mw.com Web: <http://www.cdjx-mw.com>

TEL: +86-28-85026087 FAX: +86-28-65026087 ext.8033 Zip Code:610045

Add: No.65,West 1st Wu Ke Road, Wu Hou District, Cheng Du City, Si Chuan Province, China.

1. Mechanical specification

Table 1 Mechanical specifications @ JX-PT-340M2700M-Nx

Dimension	L x W x H: 140.4mm x 43mm x 25mm
Port connectors	N-Female
Ingress protection	Indoor/Outdoor Use, IP65
Notes	Material shall be RoHS 6/6

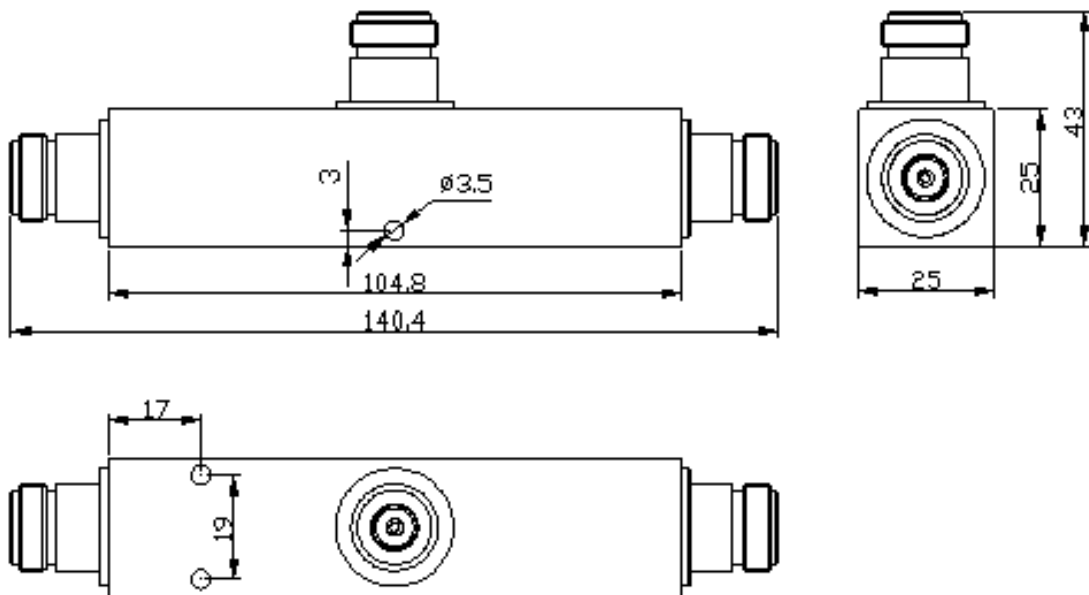


Figure 1 JX-PT-340M2700M-Nx front panel layout

JING XIN MICROWAVE TECHNOLOGY CO.,LTD

E-mail: sales@cdjx-mw.com Web: <http://www.cdjx-mw.com>

TEL: +86-28-85026087 FAX: +86-28-65026087 ext.8033 Zip Code:610045

Add: No.65,West 1st Wu Ke Road, Wu Hou District, Cheng Du City, Si Chuan Province, China.

2. Electrical specification

Table 2 Electrical specifications @ JX-PT-340M2700M-Nx

Item	Parameter	Specification								
1	Frequency range	340-960 & 1710-2700MHz								
2	Model number	JX-PT-3 40M270 0M-N5	JX-PT- 340M27 00M-N6	JX-PT-3 40M270 0M-N7	JX-PT-3 40M270 0M-N8	JX-PT-3 40M270 0M-N10	JX-PT-3 40M270 0M-N15	JX-PT-3 40M270 0M-N20	JX-PT-3 40M270 0M-N30	
3	Coupling	5dB	6dB	7dB	8dB	10dB	15dB	20dB	30dB	
4	Insertion loss	1.8±0.6 dB	1.4±0.5 dB	1.1±0.5 dB	1.0±0.5 dB	0.5±0.3 dB	0.2±0.2dB			
5	Fluctuate	340-960	±1.2	±1.2	±1.0	±1.0	±1.0	±1.0	±1.2	±1.5
		1710-2700	±0.5	±0.5	±0.5	±0.5	±0.5	±0.6	±0.6	±1.5
6	VSWR	340-960	1.35:1	1.30:1			1.25:1			
		1710-2700	1.25:1			1.25:1				
7	PIM3	-155dBc@2x43dBm (test on 900MHz & 1800MHz)								
8	Power rating	200W								
9	Impedance	50Ω								
10	Temperature range	-35°C to +85°C								

JING XIN MICROWAVE TECHNOLOGY CO.,LTD

E-mail: sales@cdjx-mw.com Web: <http://www.cdjx-mw.com>

TEL: +86-28-85026087 FAX: +86-28-65026087 ext.8033 Zip Code:610045

Add: No.65,West 1st Wu Ke Road, Wu Hou District, Cheng Du City, Si Chuan Province, China.