

# Technical proposal for JX-PD-130M180M-50N Power Divider

- ◆ High Performance
- ◆ High Reliability
- ◆ IP60

## Revision History

Version	Date	Author	Revision description	Comment
V1.0	2021/04/29	Lin liqun	Created	/

## Table of content

Technical proposal for JX-PD-130M180M-50N Power Divider .....	1
1. Mechanical layout.....	2
2. Electrical specification .....	2

## Figures

Figure 1 JX-PD-130M180M-50N front panel layout .....	2
--	---

## Tables

Table 1 Mechanical specifications .....	2
Table 2 Electrical specifications.....	2

**JING XIN MICROWAVE TECHNOLOGY CO.,LTD**

E-mail: [sales@cdjx-mw.com](mailto:sales@cdjx-mw.com) Web: <http://www.cdjx-mw.com>

TEL: +86-28-85026087 FAX: +86-28-65026087 ext.8033 Zip Code:610045

Add: No.65,West 1st Wu Ke Road, Wu Hou District, Cheng Du City, Si Chuan Province, China.

## 1. Mechanical layout

Table 1 Mechanical specifications

Dimension	L x W x H: 77mm x 74mm x 22.3mm
Connectors	N-Female
Finish	Black (Paint spraying)
IP protection	IP60
Notes	Material shall be RoHS 6/6

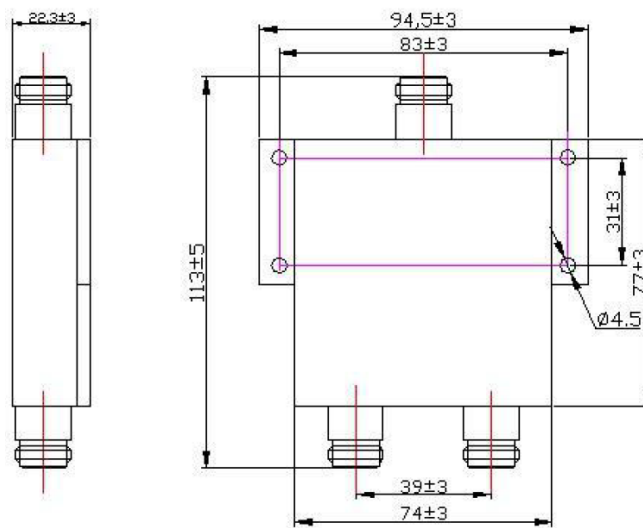


Figure 1 JX-PD-130M180M-50N front panel layout

## 2. Electrical specification

Table 2 Electrical specifications

Item	Parameter	Specification
1	Frequency range	130-180MHz
2	Input Port Number	1
3	Output Port Number	2
4	Insertion loss	≤0.5dB
5	Split loss	3.0dB
6	VSWR	≤1.25
7	Total Input power	50W
8	Impedance	50Ω
9	Temperature range	-30°C to +70°C

**JING XIN MICROWAVE TECHNOLOGY CO.,LTD**

E-mail: [sales@cdjx-mw.com](mailto:sales@cdjx-mw.com) Web: <http://www.cdjx-mw.com>

TEL: +86-28-85026087 FAX: +86-28-65026087 ext.8033 Zip Code:610045

Add: No.65,West 1st Wu Ke Road, Wu Hou District, Cheng Du City, Si Chuan Province, China.