

Technical Proposal for JX-PD4-7G8.5G-18N Power Divider

- ◆ High Performance
- ◆ High Reliability

Revision History

Version	Date	Author	Revision description	Comment
V1.0	2019/04/09	Lin liqun	Created	/

JING XIN MICROWAVE TECHNOLOGY CO.,LTD

E-mail: sales@cdjx-mw.com Web: <http://www.cdjx-mw.com>

TEL: +86-28-85026087 FAX: +86-28-65026087 ext.8033 Zip Code:610045

Add: No.65,West 1st Wu Ke Road, Wu Hou District, Cheng Du City, Si Chuan Province, China.

Table of content

Technical Proposal for JX-PD4-7G8.5G-18N Power Divider.....	1
1. Mechanical layout.....	2
2. Electrical analysis.....	3

Figures

Figure 1 JX-PD4-7G8.5G-18N front panel layout.....	3
--	---

Tables

Table 1 Mechanical Specifications.....	2
Table 2 Electrical specifications.....	3

1. Mechanical layout

Table 1 Mechanical Specifications

Dimension	L x W x H: 97mm x 49mm x 20mm
Port connectors	N- Female
Finish	Gray paint
Notes	Material shall be RoHS 6/6

JING XIN MICROWAVE TECHNOLOGY CO.,LTD

E-mail: sales@cdjx-mw.com Web: <http://www.cdjx-mw.com>

TEL: +86-28-85026087 FAX: +86-28-65026087 ext.8033 Zip Code:610045

Add: No.65,West 1st Wu Ke Road, Wu Hou District, Cheng Du City, Si Chuan Province, China.

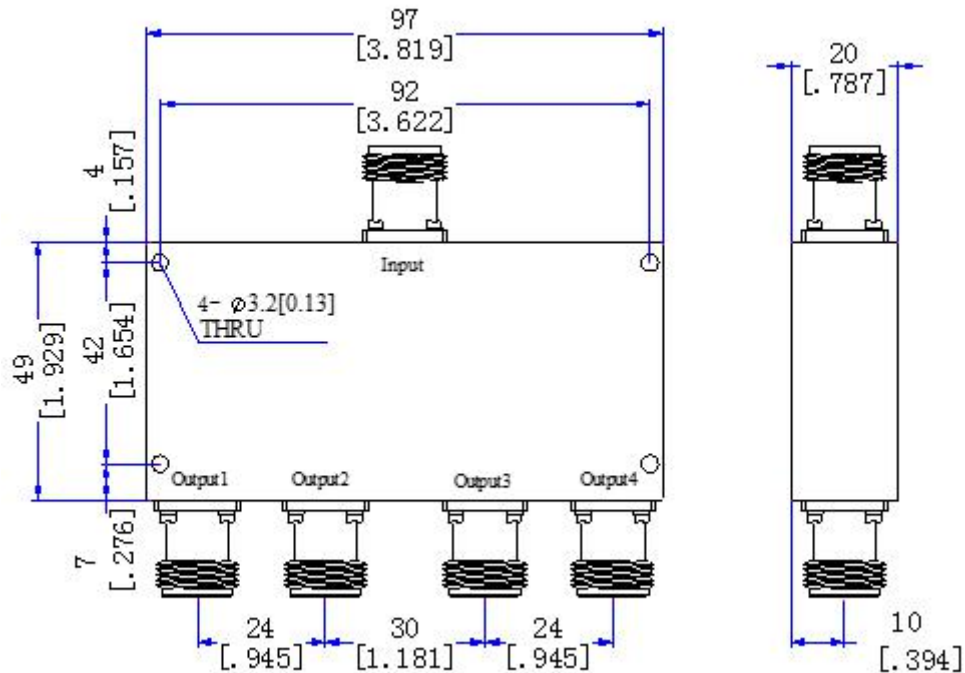


Figure 1 JX-PD4-7G8.5G-18N front panel layout

2. Electrical analysis

Table 2 Electrical specifications

Item	Parameter	Specification
1	Frequency range	7000-8500MHz
2	Insertion loss	≤1.0dB (Excluding theoretical loss 6.0 dB)
3	Input port VSWR	≤1.4
4	Output port VSWR	≤1.3
5	Isolation	≥18dB
6	Amplitude balance	±0.4dB
7	Phase balance	±4°
8	Forward power	30W
9	Reverse power	2W
10	Impedance	50Ω
11	Temperature range	-45°C to+85°C

JING XIN MICROWAVE TECHNOLOGY CO.,LTD

E-mail: sales@cdjx-mw.com Web: <http://www.cdjx-mw.com>

TEL: +86-28-85026087 FAX: +86-28-65026087 ext.8033 Zip Code:610045

Add: No.65,West 1st Wu Ke Road, Wu Hou District, Cheng Du City, Si Chuan Province, China.