

# Technical Proposal for JX-PD2-2G8G-20N Power Divider

- ◆ High Performance
- ◆ High Reliability

## Revision History

Version	Date	Author	Revision description	Comment
V1.0	2019/04/09	Lin liqun	Created	/

**JING XIN MICROWAVE TECHNOLOGY CO.,LTD**

E-mail: [sales@cdjx-mw.com](mailto:sales@cdjx-mw.com) Web: <http://www.cdjx-mw.com>

TEL: +86-28-85026087 FAX: +86-28-65026087 ext.8033 Zip Code:610045

Add: No.65,West 1st Wu Ke Road, Wu Hou District, Cheng Du City, Si Chuan Province, China.

## Table of content

Technical Proposal for JX-PD2-2G8G-20N Power Divider.....	1
1. Mechanical layout.....	2
2. Electrical analysis.....	3

## Figures

Figure 1 JX-PD2-2G8G-20N front panel layout.....	3
--	---

## Tables

Table 1 Mechanical Specifications.....	2
Table 2 Electrical specifications.....	3

### 1. Mechanical layout

Table 1 Mechanical Specifications

Dimension	L x W x H: 38mm x 29mm x 20mm
Port connectors	N- Female
Finish	Gray paint
Notes	Material shall be RoHS 6/6

**JING XIN MICROWAVE TECHNOLOGY CO.,LTD**

E-mail: [sales@cdjx-mw.com](mailto:sales@cdjx-mw.com) Web: <http://www.cdjx-mw.com>

TEL: +86-28-85026087 FAX: +86-28-65026087 ext.8033 Zip Code:610045

Add: No.65,West 1st Wu Ke Road, Wu Hou District, Cheng Du City, Si Chuan Province, China.

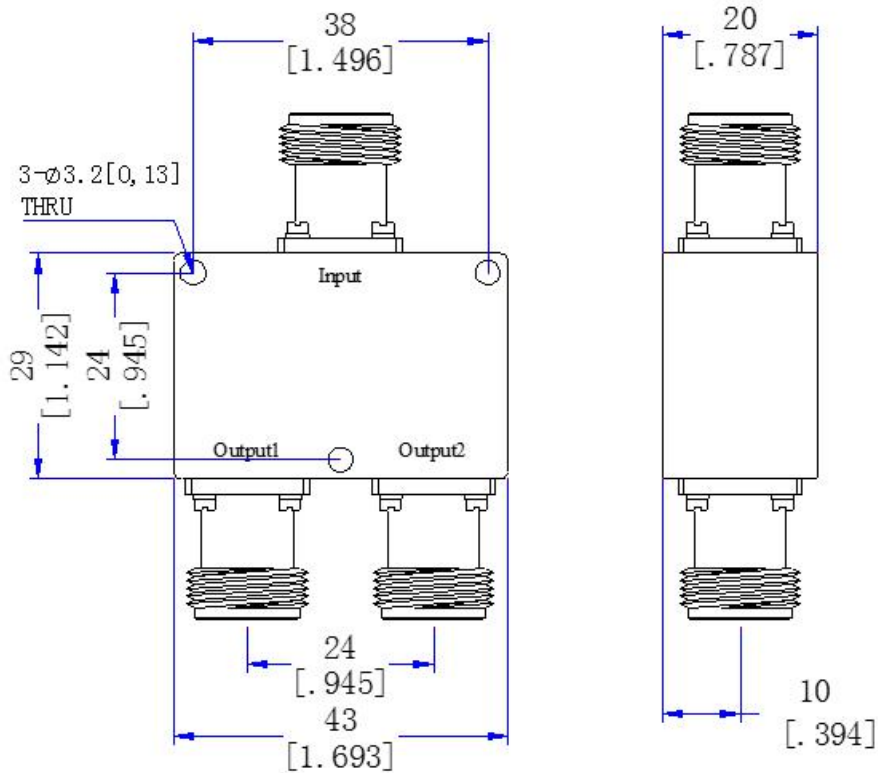


Figure 1 JX-PD2-2G8G-20N front panel layout

## 2. Electrical analysis

Table 2 Electrical specifications

Item	Parameter	Specification
1	Frequency range	2000-8000MHz
2	Insertion loss	≤0.8dB (Excluding theoretical loss 3.0 dB)
3	Input port VSWR	≤1.25
4	Output port VSWR	≤1.2
5	Isolation	≥ 20dB
6	Amplitude balance	≤ 0.2dB
7	Phase balance	±3°
8	Forward power	30W
9	Reverse power	2W
10	Impedance	50Ω
11	Temperature range	-45°C to+85°C

**JING XIN MICROWAVE TECHNOLOGY CO.,LTD**

E-mail: [sales@cdjx-mw.com](mailto:sales@cdjx-mw.com) Web: <http://www.cdjx-mw.com>

TEL: +86-28-85026087 FAX: +86-28-65026087 ext.8033 Zip Code:610045

Add: No.65,West 1st Wu Ke Road, Wu Hou District, Cheng Du City, Si Chuan Province, China.