

Technical Proposal for JX-CC2-1710M2700M-4310F50 Cavity Combiner

- ◆ Low PIM
- ◆ High Performance
- ◆ DC/AISG
- ◆ Lightning Protection
- ◆ IP67
- ◆ High Reliability

Revision History

| Version | Date | Author | Revision description | Comment |
|---------|------------|-----------|----------------------|---------|
| V1.0 | 2019/03/14 | Lin liqun | Created | / |
| | | | | |
| | | | | |
| | | | | |
| | | | | |
| | | | | |

JING XIN MICROWAVE TECHNOLOGY CO.,LTD

E-mail: sales@cdjx-mw.com Web: <http://www.cdjx-mw.com>

TEL: +86-28-85026087 FAX: +86-28-65026087 ext.8033 Zip Code:610045

Add: No.65,West 1st Wu Ke Road, Wu Hou District, Cheng Du City, Si Chuan Province, China.

Table of content

| | |
|--|---|
| Technical Proposal for JX-CC2-1710M2700M-4310F50 Cavity Combiner | 1 |
| 1. Mechanical layout..... | 3 |
| 2. Electrical analysis..... | 4 |
| 2.1 Schematic diagram of the Combiner..... | 4 |
| 2.2 Electrical specifications | 4 |

Figures

| | |
|---|---|
| Figure 1 JX-CC2-1710M2700M-4310F50 front panel layout | 3 |
| Figure 2 Schematic diagram of the combiner | 4 |

Tables

| | |
|---|---|
| Table 1 Mechanical specifications | 3 |
| Table 2 Electrical specifications..... | 4 |

JING XIN MICROWAVE TECHNOLOGY CO.,LTD

E-mail: sales@cdjx-mw.com Web: <http://www.cdjx-mw.com>

TEL: +86-28-85026087 FAX: +86-28-65026087 ext.8033 Zip Code:610045

Add: No.65,West 1st Wu Ke Road, Wu Hou District, Cheng Du City, Si Chuan Province, China.

1. Mechanical layout

Table 1 Mechanical specifications

| | |
|--------------------|-------------------------------|
| Dimension | L x W x H: 119mm x86mm x 46mm |
| Port connectors | 4.3-10/Female |
| Weight | 1.2kg |
| Relative humidity | 5%~95% |
| Ingress Protection | Indoor/Outdoor Use, IP67 |
| Notes | Material shall be RoHS 6/6 |

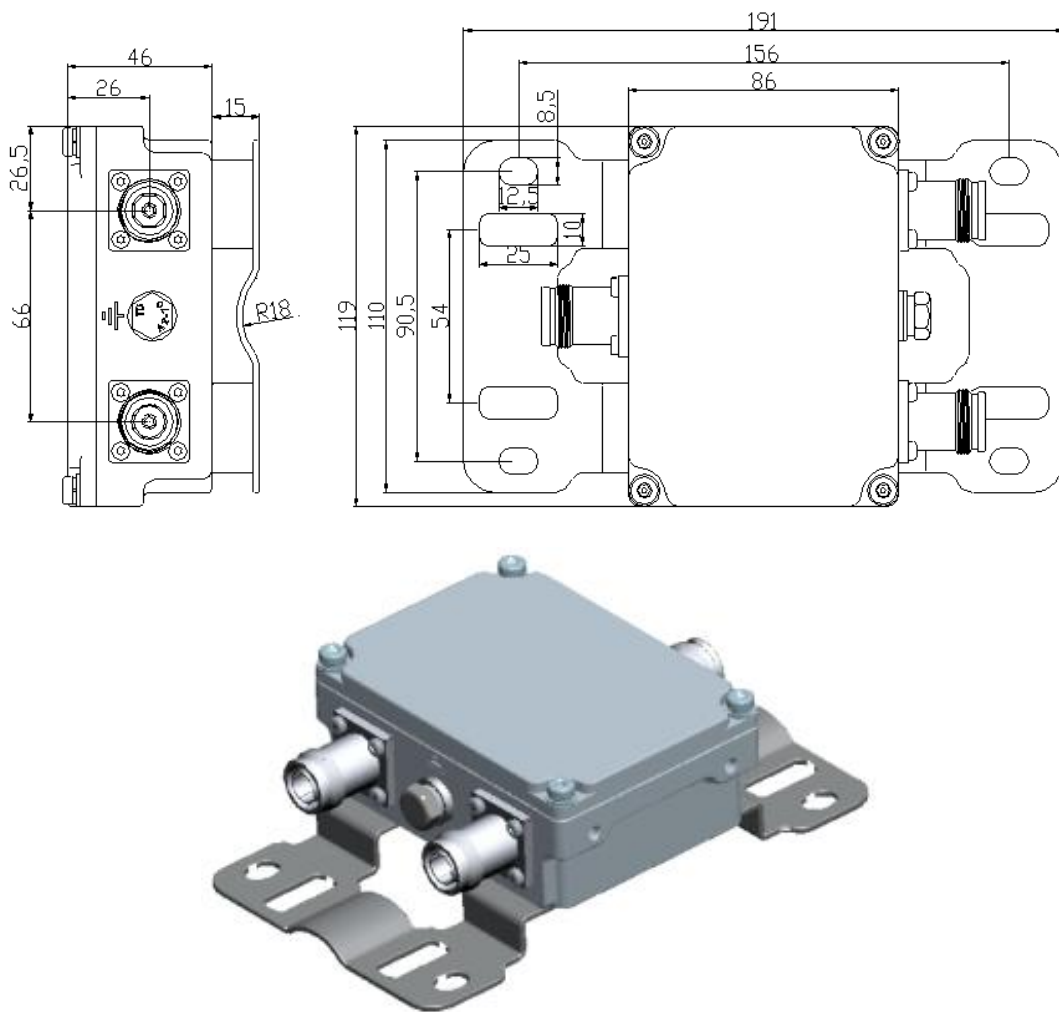


Figure 1 JX-CC2-1710M2700M-4310F50 front panel layout

JING XIN MICROWAVE TECHNOLOGY CO.,LTD

E-mail: sales@cdjx-mw.com Web: <http://www.cdjx-mw.com>

TEL: +86-28-85026087 FAX: +86-28-65026087 ext.8033 Zip Code:610045

Add: No.65,West 1st Wu Ke Road, Wu Hou District, Cheng Du City, Si Chuan Province, China.

2. Electrical analysis

2.1 Schematic diagram of the Combiner

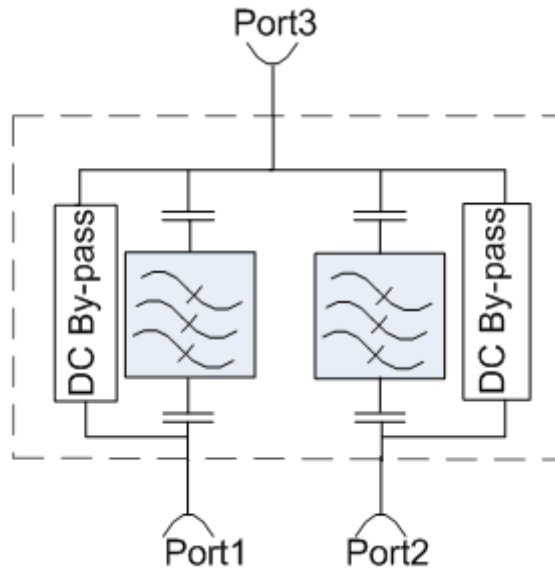


Figure 2 Schematic diagram of the combiner

2.2 Electrical specifications

Table 2 Electrical specifications

| Item | Parameter | Port1 | Port2 |
|------|----------------------|--|--------------|
| 1 | Frequency range | 1710-1880MHz | 2300-2700MHz |
| 2 | Insertion loss | ≤0.3dB | |
| 3 | Return loss | ≥20dB | |
| 4 | Isolation | ≥50dB | |
| 5 | Power | 200W | |
| 6 | Impedance | 50Ω | |
| 7 | DC/AISG | By-pass(max.3000 mA) | |
| 8 | Lightning protection | 10KA; 8/200us pulse | |
| 9 | Intermodulation | -150/155/160dBc@2x43dBm(3 rd order) | |
| 10 | Temperature range | -10°C to +60°C | |
| 11 | Storage temperature | -40 °C to +85 °C | |

JING XIN MICROWAVE TECHNOLOGY CO.,LTD

E-mail: sales@cdjx-mw.com Web: <http://www.cdjx-mw.com>

TEL: +86-28-85026087 FAX: +86-28-65026087 ext.8033 Zip Code:610045

Add: No.65,West 1st Wu Ke Road, Wu Hou District, Cheng Du City, Si Chuan Province, China.