

# Technical proposal for JX-BC-136M174M-22N Bridge Combiner

- ◆ High Performance
- ◆ High Reliability
- ◆ IP60

## Revision History

Version	Date	Author	Revision description	Comment
V1.0	2021/04/29	Lin liqun	Created	/

## Table of content

Technical proposal for JX-BC-136M174M-22N Bridge Combiner .....	1
1. Mechanical layout.....	2
2. Electrical specification .....	2

## Figures

Figure 1 JX-BC-136M174M-22N front panel layout .....	2
--	---

## Tables

Table 1 Mechanical specifications .....	2
Table 2 Electrical specifications.....	2

**JING XIN MICROWAVE TECHNOLOGY CO.,LTD**

E-mail: [sales@cdjx-mw.com](mailto:sales@cdjx-mw.com) Web: <http://www.cdjx-mw.com>

TEL: +86-28-85026087 FAX: +86-28-65026087 ext.8033 Zip Code:610045

Add: No.65,West 1st Wu Ke Road, Wu Hou District, Cheng Du City, Si Chuan Province, China.

## 1. Mechanical layout

Table 1 Mechanical specifications

Dimension	L x W x H: 111.2mm x 32.2mm x 18.2mm
Connectors	N-Female
Finish	Black (Paint spraying)
IP protection	IP60
Relative Humidity	5%-95%
Net Weight	0.4kg
Notes	Material shall be RoHS 6/6

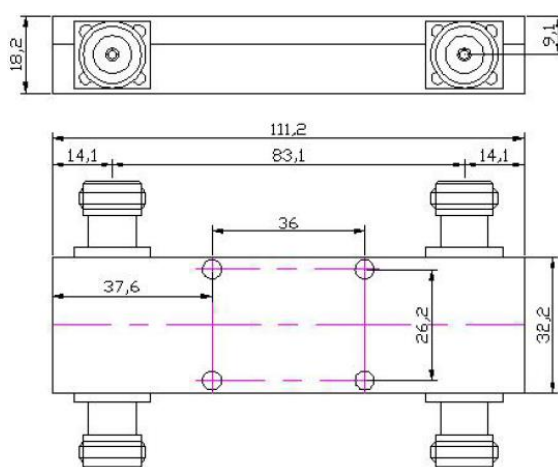


Figure 1 JX-BC-136M174M-22N front panel layout

## 2. Electrical specification

Table 2 Electrical specifications

Item	Parameter	Specification
1	Frequency range	136-174MHz
2	Insertion loss	$\leq 3.6\text{dB}$
3	Coupling	$3.0 \pm 0.7\text{dB}$
4	Isolation	$\geq 22\text{dB}$
5	VSWR	$\leq 1.25$
6	Power	50W
7	Impedance	$50\Omega$
8	Temperature range	$-30^{\circ}\text{C}$ to $+65^{\circ}\text{C}$

**JING XIN MICROWAVE TECHNOLOGY CO.,LTD**

E-mail: [sales@cdjx-mw.com](mailto:sales@cdjx-mw.com) Web: <http://www.cdjx-mw.com>

TEL: +86-28-85026087 FAX: +86-28-65026087 ext.8033 Zip Code:610045

Add: No.65,West 1st Wu Ke Road, Wu Hou District, Cheng Du City, Si Chuan Province, China.