

Technical proposal for JX-DC-340M2700M-4310Fx Directional Coupler

Revision History

Version	Date	Author	Revision description	Comment
V1.0	2018/09/27	Lin liqun	Created	

Table of content

Technical proposal for JX-DC-340M2700M-4310Fx Directional Coupler	1
1. Mechanical layout.....	2
2. Electrical analysis.....	3

Figures

Figure 1 JX-DC-340M2700M-4310Fx front panel layout.....	2
---	---

Tables

Table 1 Mechanical Specifications	2
Table 2 Electrical specifications.....	3

JING XIN MICROWAVE TECHNOLOGY CO.,LTD

E-mail: sales@cdjx-mw.com Web: <http://www.cdjx-mw.com>

TEL: +86-28-85026087 FAX: +86-28-65941390 Zip Code:610045

Add: No.65,West 1st Wu Ke Road, Wu Hou District, Cheng Du City, Si Chuan Province, China.

1. Mechanical layout

Table 1 Mechanical Specifications

Dimension	3-30dB (LxWxH: 177mm x 47mm x 27mm)
	40dB (LxWxH: 177mm x 50mm x 27mm)
Connector Type	4.3/10 MINI DIN/Female
Housing Finish Color	Gray / Gold / Frosted Matte Black
Applications	IP65
Notes	Material shall be RoHS 6/6
Remark	Install Bracket Include

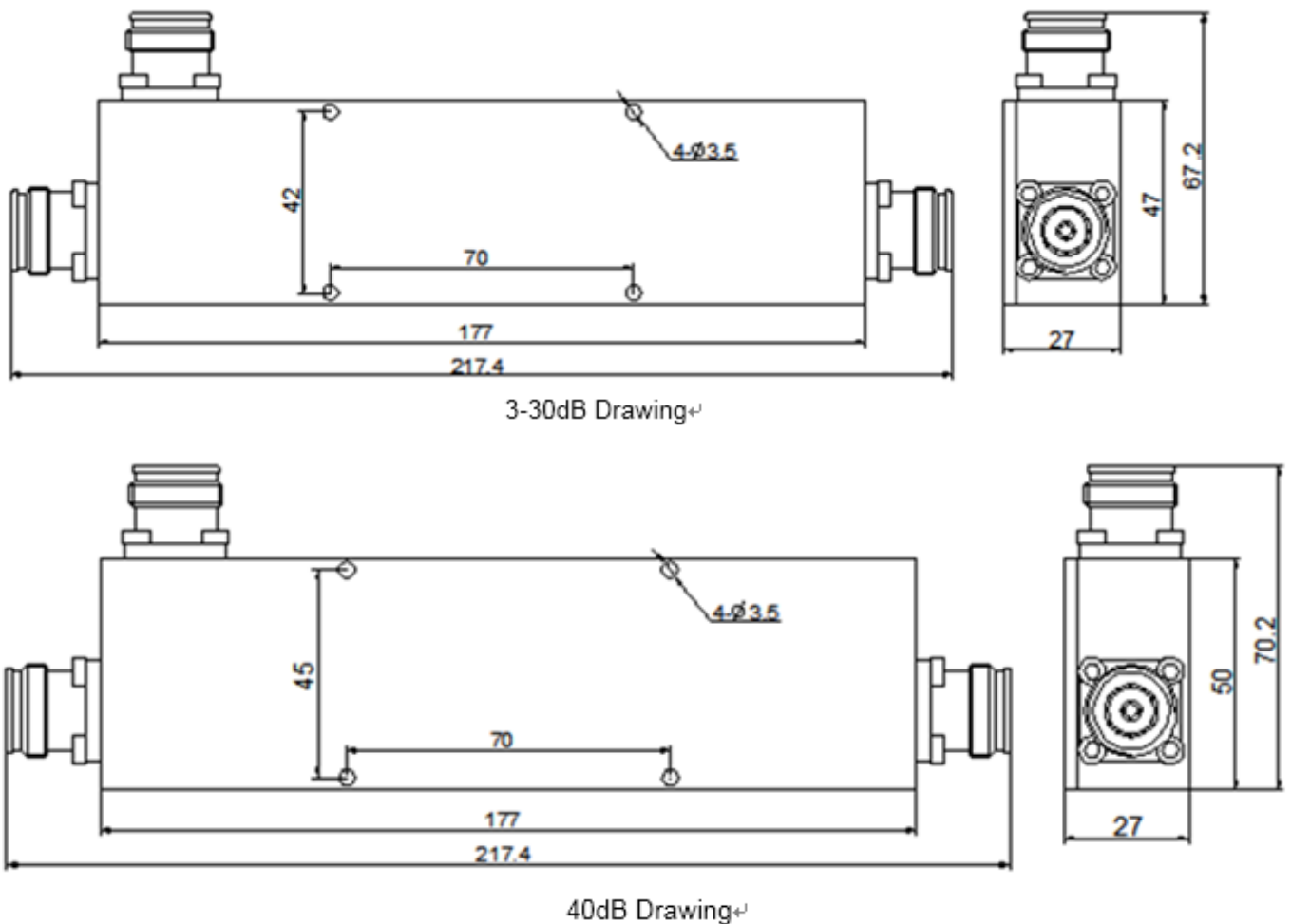


Figure 1 JX-DC-340M2700M-4310Fx front panel layout

JING XIN MICROWAVE TECHNOLOGY CO.,LTD

E-mail: sales@cdjx-mw.com Web: <http://www.cdjx-mw.com>

TEL: +86-28-85026087 FAX: +86-28-65941390 Zip Code:610045

Add: No.65,West 1st Wu Ke Road, Wu Hou District, Cheng Du City, Si Chuan Province, China.

2. Electrical analysis

Table 2 Electrical specifications

Item		Specification									
Frequency Range		340-2700MHz									
Model Number		JX-DC -340M 2700M -4310F 3	JX-DC -340M 2700M -4310F 5	JX-DC -340M 2700M -4310F 6	JX-DC -340M 2700M -4310F 8	JX-DC -340M 2700 M-431 0F10	JX-DC -340M 2700M -4310F 13	JX-DC -340M 2700M -4310F 15	JX-DC -340M 2700M -4310F 20	JX-DC -340M 2700M -4310F 30	JX-DC -340M 2700M -4310F 40
Coupling (dB)	380-2700	3±0.8	5±1.0	6±1.0	8±1.0	10±1.2	13±1.2	15±1.2	20±1.2	30±1.5	40±1.5
	340-380	3±1.0	5±1.3	6±1.5	8±1.5	10±1.7	13±1.7	15±1.7	20±1.8	30±1.8	40±1.8
Insertion loss		3.6dB	2.3dB	1.8dB	1.1dB	0.8dB	0.5dB	0.5dB	0.4dB	0.3dB	0.3dB
Directivity		20dB								18dB	
VSWR		1.25:1									
Intermodulation		-155dBc@2x43dBm									
Average Power		300W									
Impedance		50(Ω)									
Temperature Range		-35°C ~ +85°C									

*Can be Custom Made with -160 dBc@2x43dBm

JING XIN MICROWAVE TECHNOLOGY CO.,LTD

E-mail: sales@cdjx-mw.com Web: <http://www.cdjx-mw.com>

TEL: +86-28-85026087 FAX: +86-28-65941390 Zip Code:610045

Add: No.65,West 1st Wu Ke Road, Wu Hou District, Cheng Du City, Si Chuan Province, China.