

Technical proposal for JX-DC-130M180M-Nx Directional Couple

- ◆ High Performance
- ◆ High Reliability

Revision History

Version	Date	Author	Revision description	Comment
V1.0	2021/04/29	Lin liqun	Created	/

Table of content

Technical proposal for JX-DC-130M180M-Nx Directional Couple	1
1. Mechanical layout.....	2
2. Electrical specification	2

Figures

Figure 1 JX-DC-130M180M-Nx front panel layout	2
---	---

Tables

Table 1 Mechanical specifications	2
Table 2 Electrical specifications.....	2

JING XIN MICROWAVE TECHNOLOGY CO.,LTD

E-mail: sales@cdjx-mw.com Web: <http://www.cdjx-mw.com>

TEL: +86-28-85026087 FAX: +86-28-65026087 ext.8033 Zip Code:610045

Add: No.65,West 1st Wu Ke Road, Wu Hou District, Cheng Du City, Si Chuan Province, China.

1. Mechanical layout

Table 1 Mechanical specifications

Dimension	L x W x H: 143mm x 37mm x 19mm
Connectors	N-Female
Finish	Black (Paint spraying)
Notes	Material shall be RoHS 6/6

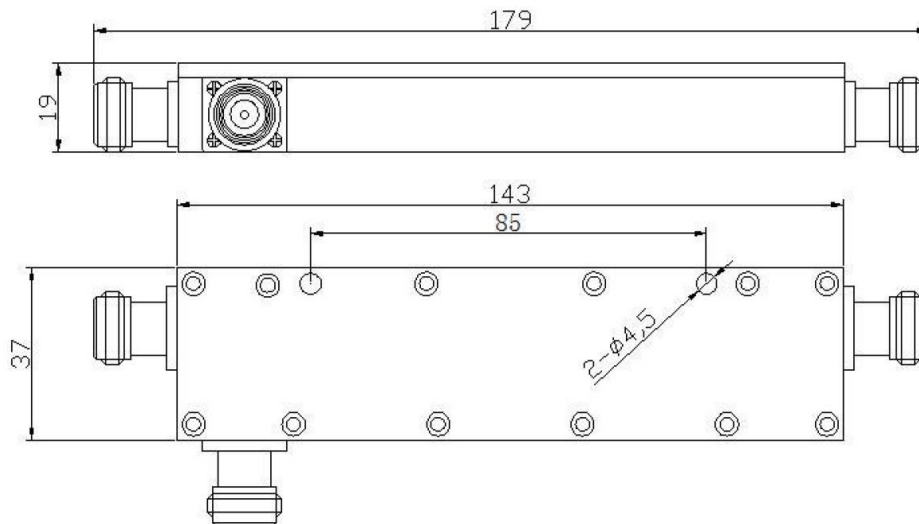


Figure 1 JX-DC-130M180M-Nx front panel layout

2. Electrical specification

Table 2 Electrical specifications

Item	Parameter	Specification				
1	Frequency range	130-180MHz				
2	Model number	JX-DC-130M 180M-N6	JX-DC-130M 180M-N10	JX-DC-130M 180M-N15	JX-DC-130M 180M-N20	JX-DC-130M 180M-N30
3	Attenuation Value	6±1.0dB	10±1.2dB	15±1.2dB	20±1.5dB	30±1.5dB
4	Insertion loss	2.0dB	1.0dB	0.4dB	0.3dB	0.3dB
5	Isolation	≥26dB	≥28dB	≥33dB	≥38dB	≥55dB
6	VSWR	≤1.25:1				
7	Power	200W				
8	Impedance	50 Ω				
9	Temperature range	-30°C to +70°C				

JING XIN MICROWAVE TECHNOLOGY CO.,LTD

E-mail: sales@cdjx-mw.com Web: <http://www.cdjx-mw.com>

TEL: +86-28-85026087 FAX: +86-28-65026087 ext.8033 Zip Code:610045

Add: No.65,West 1st Wu Ke Road, Wu Hou District, Cheng Du City, Si Chuan Province, China.