

# Technical proposal for JX-BC-3.4G4.2G-20S 90 Degree Hybrid

- ◆ High Performance
- ◆ High Reliability

## Revision History

Version	Date	Author	Revision description	Comment
V1.0	2019/07/24	Lin liqun	Created	/

## Table of content

Technical proposal for JX-BC-3.4G4.2G-20S 90 Degree Hybrid.....	1
1. Mechanical layout.....	2
2. Electrical analysis.....	2

## Figures

Figure 1 JX-BC-3.4G4.2G-20S front panel layout.....	2
---	---

## Tables

Table 1 Mechanical specifications.....	2
Table 2 Electrical specifications.....	2

**JING XIN MICROWAVE TECHNOLOGY CO.,LTD**

E-mail: [sales@cdjx-mw.com](mailto:sales@cdjx-mw.com) Web: <http://www.cdjx-mw.com>

TEL: +86-28-85026087 FAX: +86-28-65026087 ext.8033 Zip Code:610045

Add: No.65,West 1st Wu Ke Road, Wu Hou District, Cheng Du City, Si Chuan Province, China.

## 1. Mechanical layout

Table 1 Mechanical specifications

Dimension	LxWxH: 33.8mm x 13mm x 11mm
Connectors	SMA-Female
Finish	Grey Paint spraying
Notes	Material shall be RoHS 6/6

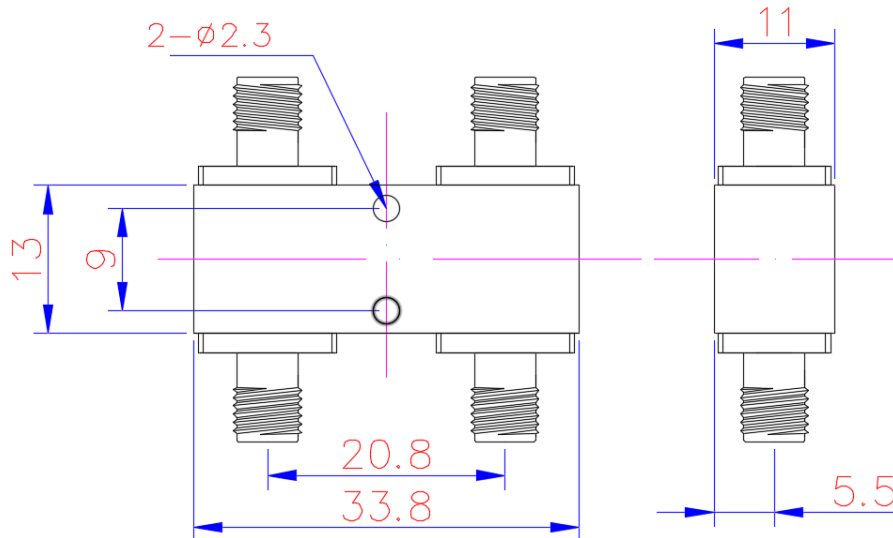


Figure 1 JX-BC-3.4G4.2G-20S front panel layout

## 2. Electrical analysis

Table 2 Electrical specifications

Item	Parameter	Specification
1	Frequency range	3400-4200MHz
2	VSWR	$\leq 1.25$
3	Insertion loss	$\leq 0.3\text{dB}$
4	Isolation	$\geq 20\text{dB}$
5	Power	20W
6	Amplitude Balance	$\leq \pm 0.5\text{dB}$
7	Phase Balance	$\leq \pm 3^\circ$
8	Impedance all ports	50 $\Omega$
9	Operational Temperature	-40 $^\circ\text{C}$ to +80 $^\circ\text{C}$
10	Storage Temperature	-45 $^\circ\text{C}$ to +85 $^\circ\text{C}$

**JING XIN MICROWAVE TECHNOLOGY CO.,LTD**

E-mail: [sales@cdjx-mw.com](mailto:sales@cdjx-mw.com) Web: <http://www.cdjx-mw.com>

TEL: +86-28-85026087 FAX: +86-28-65026087 ext.8033 Zip Code:610045

Add: No.65,West 1st Wu Ke Road, Wu Hou District, Cheng Du City, Si Chuan Province, China.