

# Technical Proposal for JX-POI-1710M2690M-35SLP Low Power POI

## Revision History

Version	Date	Author	Revision description	Comment
V1.0	2018/10/15	Lee	Created	/

**JING XIN MICROWAVE TECHNOLOGY CO.,LTD**

E-mail: [sales@cdjx-mw.com](mailto:sales@cdjx-mw.com) Web: <http://www.cdjx-mw.com>

TEL: +86-28-85026087 FAX: +86-28-65941390 Zip Code:610045

Add: No.65,West 1st Wu Ke Road, Wu Hou District, Cheng Du City, Si Chuan Province, China.

## Table of content

Technical Proposal for JX-POI-1710M2690M-35SLP Low Power POI .....	1
1. Mechanical layout.....	3
2. Electrical analysis.....	4
2.1 Electrical specifications .....	4
2.2 Schematic diagram of the POI .....	4

## Figures

Figure 1 JX-POI-1710M2690M-35SLP front panel layout.....	3
Figure 2 JX-POI-1710M2690M-35SLP front panel layout.....	4

## Tables

Table 1 Mechanical Specifications @ JX-POI-1710M2690M-35SLP.....	3
Table 2 Electrical specifications @ JX-POI-1710M2690M-35SLP.....	4

**JING XIN MICROWAVE TECHNOLOGY CO.,LTD**

E-mail: [sales@cdjx-mw.com](mailto:sales@cdjx-mw.com) Web: <http://www.cdjx-mw.com>

TEL: +86-28-85026087 FAX: +86-28-65941390 Zip Code:610045

Add: No.65,West 1st Wu Ke Road, Wu Hou District, Cheng Du City, Si Chuan Province, China.

### 1. Mechanical layout

Table 1 Mechanical Specifications @ JX-POI-1710M2690M-35SLP

Dimension	LxWxH: 400mm x 483mm x 44.5mm (Standard 19" Rack Mount 1U)
Port connectors	SMA-Female
Finish	Gray
Material	In door use
Notes	Material shall be RoHS 6/6

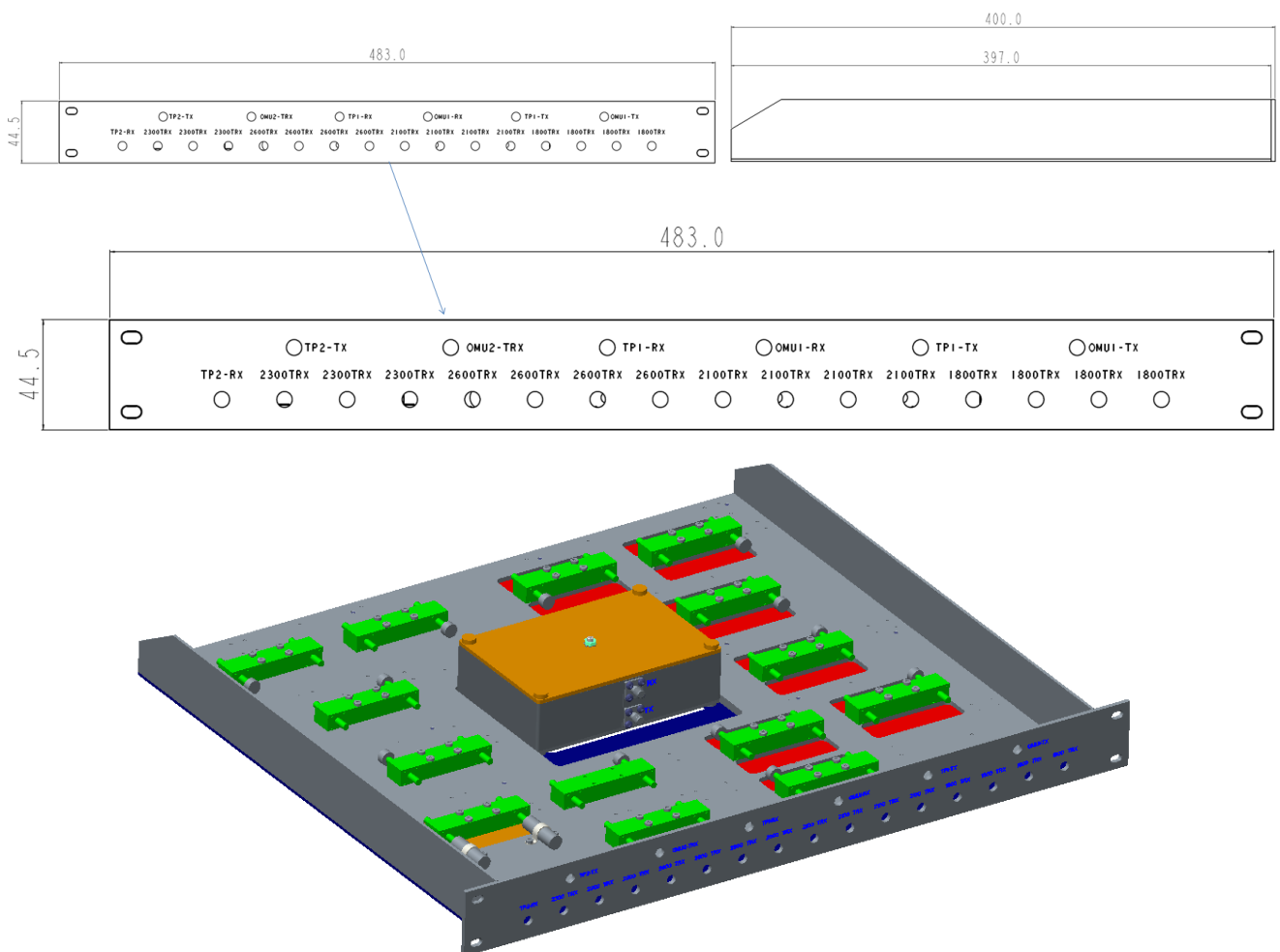


Figure 1 JX-POI-1710M2690M-35SLP front panel layout

**JING XIN MICROWAVE TECHNOLOGY CO.,LTD**

E-mail: [sales@cdjx-mw.com](mailto:sales@cdjx-mw.com) Web: <http://www.cdjx-mw.com>

TEL: +86-28-85026087 FAX: +86-28-65941390 Zip Code:610045

Add: No.65,West 1st Wu Ke Road, Wu Hou District, Cheng Du City, Si Chuan Province, China.

## 2. Electrical analysis

### 2.1 Electrical specifications

Table 2 Electrical specifications @ JX-POI-1710M2690M-35SLP

Item	Parameter	/
1	Frequency range	1710-1785MHz / 1805-1880MHz 1920-1980MHz / 2110-2170MHz 2300-2390MHz 2500-2570MHz / 2620-2690MHz
2	Return loss	≥12dB
3	Insertion loss	≤16dB
4	Isolation	≥20dB@In Band ≥35dB@Out of Band
5	Power Rating	+23dBm for each TRx port
6	Impedance	50Ohms
7	Temperature range	-5 °C to +50 °C

### 2.2 Schematic diagram of the POI

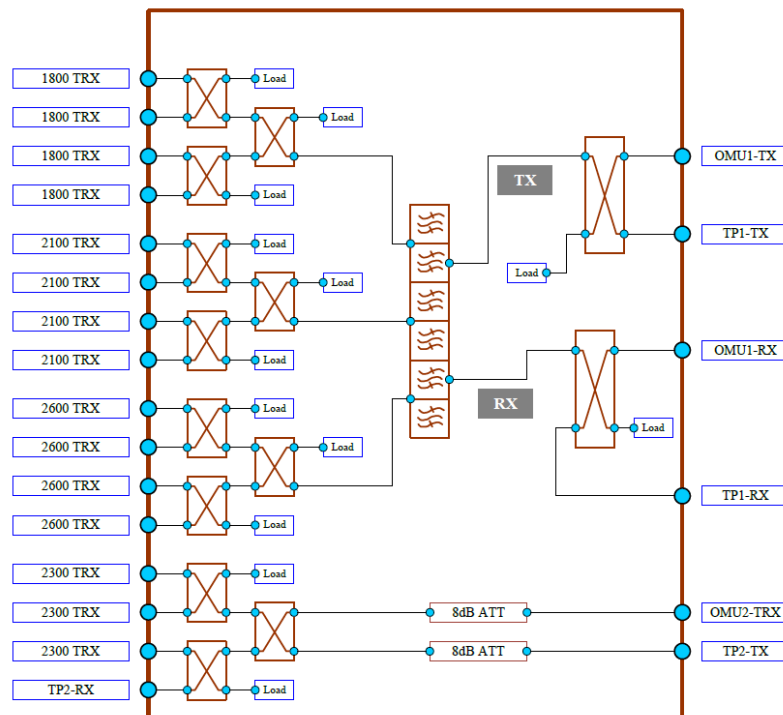


Figure 2 JX-POI-1710M2690M-35SLP front panel layout

**JING XIN MICROWAVE TECHNOLOGY CO.,LTD**

E-mail: [sales@cdjx-mw.com](mailto:sales@cdjx-mw.com) Web: <http://www.cdjx-mw.com>

TEL: +86-28-85026087 FAX: +86-28-65941390 Zip Code:610045

Add: No.65,West 1st Wu Ke Road, Wu Hou District, Cheng Du City, Si Chuan Province, China.