

# Technical proposal for JX-SNW-50-xx-3 Attenuator

◆ High Performance

◆ High Reliability

## Revision History

Version	Date	Author	Revision description	Comment
V1.0	2018/06/04	Lin liqun	Created	/
V1.1	2020/10/12	Lee	Updated the electrical specification: deleted the peak power	JingXin request

## Table of content

Technical proposal for JX-SNW-50-xx-3 Attenuator .....	1
1. Mechanical layout.....	2
2. Electrical specifications .....	2

## Figures

Figure 1 JX-SNW-50-xx-3 front panel layout.....	2
---	---

## Tables

Table 1 Mechanical specifications .....	2
Table 2 Electrical specifications.....	2

**JING XIN MICROWAVE TECHNOLOGY CO.,LTD**

E-mail: [sales@cdjx-mw.com](mailto:sales@cdjx-mw.com) Web: <http://www.cdjx-mw.com>

TEL: +86-28-85026087 FAX: +86-28-65026087 ext.8033 Zip Code:610045

Add: No.65,West 1st Wu Ke Road, Wu Hou District, Cheng Du City, Si Chuan Province, China.

## 1. Mechanical layout

Table 1 Mechanical specifications

Dimension	L x W x H: 128mm x 60mm x 60mm
Connectors	N-Male to N-Female
Weight	415.8g
Notes	Material shall be RoHS 6/6

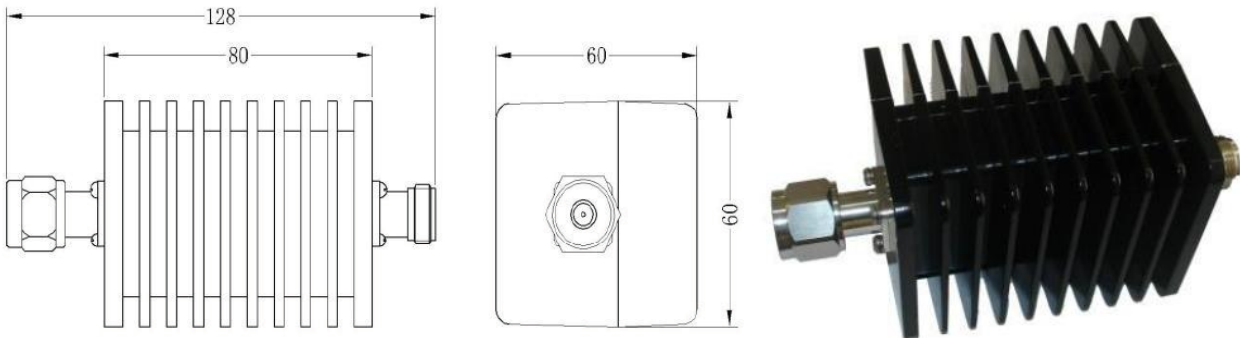


Figure 1 JX-SNW-50-xx-3 front panel layout

## 2. Electrical specifications

Table 2 Electrical specifications

Item	Parameter	Specification						
1	Frequency range	DC-3GHz						
2	Model number	JX-SNW-5 0-3-3	JX-SNW-5 0-6-3	JX-SNW-5 0-10-3	JX-SNW-5 0-15-3	JX-SNW-5 0-20-3	JX-SNW-5 0-30-3	JX-SNW-5 0-40-3
3	Attenuation	3dB	6dB	10dB	15dB	20dB	30dB	40dB
4	Decay accuracy	±0.4dB	±0.4dB	±0.5dB	±0.5dB	±0.6dB	±0.8dB	±1.0dB
5	In-band ripple	±0.3	±0.5	±0.7	±0.8	±0.8	±1.0	±1.0
6	VSWR	≤1.2						
7	Rated power	50W						
8	Temperature range	-55 to +125°C						
9	Impedance all ports	50Ω						
10	PIM3	≤-120dBc@2*33dBm						

**JING XIN MICROWAVE TECHNOLOGY CO.,LTD**

E-mail: [sales@cdjx-mw.com](mailto:sales@cdjx-mw.com) Web: <http://www.cdjx-mw.com>

TEL: +86-28-85026087 FAX: +86-28-65026087 ext.8033 Zip Code:610045

Add: No.65,West 1st Wu Ke Road, Wu Hou District, Cheng Du City, Si Chuan Province, China.