

Technical proposal for JX-CT-146M174M-40NF Coaxial Circulator

- ◆ High Performance
- ◆ High Reliability

Revision History

| Version | Date | Author | Revision description | Comment |
|---------|-----------|--------|-------------------------|-----------------|
| V1.0 | 2022/7/13 | Vivian | Created | / |
| V1.1 | 2022/8/10 | Vivian | Updated the Temperature | Jingxin request |
| | | | | |

Table of content

| | |
|---|---|
| Technical proposal for JX-CT-146M174M-40NF Coaxial Circulator | 1 |
| 1. Mechanical layout..... | 2 |
| 2. Electrical analysis..... | 2 |

Figures

| | |
|---|---|
| Figure 1 JX-CT-146M174M-40NF front panel layout | 2 |
|---|---|

Tables

| | |
|---|---|
| Table 1 Mechanical specifications | 2 |
| Table 2 Electrical specifications..... | 2 |

JING XIN MICROWAVE TECHNOLOGY CO.,LTD

E-mail: sales@cdjx-mw.com Web: <http://www.cdjx-mw.com>

TEL: +86-28-85026087 FAX: +86-28-65026087 ext.8033 Zip Code:610045

Add: No.65,West 1st Wu Ke Road, Wu Hou District, Cheng Du City, Si Chuan Province, China.

1. Mechanical layout

Table 1 Mechanical specifications

| | |
|------------|----------------------------|
| Dimension | As shown below |
| Connectors | N-F |
| Notes | Material shall be RoHS 6/6 |

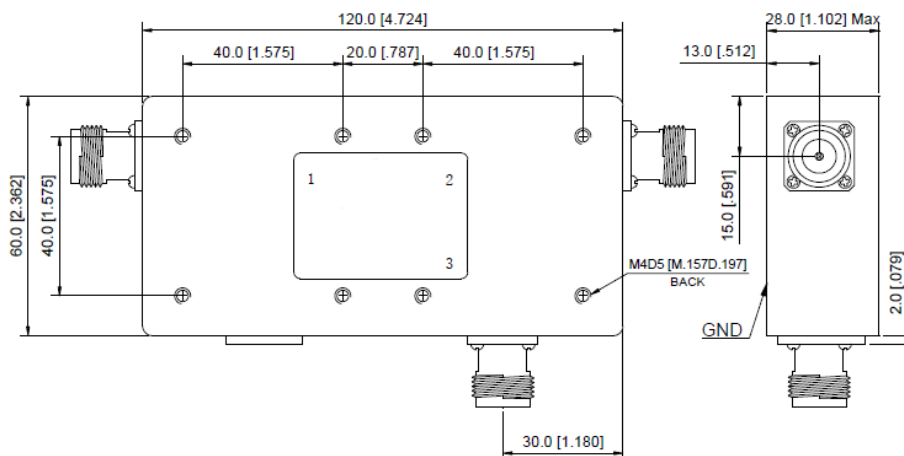


Figure 1 JX-CT-146M174M-40NF front panel layout

2. Electrical analysis

Table 2 Electrical specifications

| Item | Parameter | Specifications |
|------|---------------------|----------------|
| 1 | Frequency Range | 146-174MHz |
| 2 | Insertion Loss(1-2) | 1.0dB max |
| 3 | Isolation(2-1) | 40dB min |
| 4 | VSWR | 1.25max |
| 5 | Forward Power | 100W |
| 6 | Reverse Power | 100W |
| 7 | Temperature | 20°C to +70°C |

JING XIN MICROWAVE TECHNOLOGY CO.,LTD

E-mail: sales@cdjx-mw.com Web: <http://www.cdjx-mw.com>

TEL: +86-28-85026087 FAX: +86-28-65026087 ext.8033 Zip Code:610045

Add: No.65,West 1st Wu Ke Road, Wu Hou District, Cheng Du City, Si Chuan Province, China.