

Technical proposal for JX-AT-DC67G-1.85MFx Coaxial Attenuator

- ◆ Small Volume
- ◆ High Performance
- ◆ High Reliability

Revision History

Version	Date	Author	Revision description	Comment
V1.0	2020/06/29	Lin liqun	Created	/

Table of content

Technical proposal for JX-AT-DC67G-1.85MFx Coaxial Attenuator.....	1
1. Mechanical layout.....	2
2. Electrical analysis.....	3

Figures

Figure 1 JX-AT-DC67G-1.85MFx front panel layout	2
---	---

Tables

Table 1 Mechanical specifications @ JX-AT-DC67G-1.85MFx.....	2
Table 2 Electrical specifications @ JX-AT-DC67G-1.85MFx	3

JING XIN MICROWAVE TECHNOLOGY CO.,LTD

E-mail: sales@cdjx-mw.com Web: <http://www.cdjx-mw.com>

TEL: +86-28-85026087 FAX: +86-28-65026087 ext.8033 Zip Code:610045

Add: No.65,West 1st Wu Ke Road, Wu Hou District, Cheng Du City, Si Chuan Province, China.

1. Mechanical layout

Table 1 Mechanical specifications @ JX-AT-DC67G-1.85MFx

Dimension	Φ9mm*16mm
Connectors	1.85-Female to 1.85-Male
Interface	Comply With IEC 61169-40
Durability	>2000 Cycles
Housing	Stainless Steel, Polished & Passivated
Center Conductor	Beryllium Copper, Gold Plated
Dielectric	PEEK
Nut	Stainless Steel, Polished & Passivated
Weight	3.5g
Notes	Material shall be RoHS 6/6

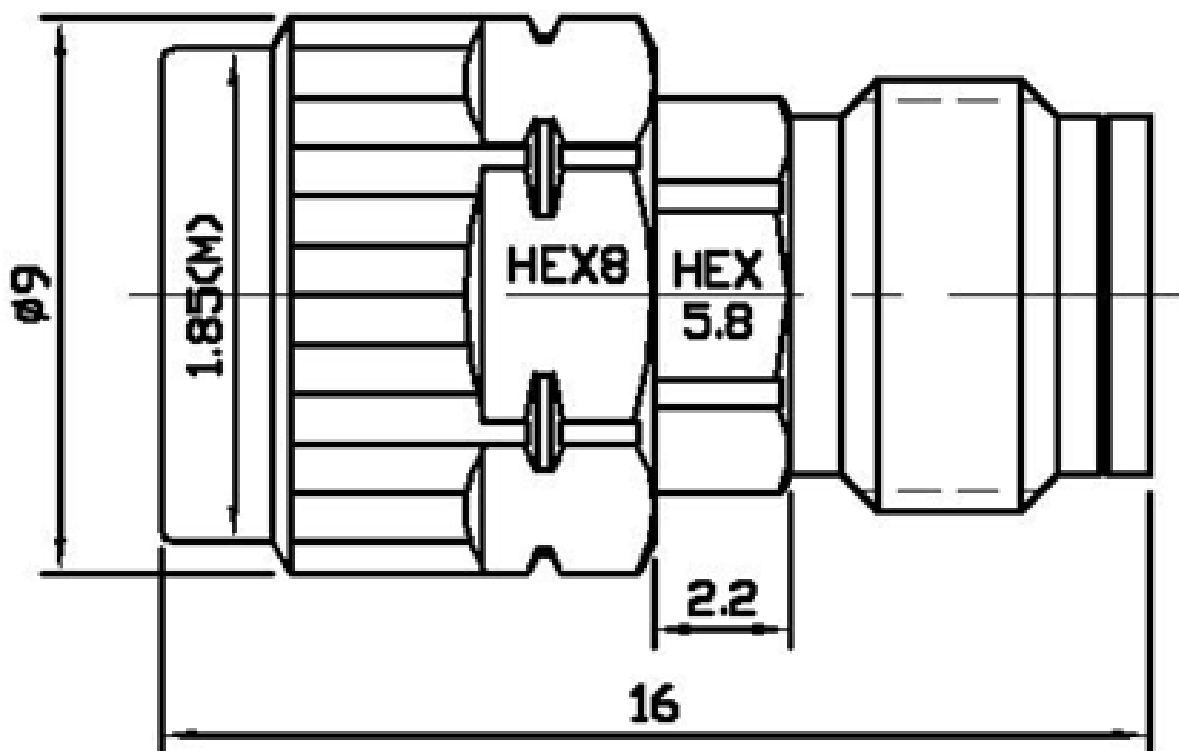


Figure 1 JX-AT-DC67G-1.85MFx front panel layout

JING XIN MICROWAVE TECHNOLOGY CO.,LTD

E-mail: sales@cdjx-mw.com Web: <http://www.cdjx-mw.com>

TEL: +86-28-85026087 FAX: +86-28-65026087 ext.8033 Zip Code:610045

Add: No.65,West 1st Wu Ke Road, Wu Hou District, Cheng Du City, Si Chuan Province, China.

2. Electrical analysis

Table 2 Electrical specifications @ JX-AT-DC67G-1.85MFx

Frequency range	DC-67GHz											
Model number	JX-AT-DC67G-1.85MF1	JX-AT-DC67G-1.85MF2	JX-AT-DC67G-1.85MF3	JX-AT-DC67G-1.85MF4	JX-AT-DC67G-1.85MF5	JX-AT-DC67G-1.85MF6	JX-AT-DC67G-1.85MF7	JX-AT-DC67G-1.85MF8	JX-AT-DC67G-1.85MF9	JX-AT-DC67G-1.85MF10	JX-AT-DC67G-1.85MF20	JX-AT-DC67G-1.85MF30
Attenuation	1dB	2dB	3dB	4dB	5dB	6dB	7dB	8dB	9dB	10dB	20dB	30dB
Attenuation accuracy	-1.0/+1.5dB									-1.0/+1.5dB	-1.0/+2.0dB	
VSWR	≤1.45											
Power	≤1W											
Impedance	50Ω											
Temperature range	-55°C to +125°C											

JING XIN MICROWAVE TECHNOLOGY CO.,LTD

E-mail: sales@cdjx-mw.com Web: <http://www.cdjx-mw.com>

TEL: +86-28-85026087 FAX: +86-28-65026087 ext.8033 Zip Code:610045

Add: No.65,West 1st Wu Ke Road, Wu Hou District, Cheng Du City, Si Chuan Province, China.