

# Technical proposal for JX-BC-575M6000M-4310NDF Hybrid Coupler

- ◆ High Performance
- ◆ High Reliability

## Revision History

Version	Date	Author	Revision description	Comment
V1.0	2019/03/20	Vivian	Created	/

## Table of content

Technical proposal for JX-BC-575M6000M-4310NDF Bridge Combiner .....	1
1. Mechanical layout.....	2
2. Electrical specification .....	3

## Figures

Figure 1 N-Female front panel layout .....	2
Figure 2 Din-Female front panel layout .....	2

## Tables

Table 1 Mechanical specifications .....	2
Table 2 Electrical specifications.....	3

**JING XIN MICROWAVE TECHNOLOGY CO.,LTD**

E-mail: [sales@cdjx-mw.com](mailto:sales@cdjx-mw.com) Web: <http://www.cdjx-mw.com>

TEL: +86-28-85026087 FAX: +86-28-65026087 ext.8033 Zip Code:610045

Add: No.65,West 1st Wu Ke Road, Wu Hou District, Cheng Du City, Si Chuan Province, China.

## 1. Mechanical layout

Table 1 Mechanical specifications

Dimension	L x W x H: 165mm x 43mm x 36mm
Connectors	N-F or 4.3-10F or DIN-F
Notes	Material shall be RoHS 6/6

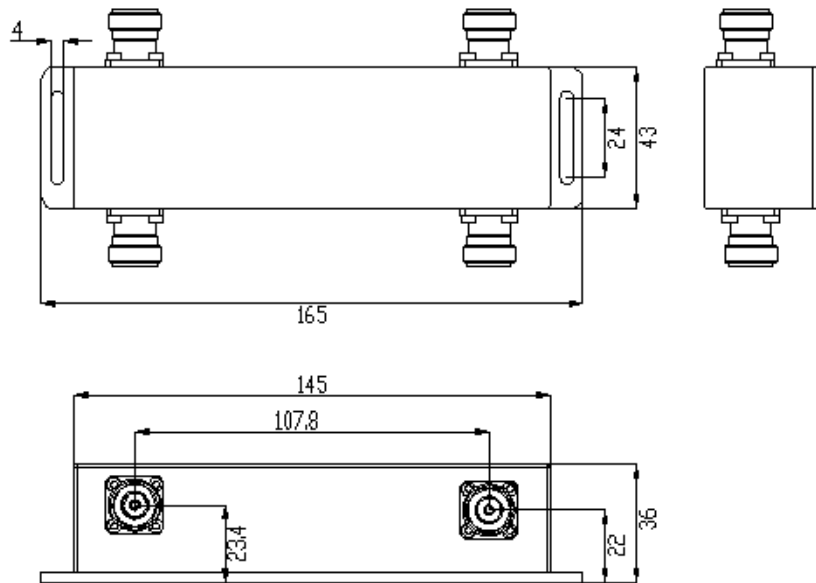


Figure 1 N-Female front panel layout

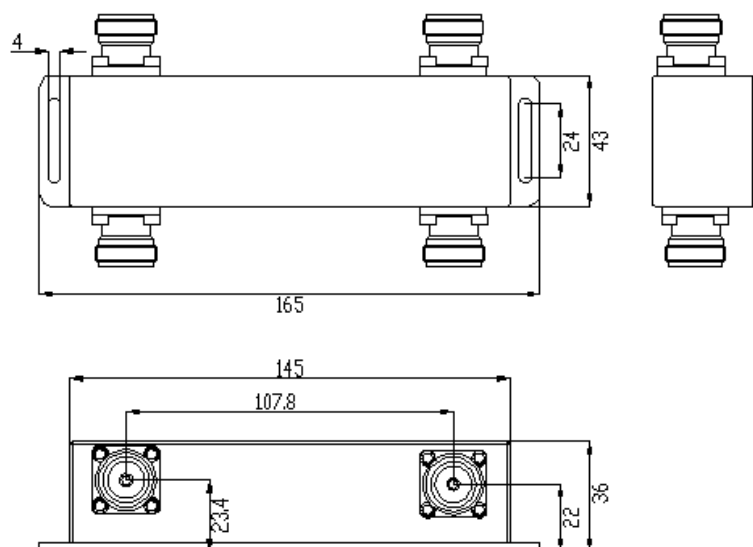


Figure 2 DIN-Female front panel layout

**JING XIN MICROWAVE TECHNOLOGY CO.,LTD**

E-mail: [sales@cdjx-mw.com](mailto:sales@cdjx-mw.com) Web: <http://www.cdjx-mw.com>

TEL: +86-28-85026087 FAX: +86-28-65026087 ext.8033 Zip Code:610045

Add: No.65,West 1st Wu Ke Road, Wu Hou District, Cheng Du City, Si Chuan Province, China.

## 2. Electrical specification

Table 2 Electrical specifications

Item	Parameter	Specification
1	Frequency range	575-6000MHz
2	Coupling	3.1±1.0dB
3	Input Isolation	20dB
4	VSWR	1.30:1
5	Power Rating	200W
6	Intermodulation	-153, 2x43dBm (reflecting 900MHz、1800MHz)
7	Impedance	50Ω
8	Temperature range	-25°C to +85°C
9	Applications	IP65

**JING XIN MICROWAVE TECHNOLOGY CO.,LTD**

E-mail: [sales@cdjx-mw.com](mailto:sales@cdjx-mw.com) Web: <http://www.cdjx-mw.com>

TEL: +86-28-85026087 FAX: +86-28-65026087 ext.8033 Zip Code:610045

Add: No.65,West 1st Wu Ke Road, Wu Hou District, Cheng Du City, Si Chuan Province, China.