

# Technical proposal for JX-CT-2.0G6.0G-12PIN Drop-In Circulator

- ◆ High Performance
- ◆ High Reliability

## Revision History

Version	Date	Author	Revision description	Comment
V1.0	2023/05/11	Vivian	Created	/

## Table of content

Technical proposal for JX-CT-2.0G6.0G-12PIN Drop-In Circulator .....	1
1. Mechanical layout.....	2
2. Electrical analysis.....	2

## Figures

Figure 1 JX-CT-2.0G6.0G-12PIN front panel layout.....	2
---	---

## Tables

Table 1 Mechanical specifications .....	2
Table 2 Electrical specifications.....	2

**JING XIN MICROWAVE TECHNOLOGY CO.,LTD**

E-mail: [sales@cdjx-mw.com](mailto:sales@cdjx-mw.com) Web: <http://www.cdjx-mw.com>

TEL: +86-28-85026087 FAX: +86-28-65026087 ext.8033 Zip Code:610045

Add: No.65,West 1st Wu Ke Road, Wu Hou District, Cheng Du City, Si Chuan Province, China.

## 1. Mechanical layout

Table 1 Mechanical specifications

Dimension	As shown below
Connector Type	Strip line
Notes	Material shall be RoHS 6/6

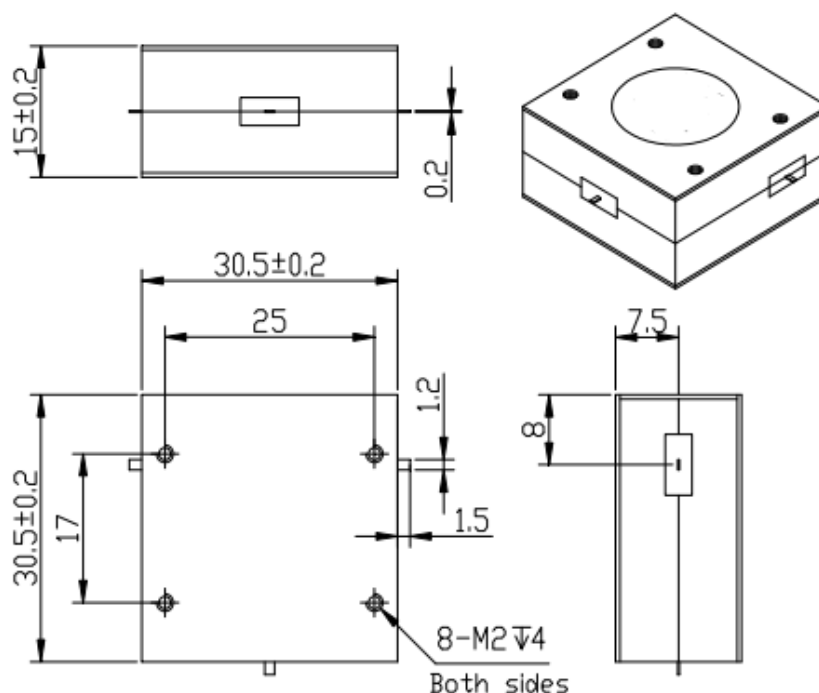


Figure 1 JX-CT-2.0G6.0G-12PIN front panel layout

## 2. Electrical analysis

Table 2 Electrical specifications

Item	Parameter	Specifications
1	Frequency Range	2.0-6.0GHz
2	Insert Loss	0.85dB max 1.7dB max@-40°C~+70°C
3	Isolation	12dB min
4	VSWR	1.5max 1.6max@-40°C~+70°C
5	Forward Power	100W CW
6	Temperature	-40°C ~+70 °C

**JING XIN MICROWAVE TECHNOLOGY CO.,LTD**

E-mail: [sales@cdjx-mw.com](mailto:sales@cdjx-mw.com) Web: <http://www.cdjx-mw.com>

TEL: +86-28-85026087 FAX: +86-28-65026087 ext.8033 Zip Code:610045

Add: No.65,West 1st Wu Ke Road, Wu Hou District, Cheng Du City, Si Chuan Province, China.