

Technical proposal for JX-CI-43.5G45.5G-2.4mm-Male Coaxial Isolator

- ◆ High Performance
- ◆ High Reliability

Revision History

Version	Date	Author	Revision description	Comment
V1.0	2023/09/06	Vivian	Created	/
V1.1	2023/10/10	Vivian	Updated the test curve	Customer request

Table of content

Technical proposal for JX-CI-43.5G45.5G-2.4mm-Male Coaxial Isolator.....	1
1. Mechanical layout.....	2
2. Electrical analysis.....	2
2.1 Electrical specification	2
2.2 The test curve.....	3

Figures

Figure 1 JX-CI-43.5G45.5G-2.4mm-Male front panel layout.....	2
Figure 2 the test curve of 25°C	3
Figure 3 the test curve of 80°C	3
Figure 4 the test curve of -40°C	3

Tables

Table 1 Mechanical specifications	2
Table 2 Electrical specifications.....	2

JING XIN MICROWAVE TECHNOLOGY CO.,LTD

E-mail: sales@cdjx-mw.com Web: <http://www.cdjx-mw.com>

TEL: +86-28-85026087 FAX: +86-28-65026087 ext.8033 Zip Code:610045

Add: No.65,West 1st Wu Ke Road, Wu Hou District, Cheng Du City, Si Chuan Province, China.

1. Mechanical layout

Table 1 Mechanical specifications

Dimension	As shown as below
Rotation	Clockwise
Input / Output Connectors	2.4mm-male
Finish	Nickel
Case Material	Aluminum alloy
Notes	Material shall be RoHS 6/6

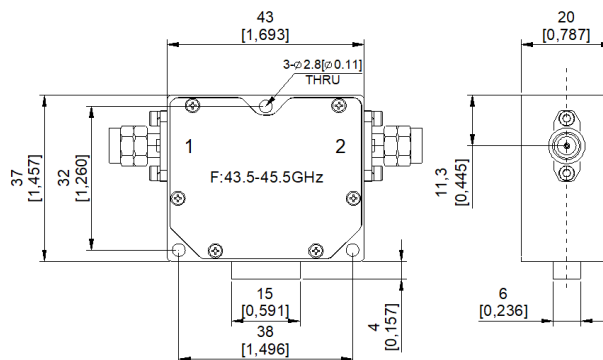


Figure 1 JX-CI-43.5G45.5G-2.4mm-Male front panel layout

2. Electrical analysis

2.1 Electrical specification

Table 2 Electrical specifications

Item	Parameter	Specifications			
		Min	Typical	Max	Unit
1	Frequency Range	43.5-45.5			GHz
2	Insertion Loss	@25°C	1.2	1.5	dB
		@-40~+80°C	1.6	2.0	dB
3	Isolation	@25°C	14	15	dB
		@-40~+80°C	12	13	dB
4	VSWR	@25°C	1.5:1	1.6:1	dB
		@-40~+80°C	1.6:1	1.7:1	dB
5	Forward Power			10	W
6	Reverse Power			1	W

JING XIN MICROWAVE TECHNOLOGY CO.,LTD

E-mail: sales@cdjx-mw.com Web: <http://www.cdjx-mw.com>

TEL: +86-28-85026087 FAX: +86-28-65026087 ext.8033 Zip Code:610045

Add: No.65,West 1st Wu Ke Road, Wu Hou District, Cheng Du City, Si Chuan Province, China.

2.2 The test curve

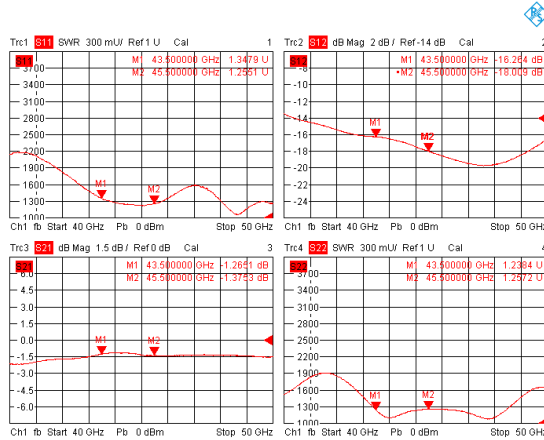


Figure 2 the test curve of 25°C

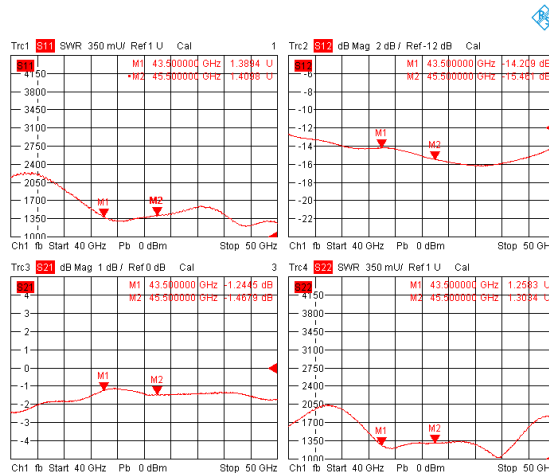


Figure 3 the test curve of 80°C

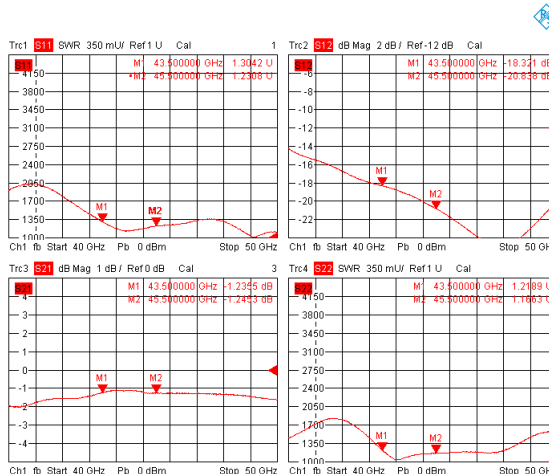


Figure 4 the test curve of -40°C

JING XIN MICROWAVE TECHNOLOGY CO.,LTD

E-mail: sales@cdjx-mw.com Web: <http://www.cdjx-mw.com>

TEL: +86-28-85026087 FAX: +86-28-65026087 ext.8033 Zip Code:610045

Add: No.65,West 1st Wu Ke Road, Wu Hou District, Cheng Du City, Si Chuan Province, China.