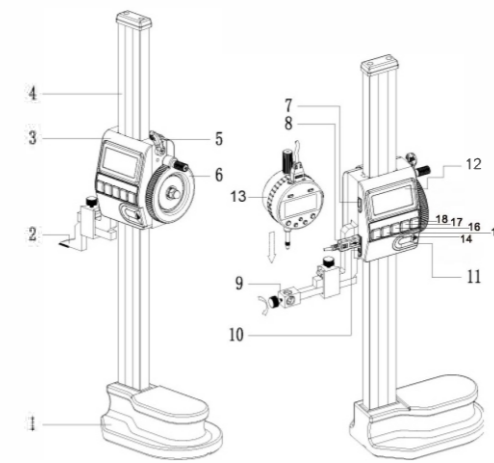




IP65 WATERPROOF DIGITAL HEIGHT GAUGE INSTRUCTION MANUAL

For your safety and UE please read instruction book before using our products.
Thanks for choosing Dasqua!

PRODUCT DRAWING



- 1. Base
- 2. Scriber
- 3. Electronic components
- 4. Main scale
- 5. Lock wrench
- 6. Hand wheel
- 7. Data input
- 8. Data output
- 9. Clamping device for indicator
- 10. Power port
- 11. Batt cover
- 12. LCD screen
- 13. Digital indicator (optional)
- 14. INC button
- 15. In/mm button
- 16. HOLD button
- 17. PRESET button
- 18. ...Zero button

TECHNICAL DATA SHEET

- Range(mm):0-300mm/0-12",0-600mm/0-24",0-1000mm/0-40"
- Reading(mm):0.001mm/0.0005"
- Indication accuracy(mm):0.03mm(0-300);0.05mm(0-600);0.07mm(0-1000)
- Storage: -20~+70°C
- Operation condition: TEMP 0~+40°C, No limits on Moisture
- Battery: CR2032Li-ion lasting>0.5 over half year.

PRODUCT FEATURES

- Inductive measuring system.
- Ip65
- Super large LCD screen.
- SPC data output to Office.
- External power port.
- External data input port with cable. No need to repeating calibration.

IP65 WATERPROOF DIGITAL HEIGHT GAUGE Dasqua

BATTERY

- Replace battery when screen blinks.
- Battery cover on bottom left.

FUNCTIONAL BUTTONS

- ...0button:press to turn on/off hold for over 3s to reset (move vernier to turn on within 8h).
- in/mm button:pres to transfer in/mm.
- HOLD button:press to lock/unlock.
- INC button:press to execute Relative & ABS function.
- PRESET button
 - a. Press and hold PRESET button(over 1.5S) till there's a "P"blinking on screen.
 - b. Press PRESET button, numbers blink on screen, when it move to the digit needed, press PRESET button to set 0-9, then it will move to next digit automatically.
 - c. Once value's are set the "P" shows again on LCD screen then press Preset button to save.

SETTING & MEASURING REFERENCE

- Clean base and claw before setting.
- Release lock wrench.
- Move electronic components by rotate hand wheel . conduct the scriber with base carefully once it touches with the surface, press and hold INC button until screen shows"0.00"or"INC 0.00".

INSTRUCTION

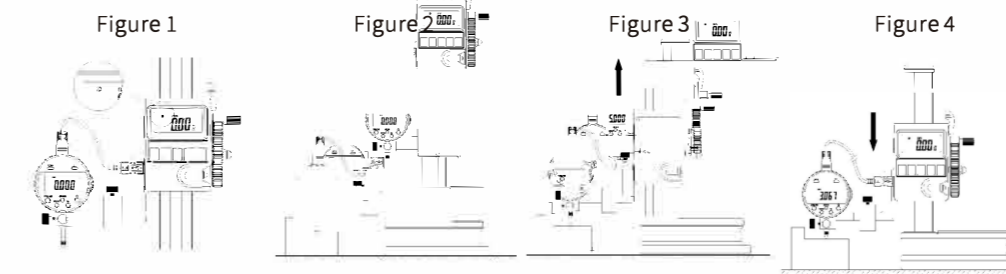
- Clean and keep the measuring surface in dry condition. Load the measuring hand and clamp it.
- Clean the Worktable and set height gauge on it. Release lock wrench, move vernier.
- Check the condition of LCD screen and functional buttons.
- Move vernier by rotate hand wheel.
- Mostly, set base as original point.

Contact measuring hand with surface of base measuring force 3-5N to ensure accuracy. The value should be 0, if not, press ...0 button to set to 0.

IP65 WATERPROOF DIGITAL HEIGHT GAUGE Dasqua

DATA FUNCTION

- Remove scriber then load the clamping rod instead.
- Install digital indicator (ø8mm or ø3/8) then clamp it.
- If connect height gauge and digital indicator with cable, height gauge will collect digital indicator data automatically. If it connected successfully, height gauge will display "ID" characters on screen, at this time, the height gauge turns to a digital micrometer, electronic height gauge display screen will be turn as well. The micrometer data can only be used as a symbol, not as a standard result. (Shows in F1)
- Move the electronic components to contact measuring point with the surface measured then set height gauge and digital indicator to "O" position separately (Shows on F2). Within the measuring range of digital indicator, moving the electronic components will not change the value shows on screen. The value will keep the same as the value of plane of measurement. (Shows on F3, F4)



CLEARANCE

- Clear height gauge after using. Soft cloth is recommended. No any solvent!
- Don't dip the product in any liquid material.
- Liquid may lead digital error, so make sure it keep in dry condition.
- Re-load battery then press ON button to turn on.

IP65 WATERPROOF DIGITAL HEIGHT GAUGE Dasqua

FAQ

Problems	Solution
Not displaying	Check battery or replace battery
Data error	Reset height gauge by removing battery. load battery 30s later, then turn it on
Blinking numbers	Battery low, replace it

NOTE

- Keep it in dry condition and avoid shock.
- Hold the base when try to move the product.
- When not using, keep the electronic components in low position but not lower than the base. Remove scriber if not going to use for long time and scrub metal parts with slushing oil.
- Avoid prolonged contact with liquids
- Keep height gauge away from strong magnetic area.