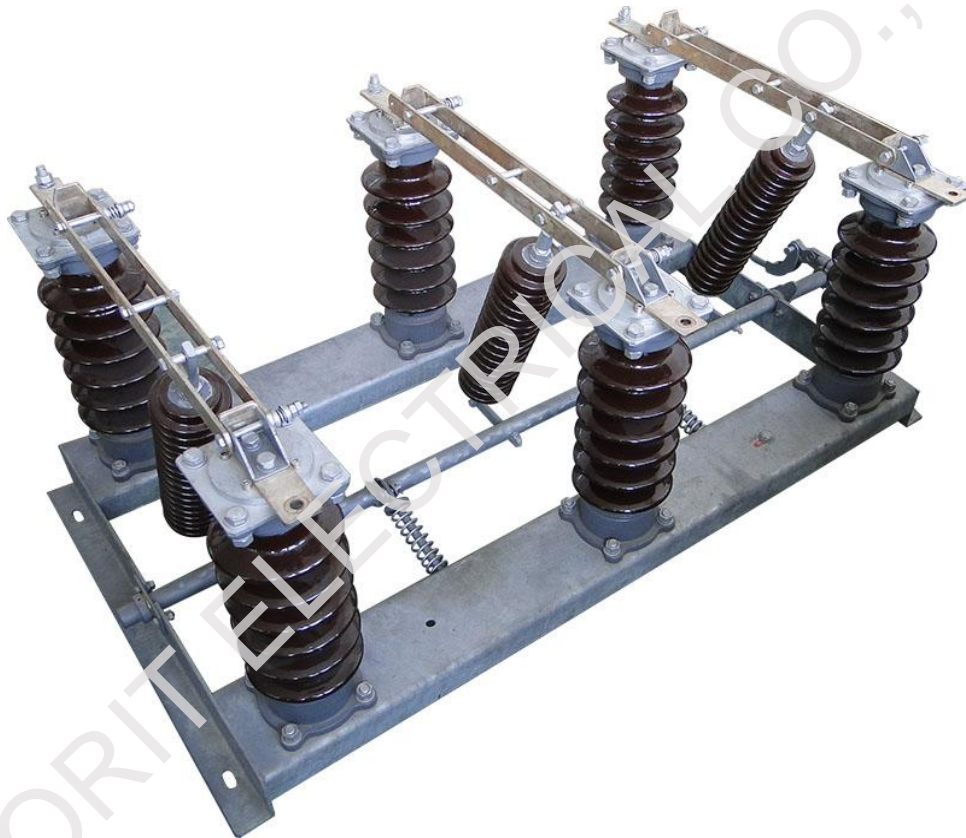




GW□-12 Outdoor AC HV Disconnect Switch



GHORIT ELECTRICAL CO., LTD.

※ Outline

GW□-12 outdoor AC HV disconnect switch (disconnect switch for short hereunder) is used in electric power system with rated frequency 50Hz, rated voltage 12kV, is mainly for making or breaking circuit under line supplying voltage in outdoor high voltage distribution system equipment. Thereof anti-pollution type disconnect switch can effectively solve the filth flash during operation so as to meet the requirements of users in heavily polluted area.

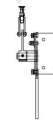
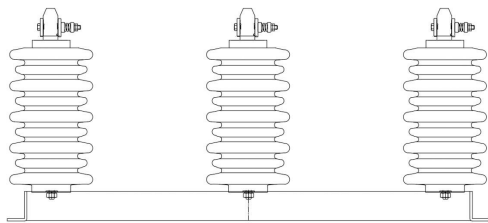
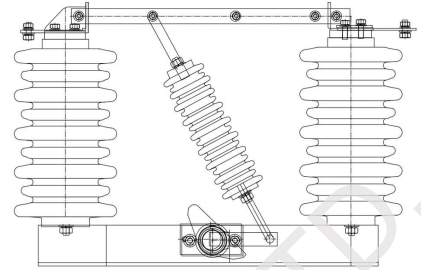
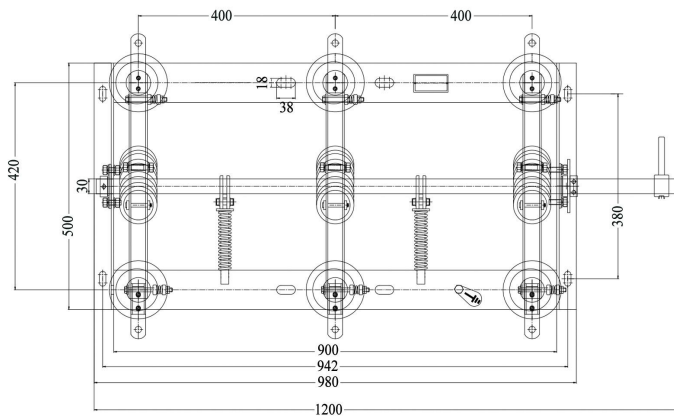
※ Environmental Conditions

- ◆ Altitude: $\leq 1000\text{m}$ (above sea level);
- ◆ Ambient temperature: $-30^{\circ}\text{C}\sim+50^{\circ}\text{C}$;
- ◆ Wind pressure $\leq 700\text{Pa}$ (equal to speed 35m/s);
- ◆ Degree of polluted air: IV;
- ◆ Earthquake intensity: not exceed degree 8;
- ◆ The thickness of covering ice $\leq 10\text{mm}$;
- ◆ No fire, explosive danger, heavy pollution and chemical erosion as well as no serious vibration.

※ Main Technical Parameters

NO.	Item	Unit	Value
1	Rated voltage	kV	12
2	Rated current	A	630
3	Rated frequency	Hz	50
4	Rated withstand current (peak value)	kA	50, 63
5	Rated short time withstand current	kA	20, 25
6	Rated duration of short time withstand current	S	4
7	Main circuit resistance	$\mu\Omega$	≤ 110
8	1min power frequency withstand voltage (RMS) phase-to-phase, phase -to-earth/ across the open contacts	dry	42/48
9		wet	34
10	Lighting impulse withstand voltage (peak) phase-to-phase, phase -to-earth/ across the open contacts	kV	75/85
11	Mechanical life	Times	2000

※ Overall Dimensions (unit: mm)



GHORIT ELECTRICAL CO., LTD.