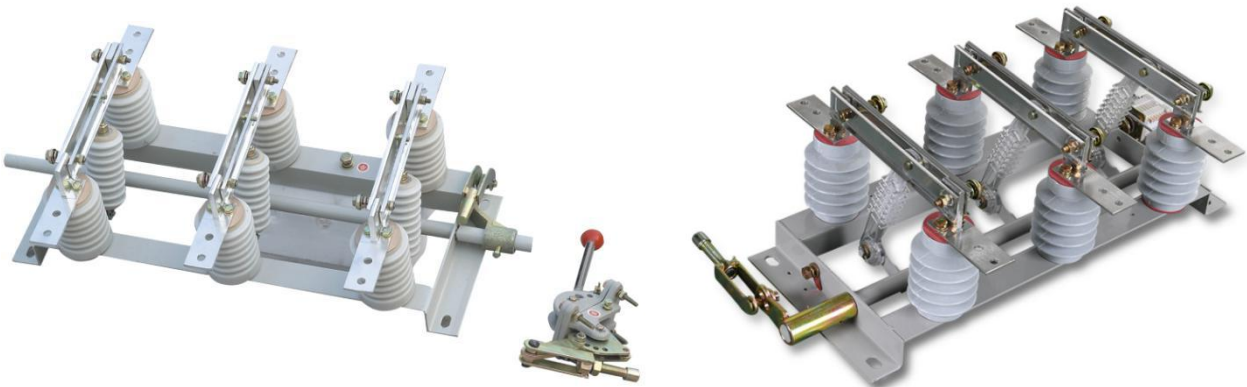




GN19-12(C) Series

Indoor High Voltage Disconnect Switch

GN19-12(C) indoor HV disconnect switch applies to power system of rated voltage 12kV, AC 50/60Hz. It is equipped with CS6-1 manual-operating mechanism and is used to break and make circuit under no-load. There are additional pollution type, high-altitude type and power indicating type.



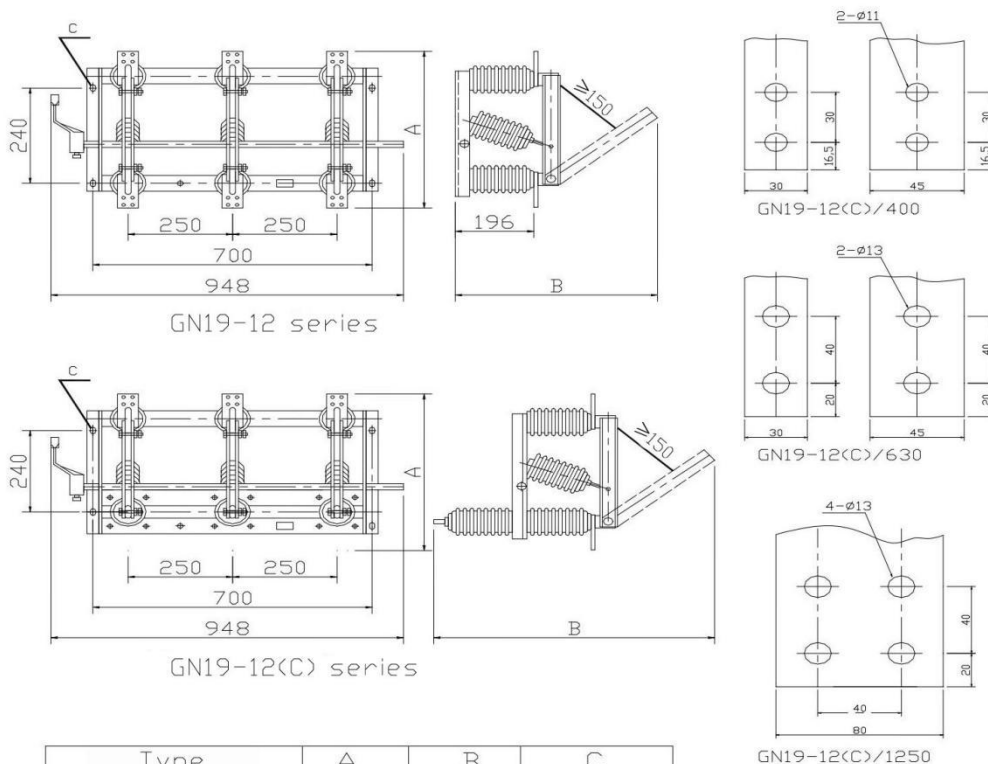
※ Environmental Conditions

- ◆ Ambient temperature: $-25^{\circ}\text{C} \sim +40^{\circ}\text{C}$;
- ◆ Altitude: $\leq 1000\text{m}$;
- ◆ Relative humidity: daily average $\leq 95\%$, monthly average $\leq 90\%$;
- ◆ Earthquake intensity: ≤ 8 level;
- ◆ Installation places: no fire, explosion hazard, serious filthy, chemical corrosion or severe Vibration.

※ Main Technical Parameters

| Type | Rated voltage (kV) | Rated current (A) | 4s thermal stability current (kA) | Dynamic stability current (kA) |
|--------------------|--------------------|-------------------|-----------------------------------|--------------------------------|
| GN19-12/400-12.5 | 12 | 400 | 12.5 | 31.5 |
| GN19-12/630-20 | | 630 | 20 | 50 |
| GN19-12/1000-31.5 | | 1000 | 31.5 | 80 |
| GN19-12/1250-31.5 | | 1250 | 31.5 | 80 |
| GN19-12C/400-12.5 | | 400 | 12.5 | 31.5 |
| GN19-12C/630-20 | | 630 | 20 | 50 |
| GN19-12C/1000-31.5 | | 1000 | 31.5 | 80 |
| GN19-12C/1250-31.5 | | 1250 | 31.5 | 80 |

※ General Structure Drawing and Installation Size (unit: mm)



| Type | A | B | C |
|--------------------|-----|-----|---------|
| GN19-12/400 | 450 | 446 | 4-14*24 |
| GN19-12/630 | 470 | 446 | |
| GN19-12/1000/1250 | 510 | 500 | 4-18*28 |
| GN19-12C/400 | 420 | 690 | 4-14*24 |
| GN19-12C/630 | 430 | 690 | |
| GN19-12C/1000/1250 | 470 | 745 | 4-18*28 |